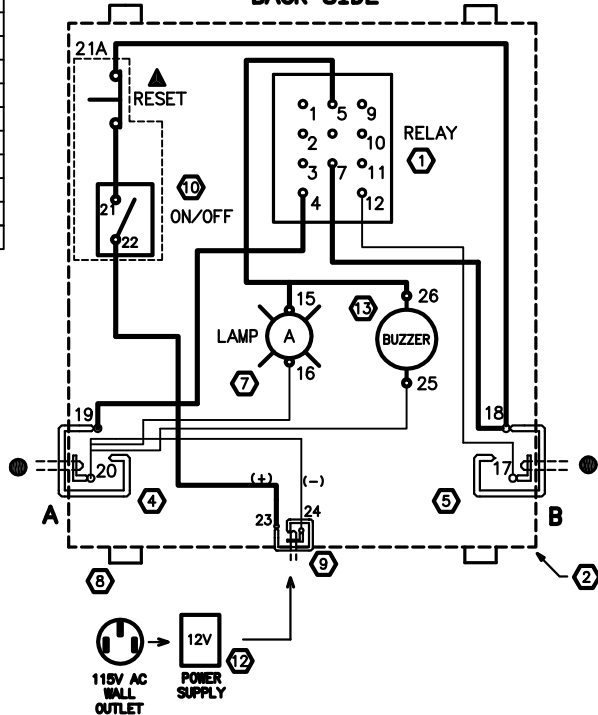


**WIRE COLOR CODING
(MASTER BOX)**

WIRE	COLOR	
	RED	WHITIE
4-19	X	
5-26	X	
7-18	X	
13-21	X	
14-18	X	
15-26	X	
22-23	X	
12-17		X
16-20		X
20-25		X
24-20		X

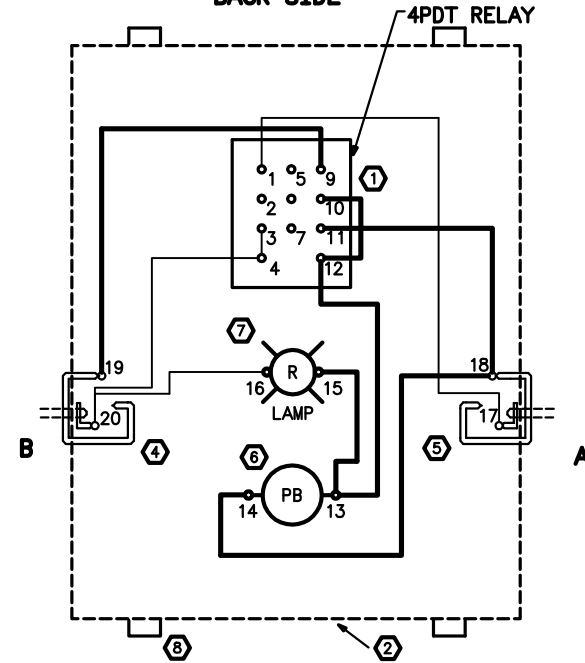
**MASTER BOX
WIRING DIAGRAM
BACK SIDE**



**WIRE COLOR CODING
(STUDENT BOX)**

WIRE	COLOR	
	RED	WHITIE
9-19	X	
10-12	X	
12-13	X	
13-15	X	
14-18	X	
11-18	X	
1-17		X
16-20		X
4-20		X
3-4		X

**STUDENT BOX
WIRING DIAGRAM
BACK SIDE**



UNIT PARTS LIST

ITEM DESCRIPTION	ITEM	R.S. CAT. #	STUDENT	MASTER	QUANTITY	COST	CONNECTION WIRE #, #
RELAY, 12 V DC, 4PDT	1	275-214	X	X	1	\$6.39	1 TO 12
BOX-6L X 3W X 2H	2	270-1805	X	X	1	\$3.69	N/A
6 FT. CORD WITH END PLUGS	3	42-2381	X	X	1	\$3.49	N/A
END CONNECTORS	4 & 5	274-252	X	X	1 PAIR	\$1.99	17, 18, 19, 20
PUSH BUTTON (NORMALLY OPEN)	6	275-609	X		1	\$2.69	13, 14
LAMP - RED 1/2 OR 1/4" DIA.	7	272-336 OR 1	X	X	1	\$2.59	15, 16
RUBBER CUSHION FEET	8	64-2346	X	X	1 SET	\$1.99	N/A
JACK FOR 120V AC TO 12V DC	9	274-251		X	1	\$2.49	N/A
ROCKER SWITCH	10	275-712		X	1	\$2.99	21, (21A), 22
POWER SUPPLY /W ADAPTOR PLUG	12	273-1773 / 273-709		X	1	\$12.99	23, 24
BUZZER	13	275-039		X	1	\$2.99	25, 26

* COMBINES ON/OFF SWITCH AND RESET IN 1 UNIT

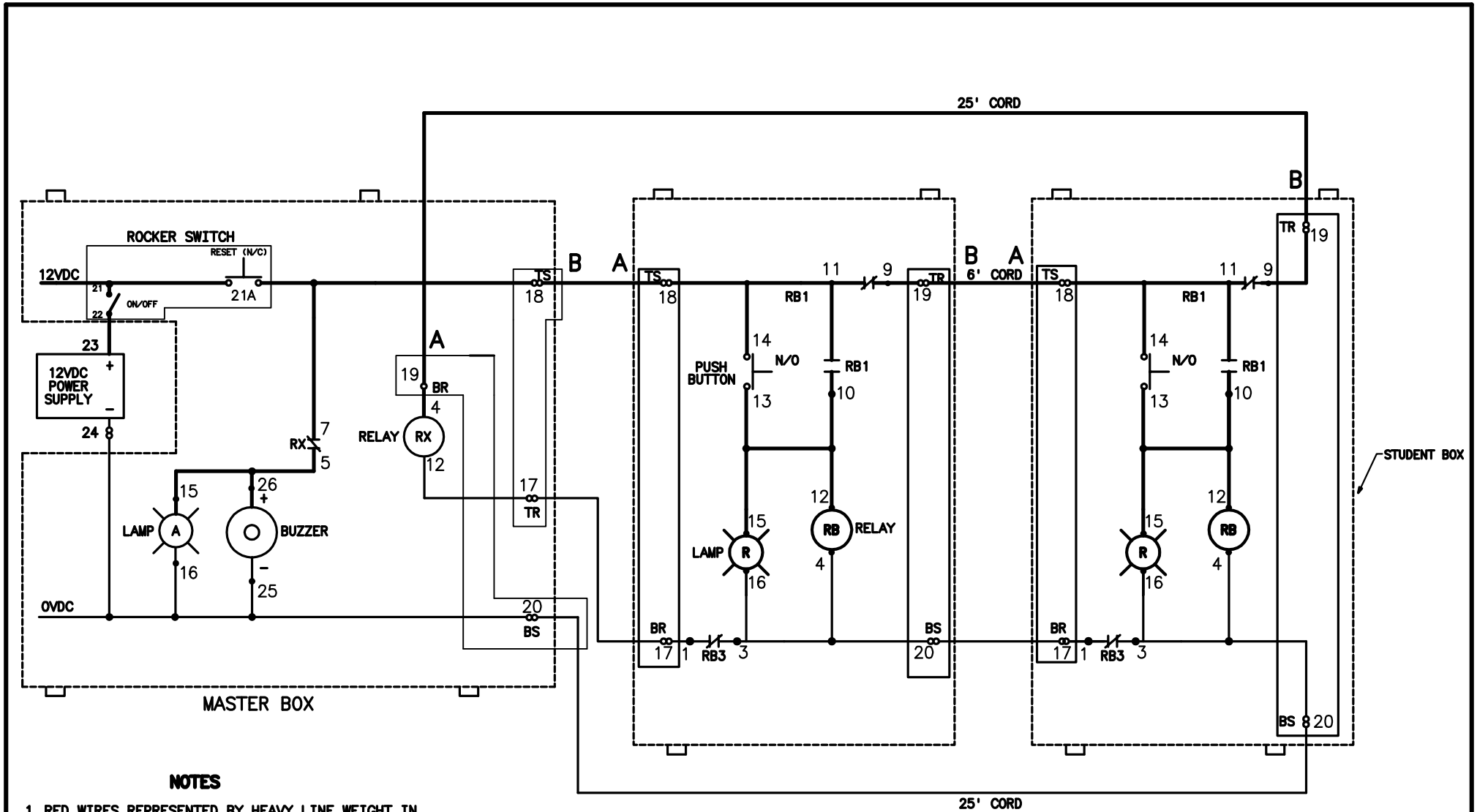
ITEMS INDICATED IN WIRING DIAGRAM BY: ○

▲ OPTIONAL NORMALLY CLOSED RESET BUTTON R.S. CAT.# 900-6519

● OPTIONAL 25' EXTENSION CABLE (TWO) R.S. CAT.# 42-2379B
(FOR REACHING LONGER DISTANCES)

NOTES

1. RED WIRES REPRESENTED BY HEAVY LINE WEIGHT IN PRINTOUT. (+ FEED)
2. EACH TEAM SET INCLUDES 8 STUDENT BOXES AND ONE MASTER BOX



NOTES

1. RED WIRES REPRESENTED BY HEAVY LINE WEIGHT IN PRINTOUT. (POSITIVE FEED)
2. EACH TEAM SET INCLUDES 8 STUDENT BOXES AND ONE MASTER BOX

BUZZER SYSTEM SCHEMATIC DIAGRAM