

*A Publication of the  
National Wildfire  
Coordinating Group*



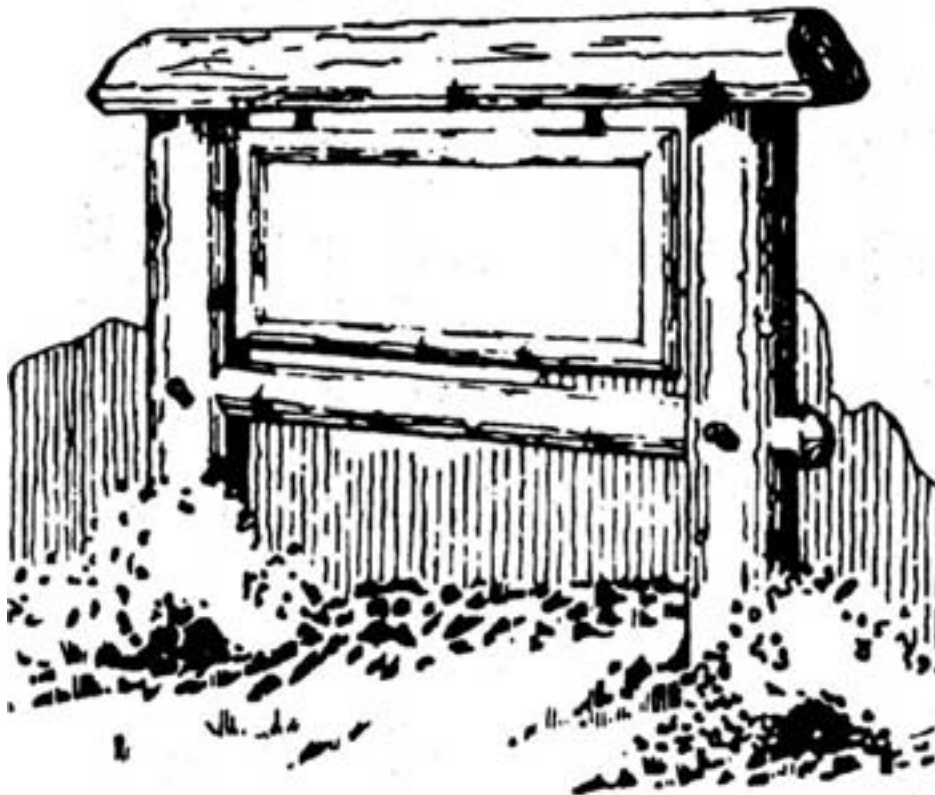
# Wildfire Prevention Sign and Poster Guide

**PMS 469**

**July 2005**

---

**NFES 2753**



# Wildfire Prevention Sign and Poster Guide

PMS 469

July 2005

---

NFES 2753

A publication of the NWCG Wildland Fire Education Working Team

Written and compiled by Peter Martin

Consultation by Jeannette Hartog

---

Additional copies of this publication may be ordered from: National Interagency Fire Center, Attn: Great Basin Cache Supply Office, 3833 S. Development Avenue, Boise ID 83705. Order NFES 2753.

---

This document, and other Wildfire Prevention Guides, is available in PDF format at the following website:

<http://www.nwcg.gov>

# Preface

This wildfire prevention guide is a project of the National Wildfire Coordinating Group and is one in a series designed to provide information and guidance for personnel who have interests and/or responsibilities in fire prevention. The goal of this series is to improve and enhance wildfire prevention programs and to facilitate the achievement of NWCG program goals.

Each guide in the series addresses an individual component of a fire prevention program. In addition to providing insight and useful information, each guide suggests implementation strategies and examples for utilizing this information.

Each wildfire prevention guide has been developed by fire prevention specialists and subject matter experts in the appropriate area.

NWCG Wildfire Prevention Guide development:

- Conducting School Programs (1996)
- Event Management (1996)
- Wildfire Prevention Marketing (1996)
- Wildfire Prevention and the Media (1998)
- Wildfire Prevention Strategies (1998)
- Effective Wildfire Prevention Patrol (1998)
- Recreation Area Fire Prevention (1999)
- Fire Communication and Education (1999)
- Fire Education Exhibits and Displays (1999)
- Industrial Operations Fire Prevention Guide (1999)
- Establishing Fire Prevention Education Cooperative Programs and Partnerships (1999)
- Participating on Wildland Fire Prevention Education Teams Guide (2005)
- Wildfire Prevention Sign and Poster Guide (2005)



# Contents

<b>1.0 Introduction</b>	
Definitions for signs and posters .....	1
<b>2.0 Principles and Guidelines</b>	
Effectiveness of signs and posters .....	2
Sign placement and installation .....	3
Sign characteristics .....	8
Helpful rules for developing your message.....	8
Lettering sizes .....	9
Abbreviations.....	10
Symbol sizes .....	10
Sign substrate materials .....	11
Sign supports .....	13
Sign maintenance.....	15
<b>3.0 Posters</b>	
Types of messages .....	16
Application .....	17
Message selection .....	18
Poster maintenance .....	20
Sources of posters .....	21
Poster mounts selection and designs .....	24
<b>4.0 Plans and Documentation</b>	
Prevention sign plan contents .....	35
<b>5.0 Fire Danger Rating Sign</b>	
Placement.....	38

National Fire Danger Rating System.....	39
Fire Wheel Rating sign .....	40
Smokey Bear fire danger sign .....	41

**6.0 Signs for Special Locations**

Range poster .....	44
Bill boards.....	44
Sequential signs .....	45
Burma Shave style .....	45
Banners .....	46
Campfire stakes .....	47
Information stations.....	49

**Figures**

Figure 2-1 Typical installations for low-volume rural roads.....	6
Figure 2-2 Driver’s Cone of Vision .....	7
Figure 2-3 Breakaway sign support guidelines.....	14
Figure 3-1 Large size display style .....	25
Figure 3-2 Large size sliding panel style .....	26
Figure 3-3 Medium size rustic style .....	29
Figure 3-4 Medium size simple styles #1 and #2 .....	30
Figure 3-5 Small poster mount for 12”x18” .....	32
Figure 3-6 Small poster mount for 12”x14” .....	33

**Appendices**

Appendix A: Sample wildfire prevention sign plan .....	51
Appendix B: Individual sign inventory template.....	59
Appendix C: Samples of wildfire posters and signs .....	65
Appendix D: Sources for additional information .....	91

# Introduction

## 1.0

This guide provides an orientation to wildfire prevention signs located primarily along roadways, and some basic principles for planning, acquiring, installing, and maintaining fire prevention signs. These principles and guidelines will help fire prevention specialists create a consistent, effective, and cost-efficient signing program that meets their prevention plan objectives.

Throughout this guide “signs” will generally refer to permanently installed notices constructed of wood, metal, or fiberglass. “Posters” refer to temporary notices which are usually constructed of cardstock, cardboard, or plastic.

Wildfire prevention signs located next to roads should be designed to be read from passing vehicles. These signs are not meant to serve as bulletin boards or interpretive sites. Under normal driving conditions there is little time between being close enough to read the sign and passing the sign. They are a means to communicate short messages you believe are important for visitors to your administrative unit. There are three types of wildfire prevention messages:

- **Informational** - advises the visitor of ways to prevent fire and the consequences of carelessness, and
- **Regulatory** - keeps the visitor informed about what they must do to prevent fires, and
- **Prohibitive** - states emphatically that certain acts creating fire risks are prohibited.

The NWCG **Wildfire Prevention Strategies Guide**, NFES 1572, provides useful information to help you select effective fire prevention communication methods for your unit. Roadside signing is only one of a variety of wildfire prevention communication methods. Where signing is the selected method, this Wildfire Prevention Sign Guide will provide the help and information necessary to create and maintain an effective wildfire prevention signing program.

# Principles and Guidelines

## 2.0

### Objective

This chapter provides basic principles, standards, and guidelines for the placement, installation, and maintenance of wildfire prevention signs and posters.

### Effectiveness of Signs and Posters

To effectively convey the appropriate wildfire prevention message, prevention signs and posters need to be properly located, installed, and maintained. To be effective signs and posters should:

- **Convey the proper message for their location**
  - Identify the target audience
  - Display the appropriate message for the activity at that location
  - Messages must be up-to-date
  
- **Convey a clear and simple message**
  
- **Command attention**
  - Fire prevention signs and posters should be located to be as conspicuous as possible
  - Avoid placing your signs and posters in areas full of other signs and posters
  
- **Generate respect for your organization and the environment.** Poorly maintained signs and posters imply the message isn't important. Avoid posting signs on trees, fence posts or other "handy" locations.



- **Be located to give adequate time for viewer response.**
- **Display signs and posters on proper and well-maintained mounts.** Keep sign and poster mountings in good condition and clear of vegetation and clutter. Promptly replace signs and posters that are worn, faded, damaged or vandalized.
- **Immediately remove signs and posters that no longer reflect conditions or no longer convey the appropriate fire prevention message.** Example, “Extreme Fire Danger” in three feet of snow.

## **Placement and Installation**

Signs should be located with both the viewer and the message in mind. When selecting a site consider if the sign will be visible and readable. Strive to maximize both elements. Select locations which maximize the opportunity for the sign to convey its intended message. For example, a campfire message is more appropriate and effective next to the travel route leading to a popular camping area than it would be if located in an urban area.

When selecting a site location ask yourself these questions:

1. Why do I think I need a sign here?
2. Would some other communication media do a better job?
3. Who am I trying to reach?
4. What is the appropriate message?

Useful locations for a fire prevention sign:

- Sites where major travel routes enter protected lands
- Local roads leaving highways to enter protected lands
- En route to high use recreational areas
- Key locations necessary to manage restrictions or closures
- Routes to special areas with specific fire problems requiring special signing

## Placement

Start by checking for all applicable rules and procedures your organization may have regarding the placement of signs.

As a general rule, place signs on the right hand side of the roadway as close to the standard roadway as possible. Do not lose the effectiveness of the primary poster by mounting two posters back to back.

Consider the following guidelines when selecting sign installation locations: (figure 2-1)

1. Obtain necessary approval from the appropriate jurisdiction or owner when installing signs on roads. In some places you may need a written agreement.
2. Place signs where they provide adequate time for viewer response, considering such things as approach, speed, and road conditions. (figure 2-2)
3. Select locations that minimize viewing obstructions. Some placement locations to be avoided include:
  - Dips in the roadway
  - On curves or just beyond the crest of a hill
  - Where the sign intrudes upon a special natural or historic setting
  - Where the sign may interfere with the normal operation of a business or industry
  - Too close to trees or other foliage that could cover the face of the sign
  - Snow removal areas
  - Blocking the field of view at intersections

4. Guidelines for the installation of signs along roadsides are as follows:

- **Height** –Mount your sign so it is comfortable to view from the driver’s level in the vehicle. The bottom of the sign should be a minimum of five feet above the level of the roadway.
- **Lateral Clearance** -The distance from the edge of the roadway to the inner edge of the sign can range from six to twelve feet. The normal minimum is six feet. In cases where roadside topography precludes the six-foot minimum, the inner edge of the sign should be no closer than two feet from the outer edge of a road's shoulder. Some right-of-way owners may require greater clearances so check for local requirements.
- **Canting** –Signs are normally mounted at approximate right angles to oncoming traffic. It may be necessary to rotate a reflectorized sign slightly off 90 degrees to avoid reflection off of the sign face back into the driver’s eyes. An angle of approximately 93 degrees to the line of approaching traffic is recommended by the Federal Highway Administration. Sign faces are normally vertical. On grades it may be desirable to tilt a sign three degrees back from the vertical to improve readability.

5. When choosing and maintaining a site for a sign avoid "sign clutter." Sign clutter occurs when new and different signs are added to a location over time. Clutter creates an information overload and forces viewers to mentally wade through a mass of uncoordinated messages to obtain the information they need. In the process, your fire prevention message can be overlooked and its effectiveness nullified.

6. Keeping all these guidelines in mind, when you have selected a site, set up a temporary sign and drive past it. Ask yourself, does it work?

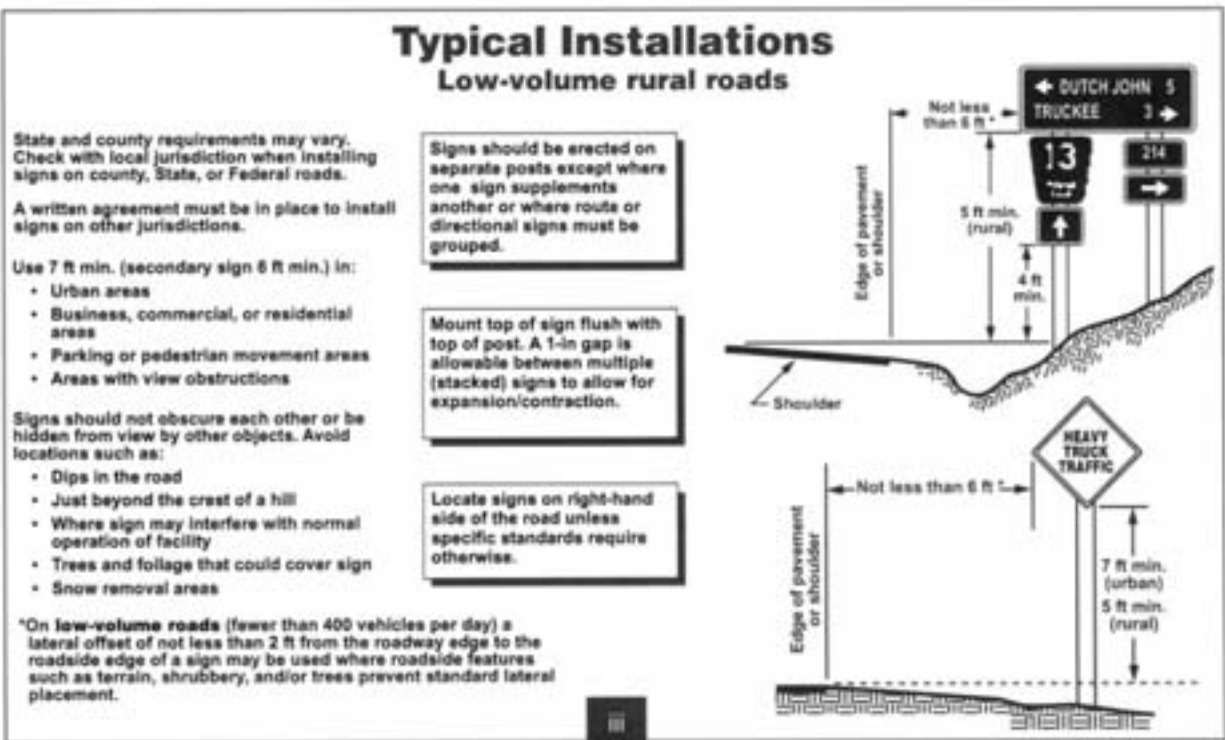


Figure 2-1 from Sign Installation Field Guide, July 2003, USDA Forest Service, Missoula Technology and Development Center. This guide contains information needed to install signs in accordance with the *Manual of Uniform Traffic Control Devices*.

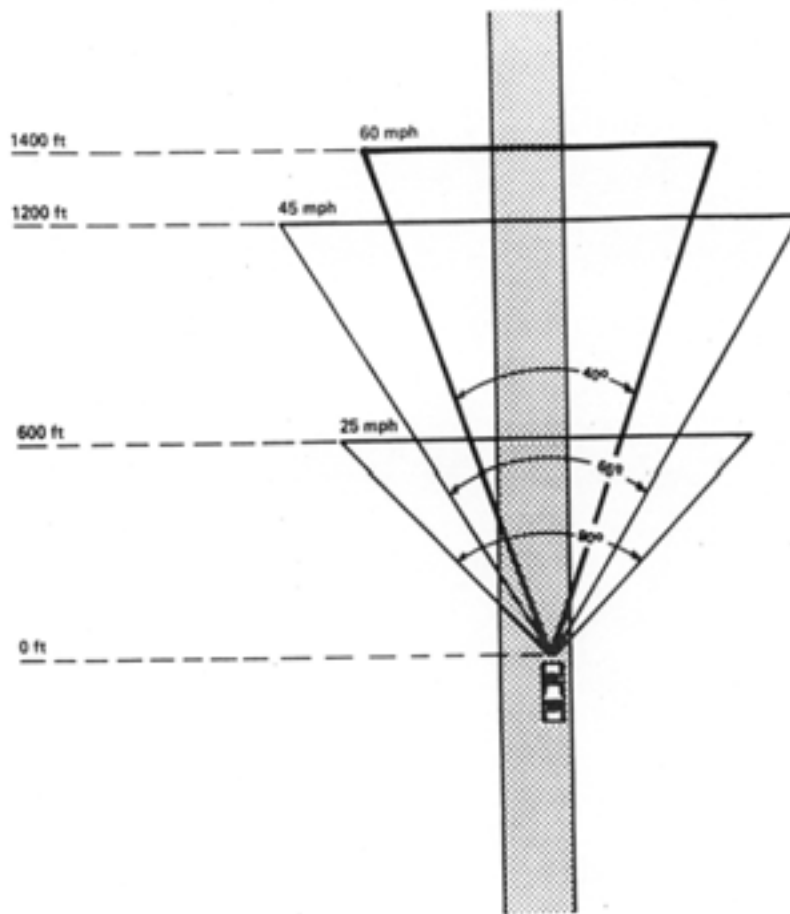


Figure 2-2, Driver's Cone of Vision Design and placement of signs on roads must be compatible with vehicle speed, traffic pattern, and the driver's visual perception responses.

- As speed increases, driver concentration increases.
- As speed decreases, driver concentration decreases. At 25 mph, the natural eye focus point lies 600 feet ahead of the car; at 45 mph it lies 1,200 feet ahead of the car.
- As speed increases, the driver's peripheral vision decreases. More horizontal clearance is possible in sign placement on low speed roads.
- As speed increases, foreground details begin to fade. At 40 mph the closest point of clear vision lies 80 feet ahead of the car. At 60 mph the driver can see clearly only that detail within an area 110 to 1,400 feet ahead of the car and within an angle of 40 degrees. At that speed, the distance between 110 and 1,400 feet is traveled in less than 15 seconds.

## **Sign Characteristics**

In order to achieve optimum readability, sign and poster sizes will vary depending on the speed the viewer is expected to be traveling and the distance between the sign and the viewer. Messages must be short and the size of the lettering needs to match the vehicle speed allowed at that location.

## **Helpful Suggestions for Developing Your Message**

Consider the following road sign guidelines from the National Park Service when designing your wildfire prevention signs.

1. Maximum of eight words per sign.
2. Maximum of four words per message except where proper names are used.
3. For signs with more than one message the following applies:
  - a. Maximum of three worded messages per sign.
  - b. Maximum of four words per message.
  - c. Word total not to exceed eight words.
4. If more than eight words are contained in three messages, the third message should be placed on a separate sign.
5. For signs combining both worded and symbol messages the following applies:
  - a. Maximum of three symbol plates per sign, each symbol being a separate message.
  - b. Maximum of one worded message per sign.
  - c. Total of three messages maximum.
6. To keep messages short use commonly recognized abbreviations.
7. Consider the use of three sequential signs with one message per sign.

## Lettering Sizes

Letter size is a function of the viewing distance and the amount of time available for viewing.

### Viewed from a moving vehicle

Use the following minimum letter sizes when designing signs intended to be viewed from a moving vehicle.

Over 50 mph	6" letters
35 to 50 mph	5" letters
20 to 35 mph	4" letters
Under 20 mph	3" letters

### Motorized Trails

Over 25 mph	3" letters
Under 25 mph	2" letters

### Viewed from a stationary position

#### Non-motorized Trail

1" letters are adequate for most non-motorized trail situations.

#### Interpretive/Informational Signs

Letter size for interpretive, safety, and other informational signs is dependent upon the distance from which the message is to be viewed:

From 4 feet or less	5/8" letters
From 5 to 7 feet	3/4" letters
From 8 to 12 feet	1" letters
From 13 to 20 feet	2" letters
From over 20 feet	3" letters

## Abbreviations

Use complete words or symbols in sign messages whenever possible. Only use abbreviations where the form has a clear meaning to the viewer.

## Symbol Sizes

Use standard symbols in situations where they are more effective than conventional word message signs. Symbol size also is a function of the viewing distance and the amount of time available for viewing. Use the following minimum symbol sizes for the type of use indicated:

### Roads

0 -25 mph	12"
26 -50 mph	18"
Over 50 mph	24"

### Motorized Trails

0 -25 mph	12"
Over 25 mph	18"

### Non-motorized Trails

Viewed from 0 -20 feet	3 - 4"
Viewed from 21 -75 feet	6"
Viewed from over 75 feet	8"

### Waterways

Viewed from 0 -150 feet	12"
Viewed from over 150 feet	18"



## Substrate Materials

Signs can be manufactured from a variety of materials including wood, metals, plastics, fiberglass, and cardboard. These materials are called “substrates”. The “message” is either painted, printed (usually by silk screening) or routed onto the substrate. Other materials commonly used in the manufacturing process include reflective sheeting, paint, stain, and clear vinyl edge film.

As a general rule, the softer or more porous a substrate material, the better paints will penetrate the surface and create a solid bond. The harder or more slick the material, the more likely the paint is to stand and dry on the surface. The softer substrates are more likely to be damaged by deep gouging by vandals. The harder substrates are more likely to resist gouging and destruction of the substrate, but the paint is more easily chipped away. The harder and the less porous the surface, the better decals and pressed-on vinyl will adhere.

One disadvantage of plywood is that porcupines may eat the sign. Porcupines will eat anything that has glue on it including the plywood.

Some commonly used substrates:

- **High Density Overlay (HDO) Plywood** Marine-quality ¾” plywood with one side covered with a high density, slick material (the overlay) to which adhesives cling quite strongly. Commonly used as the substrate for pressed-on materials such as reflective vinyl. It weathers well.
- **Medium Density Overlay (MDO) Plywood** Marine-quality ¾” plywood with one side covered with a smooth but more porous overlay than HDO. This takes paint much better than HDO with the porosity of the overlay allowing the paint to bond with the substrate better. This material provides a smooth stable surface for routing, is economical, and is easily maintained.
- **Medium Density Fiberboard** A pressed-particle board product that takes paint (silk screening) very well. Weathers well.
- **Fiberglass Reinforced Plastic (Polyplate)** This material works well for smaller signs. Performance is similar to HDO except it is not appealing to

porcupines. Signs exceeding 36 inches in any unsupported dimension requires cross bracing or mounting on a plywood backing.

- **Aluminum** This material is usually limited to smaller sized signs. Message is usually silk-screened onto substrate. Signs greater than 48 inches require cross bracing or mounting on a plywood backing. Aluminum is less susceptible to porcupine damage but is more easily damaged by bullets and other forms of vandalism. The expansion and contraction of the material may contribute to early sign failure.
- **Tyvek** A fibrous, paper-like material that has good short-term resistance to inclement weather and to animal damage. Very flexible and light weight. Easily staples to wood.
- **Cardboard** A paper product that degrades quickly in inclement weather. Takes paint (silk screen) well, depending on the slickness of the surface. Easily nailed or stapled. Used primarily for seasonal posters.
- **Porcelain Enamel on Steel** This material is highly resistant to scratches, impacts, and weathering. Most often used on interpretive signs, it offers a very appealing appearance but at a high initial and replacement cost. It lends itself well to the use of graphics. While expensive it has a lifetime of up to 20 years.
- **Redwood, Cedar, Oak lumber** These are long lasting materials that are normally routed or sand-blasted. They are normally stained. The materials are expensive and almost always crack with age. White oak has proven to be superior to red oak.
- **Fiberglass** Acrylic material reinforced with glass fibers offers an alternative substrate for routing that has high durability and weather-ability.
- **Fiberglass Embedment** In this process a paper image is embedded in a fiberglass epoxy-resin panel. While initially a high cost, the money is invested in the preparation of the first paper image. Second, third, and subsequent copies can be quickly and cheaply made at the time of the original and put aside for later embedment at relatively low cost to replace a damaged or stolen original. The fiberglass resists scratching, impact, and weathering very well.
- **Plastics** A variety of plastics are used in sign making.

## **Sign Supports**

Signs should be individually placed on separate posts or supports, except where one sign supplements another or where route markers and directional signs must be grouped. Signs should be located so they do not obscure each other or are hidden by other objects.

Posts are used to hold signs in a permanent position and to resist swaying in the wind. Wood or metal posts are generally used. In areas where sign supports cannot be sufficiently offset from the road edge, use a suitable breakaway or yielding design, figure 2-3. Concrete bases for sign posts should be flush with the ground level.

Metal posts should be unpainted galvanized metal. All hardware to affix the signs to either wood or metal posts should be either aluminum or galvanized.

After a sign installation is complete, the ends of the bolts should be snipped off and the threads disfigured or fractured to prevent removal of the nut by vandals.

The number and size of posts per sign should be proportional to the size of the sign. Generally, for signs up to 36 inches across, use one post. For signs from 37 inches to 72 inches across, use two posts. For signs from 72 inches to 96 inches wide, use three posts.

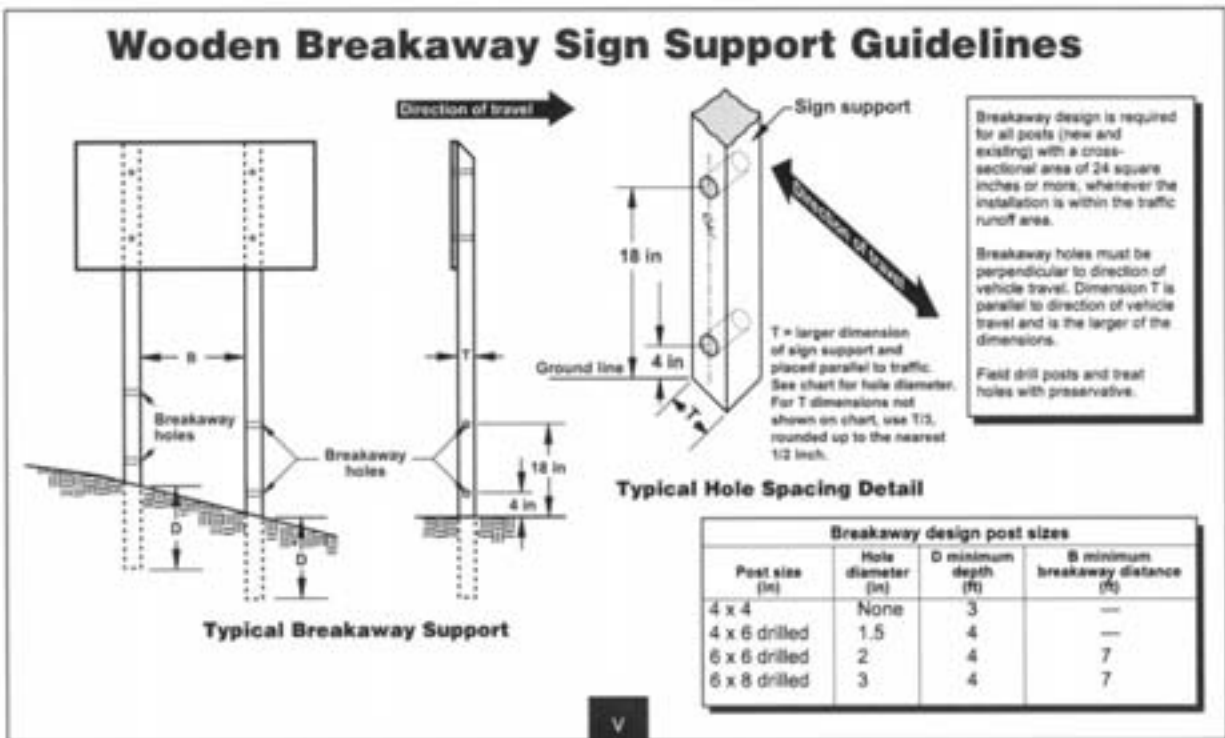


Figure 2-3 from Sign Installation Field Guide, July 2003, USDA Forest Service, Missoula Technology and Development Center. This guide contains information needed to install signs in accordance with the *Manual of Uniform Traffic Control Devices*.

## **Poster Mounts**

See chapter 3.0 for designs.

## **Sign Maintenance**

Signs should be maintained to ensure they can be easily read. Replace or repair signs that have been defaced or the lettering has been marred.

Avoid painting the posts. This will just generate unnecessary maintenance you will then have to continue periodically during the life of the sign.

Remove weeds, brush, and other obstacles that obstruct the visibility of the sign or detract from the message. Don't remove all the vegetation surrounding the site. Careful pruning helps soften the lines by making the sign appear like it belongs in the setting.

Remove or cover signs when they are no longer needed or when the message is no longer applicable and timely. Wildfire prevention signs left out during the winter convey a poor impression of your organization and the effectiveness of the sign is lost.

# Posters

# 3.0

## Introduction

Fire prevention posters are used to meet a seasonal or non-permanent need. They are normally constructed of cardstock, cardboard, or plastic. Posters range in size from small notices for use on recreation area bulletin boards to large highway posters.

## Types of Messages

- **General awareness or informational posters** provide reminders or information such as “Crush Smokes.”
- **Regulatory posters** provide information on regulations established by law to prevent wildfires such as “Spark Arrester Required.”
- **Prohibitive posters** provide the most current information prohibiting the use of fire or acts creating fire risk such as “No Campfires.” In order to adequately post a unit during periods of fire restrictions it is desirable to have a poster mount at each road entering the unit. Visitors can’t be expected to comply with special restrictions unless they are informed.

Signing effectiveness varies by wildfire cause and the predisposition of the audience. For example, campers and other recreational visitors who may cause an accidental fire are likely to be receptive to roadside fire prevention messages. Acceptance of the message is not a problem when the audience looks favorably upon fire prevention. A fire prevention sign that reminds these visitors about safe fire use and extinguishing of campfires or local fire restrictions will be effective.

On the other hand when the audience is apathetic or ambivalent, such as an arsonist, that audience is likely to ignore or block out a fire prevention message. Signs and posters will not be an effective tool for that audience. In the example of arson-caused fire prevention, it may be more effective to target the recreational visitor and ask them to report the arsonist. The Wildfire Prevention Strategies

Guide, NFES 1572, can help you determine where and when signing is the proper technique for your targeted fire cause and audience.

## Application

When used correctly posters are an economical and effective method of reaching targeted audiences with timely messages. Posters relay information to the public in our absence. They may be your only public contact with visitors in certain locations.

Use the **largest posters** (54" x 44") only on high-speed highways (55 mph) and in situations where the scale of the country dwarfs their effect. Use these posters sparingly and place them far enough apart so that they do not appear to be repetitious.

Use **large-sized posters** (42" x 34") on roads with speeds of 40-50 mph. Limit the use of these posters to essential locations.

The **medium-sized poster** (44" x 16") is to be used on most low-speed, rural roads. This size is often the most effective as it most likely targets visitors who have left the highway and are directly en route to their destination. There are other poster messages available in this size to extend the use of these poster mounts in the off-fire season.

The **smaller posters**, such as 14" by 12", 12" by 14", 12" by 10" and 10" by 12" inches, are designed for pedestrian traffic, trails, campgrounds, trail heads, bulletin boards, and roadside rest areas. It is possible to create posters with explanatory text of restrictions for these sites because the visitor is walking past the sign and has time to stop and read the notice.

It is likely that most bulletin boards, interpretive sites, and roadside rest area signs are in place for purposes other than fire. Remember to coordinate your messages with the people who maintain these signs. This is an opportunity to share duties with others. "Can you post these for me?" and "What can I do for you?" in return for your help.

## Message Selection

In determining the appropriate message for a particular site you should consider the following:

- **What is the purpose of the sign or poster? What problem does it address? Is the message appropriate?** For example, “No Fireworks” is timely the week before and after the 4<sup>th</sup> of July but it is clearly out of season during the months of August and September.
- **What do we want that audience to do, feel, think, or know after seeing the sign?** I can have a campfire but they want me to put it out before leaving.
- **What is the appropriate message for the target audience?** For example, in off-highway-vehicle use areas the poster “Spark Arresters Required” with the graphics of a motorcycle is an example of an appropriate message for the activity.
- **Avoid posters with conflicting messages.** For example, when fire season started you did a great job posting “Drown Campfires” and “Use for Dead-Out Campfires” messages across your unit. And now fire season has progressed and your unit is applying campfire restrictions due to extreme fire danger. You will need to remove all those earlier educational messages as you post your campfire restriction messages to avoid creating conflict and confusion.
- **When possible, posters should communicate the desired message in a positive manner.** For example, during periods of extreme fire danger you may allow campfires in designated campgrounds. Use the campground bulletin board to post “Campfires OK”. A second example during campfire restrictions is to utilize the poster “Fire Restrictions Now in Effect-No Campfires, No Charcoal Grills, Stoves OK.” People react more favorably



when they are told something they want to hear and in this example you have provided information, alternatives, and positive reinforcement.

- **Posters should be selected so that their message and graphics reflect the vegetation of the area.** There are trees and forests in the background of many available posters and yet many wildlands don't have trees. It is more appropriate to use a poster such as "Be Extra Careful with Fire" (Oak and broadleaf graphics) in a deciduous forest environment than using the same poster in the juniper/sagebrush environment of the Great Basin. Similarly, "A Beautiful Forest Is A Matchless Sight" doesn't belong in a location without a forest!
- **Consider the use of closely spaced sequential messages on separate signs in special high-use areas or along high-speed roads.** Humans seem to remember well things in triplicate. We often prepare presentations using this "pattern of three". Famous speeches come in threes: "Friends, Romans, Countrymen...", or "Life, liberty, and the pursuit of happiness". Safety messages: "Stop, Drop, and Roll", "Stop, Look, and Listen", or "Axe, Shovel, and Water bucket are required for camping". There are a number of combinations that can be made for more effective messages. Several examples include:

	<b>Example A</b>	<b>Example B</b>	<b>Example C</b>
<b>Sign One</b>	1. Help Prevent Wildfires	1. Extreme Fire Danger	1. Be Fire Safe
<b>Sign Two</b>	2. Drown Campfires	2. Developed Campgrounds Only (Campfire symbol)	2. Please Clear Around Homes
<b>Sign Three</b>	3. Crush Smokes	3. Vehicles on Roads Only	3. Burning Permits Required

It is best to locate sequential signs on straight sections of road. The road speed will dictate how far apart the signs need to be to be effective. Sequential signs need to be far enough apart to have time for the viewer to read each sign and still be close enough together so that the viewer understands the signs and their message is connected. Driving past temporary sign setups will help get it right.

## **Poster Maintenance**

Posters should be in place at the beginning of fire season and removed at the end of the season. Poorly maintained, faded or outdated posters convey a poor impression of the organization to which they belong. Likewise, poorly maintained poster mounts detract from the message on the poster.

Be sure to remove seasonal-use posters when their purpose is served and replace them with an appropriate message. A poster such as “Fire Restrictions Now in Effect” doesn’t serve your organization when fire restrictions are no longer in place.

Years ago, a study by the USDA Forest Service Pacific Southwest Forest and Range Experiment Station found that posters do not lose their message effectiveness after extended exposure to the public. You can leave the same poster in place over time to achieve the desired result but it needs to be visible and well maintained.

Little more is needed than the appropriate poster and a staple gun. By the same token, it is important that the poster isn’t “flapping in the breeze.” Posters should be horizontal and sign mount posts should be vertical. Depending on the substrate material, some posters will expand and contract with temperature and moisture content so it is important to use a staple length that will keep the poster securely fastened to the board. Some locations cover their posters with chicken-wire to help secure the poster to the board.

Prior to stapling a new poster all staples must be removed from the mounting surface. This will allow the new poster to lie flat and it will remain as placed until

you return. It doesn't take long to remove a few staples and they can quickly build up over time.

Careful removal of staples allows posters to be reused. Most posters are now made from plastic and are weather-proof, fade resistant, and can be reused year after year. Reuse is going to save your prevention budget for additional activities.

Save your prevention budget with proper storage of posters and careful transport. Brand new posters can be "worn-out" simply by how you carry them around in your vehicle. Consider some type of case or large box to protect them from dirt and abuse. A simple case can be constructed for the duration of the fire season from a couple large pieces of cardboard and some duct tape.

Painted poster-mounts will require constant maintenance. When possible consider using boiled linseed instead of paint to protect the wood. It requires less maintenance and is quick and simple to brush or rub on. Be sure to promptly dispose of soiled rags or brushes properly as they are subject to spontaneous combustion.

## **Sources of Posters**

Some organizations may have their own sources for wildfire prevention posters. Clearly, you need to follow the direction of your organization.

## **UNICOR Sign Factory**

The UNICOR Sign Factory in Lompoc, California is the source of posters for the USDA Forest Service. UNICOR is the trade name for Federal Prison Industries, Inc., a wholly-owned U.S. Government corporation, established in 1934 as part of the Federal Prison System. They have an extensive poster catalog and they sell a field-tested high-quality product at a reasonable price. UNICOR is one of the best sources for posters and they will sell their posters to other wildland organizations

and fire departments besides the USDA Forest Service. The contact information for the UNICOR Sign Factory is:

Federal Prison Industries  
UNICOR Sign Factory  
3901 Kline Boulevard  
Lompoc, California 93436  
805-735-6211, fax 805-735-4507  
[www.unicor.gov](http://www.unicor.gov)

Sample designs of wildfire posters and signs available from UNICOR are found in Appendix C. Access the UNICOR website for their most current price list. To order posters fax your order to UNICOR and follow up your fax with a phone call to provide payment information. Do not put credit card information on your order form. Standard shelf stock orders are shipped within twenty working days.

In the case of a fire emergency UNICOR also offers fast delivery. In the event of a fire emergency request quick shipment and UNICOR will pull your order within 24-48 hours and ship via Federal Express on your Fed-Ex number.

## **Special Orders**

The UNICOR/Forest Service Memorandum of Understanding requires UNICOR to keep an inventory of shelf stock in order to respond to orders within a designated time limit. Most of these posters will have a USDA Forest Service shield printed on them.

You can special order any of the designs minus the USDA Forest Service shield or create your own poster or sign design. If you would like your organization's logo on the poster UNICOR is able to accommodate your special order needs and design. Special orders will take more time to design and print so make sure to plan

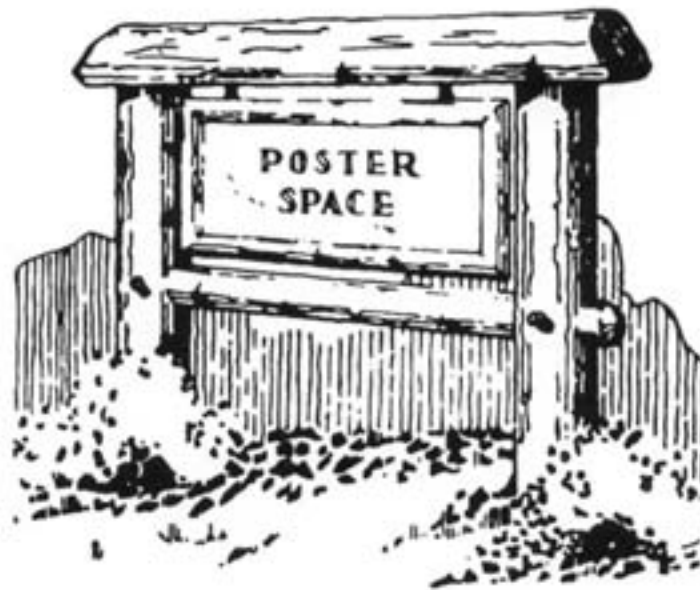
ahead and place your order before wildfire season. A “Request for Custom Sign Quote-Unicorn Sign Factory” form can be found at the end of appendix C.

## Poster Mounts Selection and Design

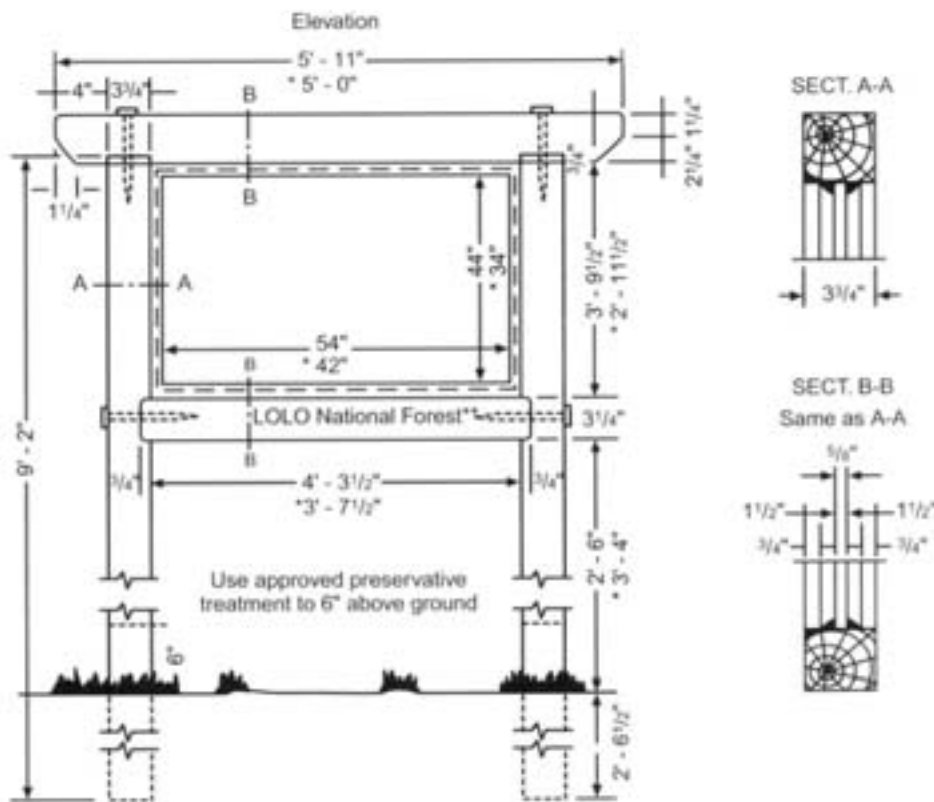
The following pages provide some design options for building your poster board mounts.

The designs in this guide range from cheap and simple to expensive and complex. Realistically, your budget and carpentry skills may have a lot to do with your selection of a design. Proper location, installation, and maintenance have more to do with the effectiveness of your sign program than the percentage of your budget spent on the sign mounts. Remember, most of the poster board mount is going to be covered up by the poster.

For instance, the medium-size rustic (below) poster board mount is great looking but it will require special tools and skills to construct and a crew to install it. If you have a limited budget you can probably sign your entire unit by using one of the simple styles for the cost of one or two rustic signs. You may want to consider the rustic style only for special recreation or other significant areas.



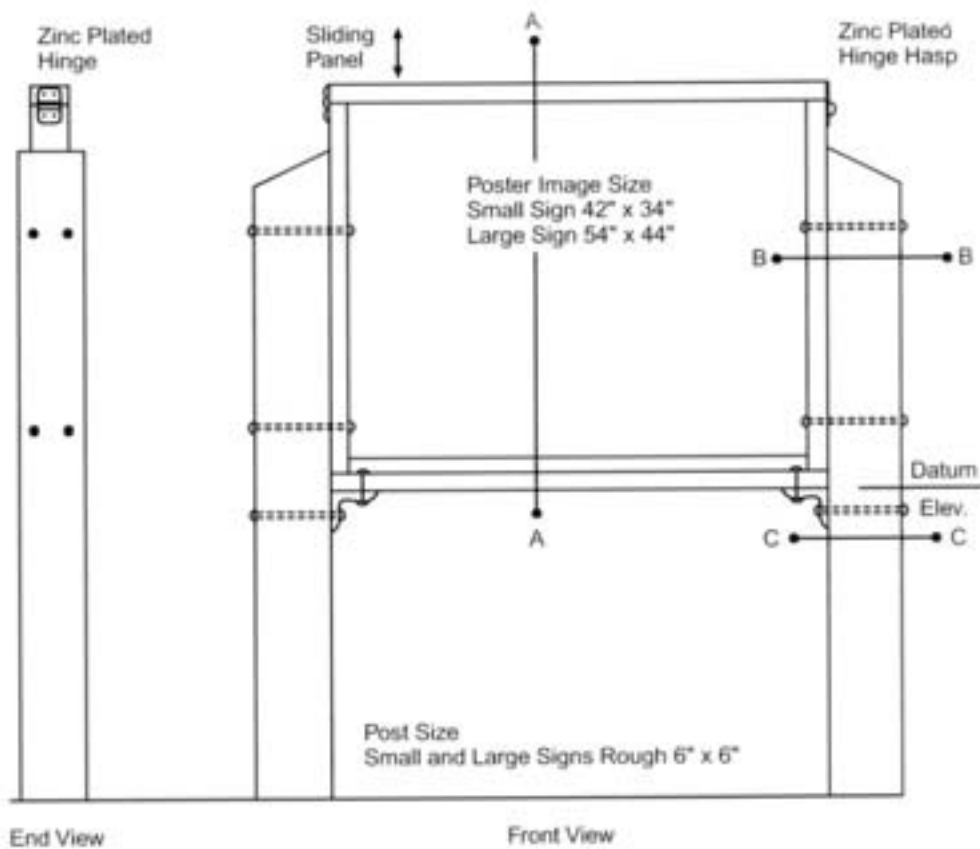
**Figure 3-1, Large Size Display Style**



NOTE: Normal Dimensions for 54" x 44" Std Size Poster  
 \* (Dimensions for 42" x 34" Std Size Poster)  
 \*\* Forest Identification Optional

Bill of Material				
No.	Actual Size	Length for 54" x 44"	Length for 42" x 34"	Item
2	3 3/4" x 3 3/4"	9' - 2"	9' - 2"	Vertical Posts
1	3 3/4" x 3 3/4"	5' - 11"	5' - 0"	Top Horizontal Bar
1	3 3/4" x 3 3/4"	4' - 9"	3' - 9"	Bottom Horizontal Bar
1	3/4"	16' - 4"	12' - 8"	Quarter Round
4	3/8"			Lag Bolts - Galvanized
60	60d	Brass or Copper Finishing Nails.		

**Figure 3-2, Large Size Sliding Panel Style**

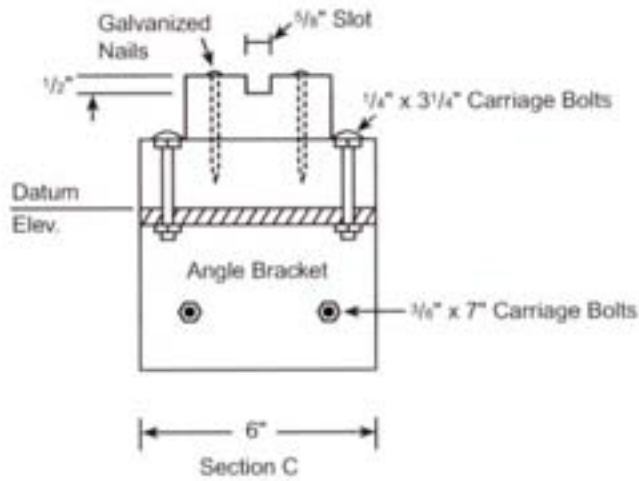
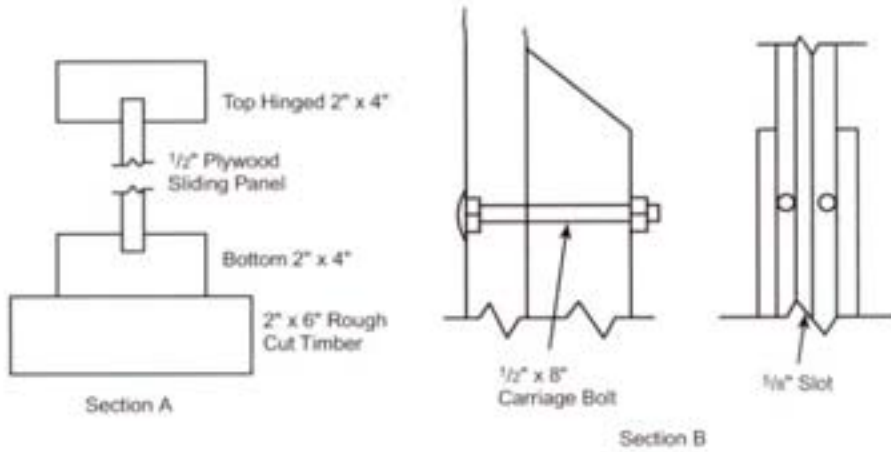


**Specifications:**

1. Treated 6"x6" posts approximately 3 feet into ground.
2. Stain or rustic finish (boiled linseed oil) center panel assembly.
3. Good design for snow country. Center panel should be removed for the winter when located next to a road in a snow plowing zone.



**-Large Size Sliding Panel Specifications continued-**

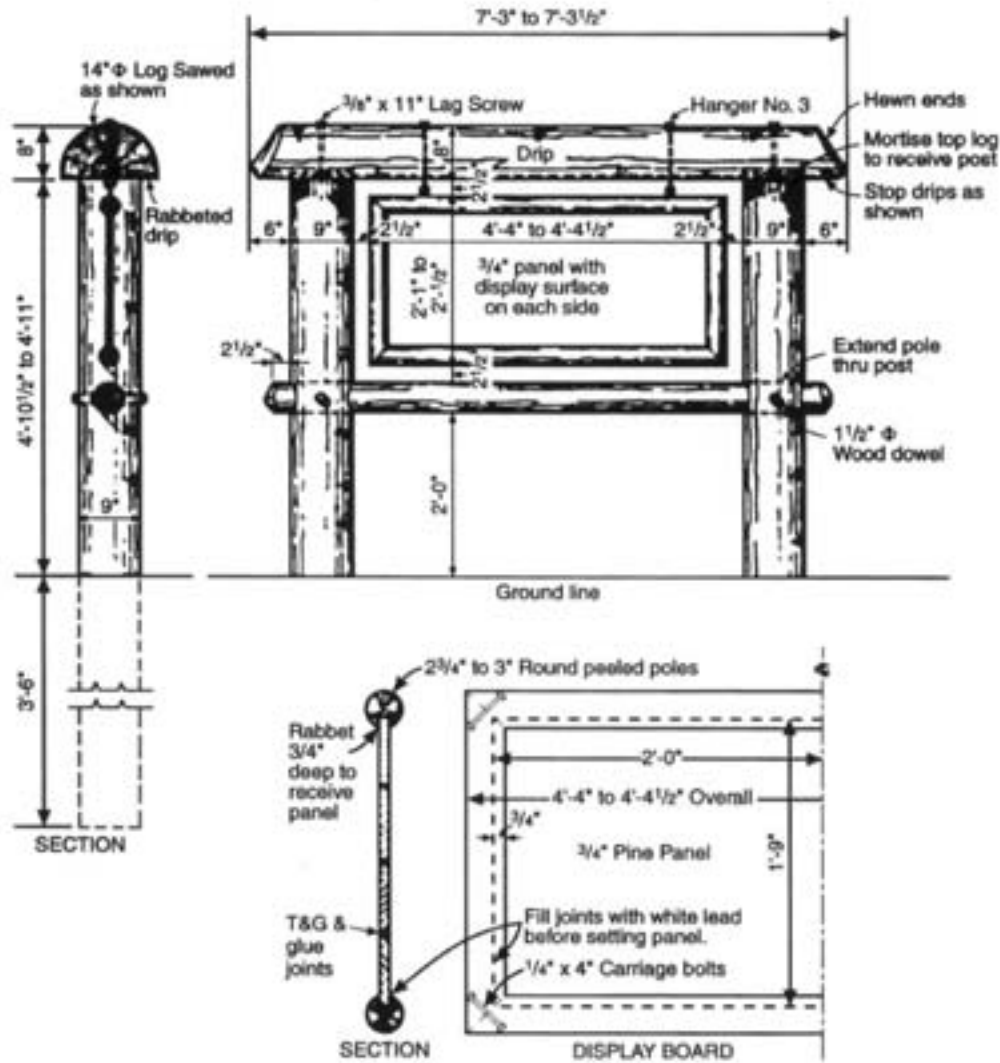


**-Large Size Sliding Panel Specifications continued-**

**Bill of Materials**

Item	Material	Small Poster		Large Poster		Remarks
		No	Size	No	Size	
Top	2" x 4"	1	46¼"	1	58¼"	See Sec A
Side Pcs.		2	35½"	2	45½"	See Sec B and C
Bottom Pc.		1	43"	1	55"	
Bottom Pc.	Rough 2" x 6"	1	46¼"	1	58¼"	See Sec A
Center Panel	½" Ext Plywood	1	35¼" x 43¼"	1	45¼" x 55¼"	See Sec C
Posts	Treated 6" x 6"	2	9'	2	9'	
Carriage Bolts		4	¼" x 3¼"	4	¼" x 3¼"	See Sec C
Carriage Bolts		4	⅜" x 7"	4	⅜" x 7"	See Sec C
Carriage Bolts		8	½" x 8"	8	½" x 8"	See Sec B
Hinge Hasp		1	4½" strap	1	4½" strap	
Butt Hinge		1	3" x 3"	1	3" x 3"	
Angle Brackets	Steel	2	4" x 4" x ¼" 6"			

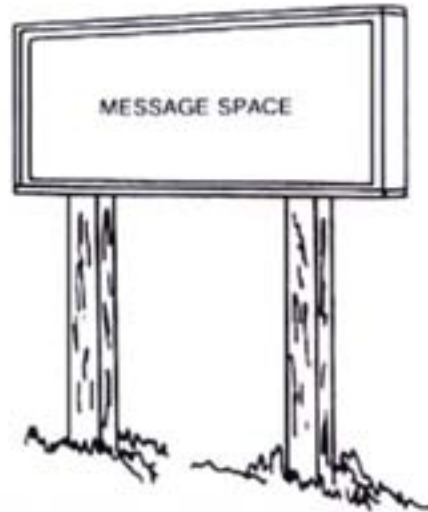
**Figure 3-3, Medium Size Rustic Style**



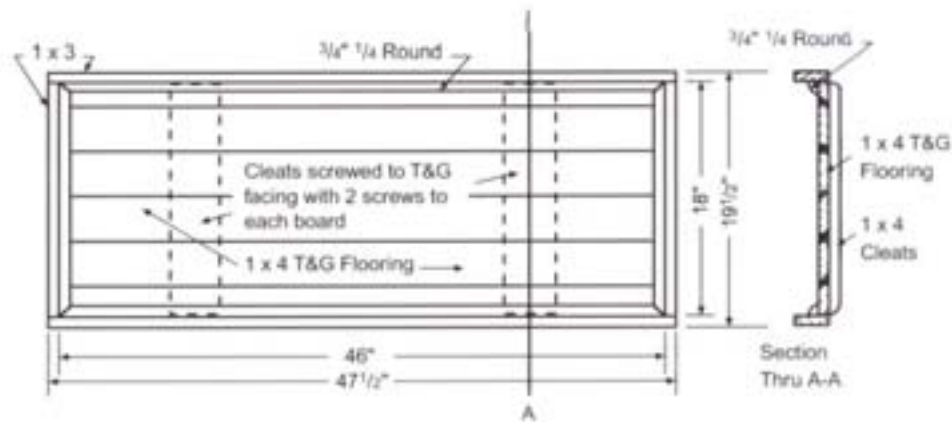
**Specifications:**

1. Hew ends of natural round members to a blunt point.
2. Allow dowels to project 3/4" from face of support.
3. Treat cut ends of posts with preservative to 6" above ground line.
4. Finish is rustic (boiled linseed oil) or stain.

**Figure 3-4, Medium Size Simple-Style**



**Simple Style Version #1**



**Specifications**

1. Use stock material, Pine #1 common or Douglas Fir #3 clear, 1" x 4" tongue and groove flooring. (This is a good material selection in areas with porcupines. Porcupines like the glue in plywood and will eat the plywood.)
2. Finish with transparent stain, boiled linseed, or paint of a neutral tone.
3. Place on treated 4"x4" or 4" round cedar double posts on right side of road at right angles to line of travel 5 feet above road surface.

## **Simple Style Version #2**

This style looks very similar to style #1, but it is easier to construct and can be assembled and repaired in the field by one person.

### **Specifications**

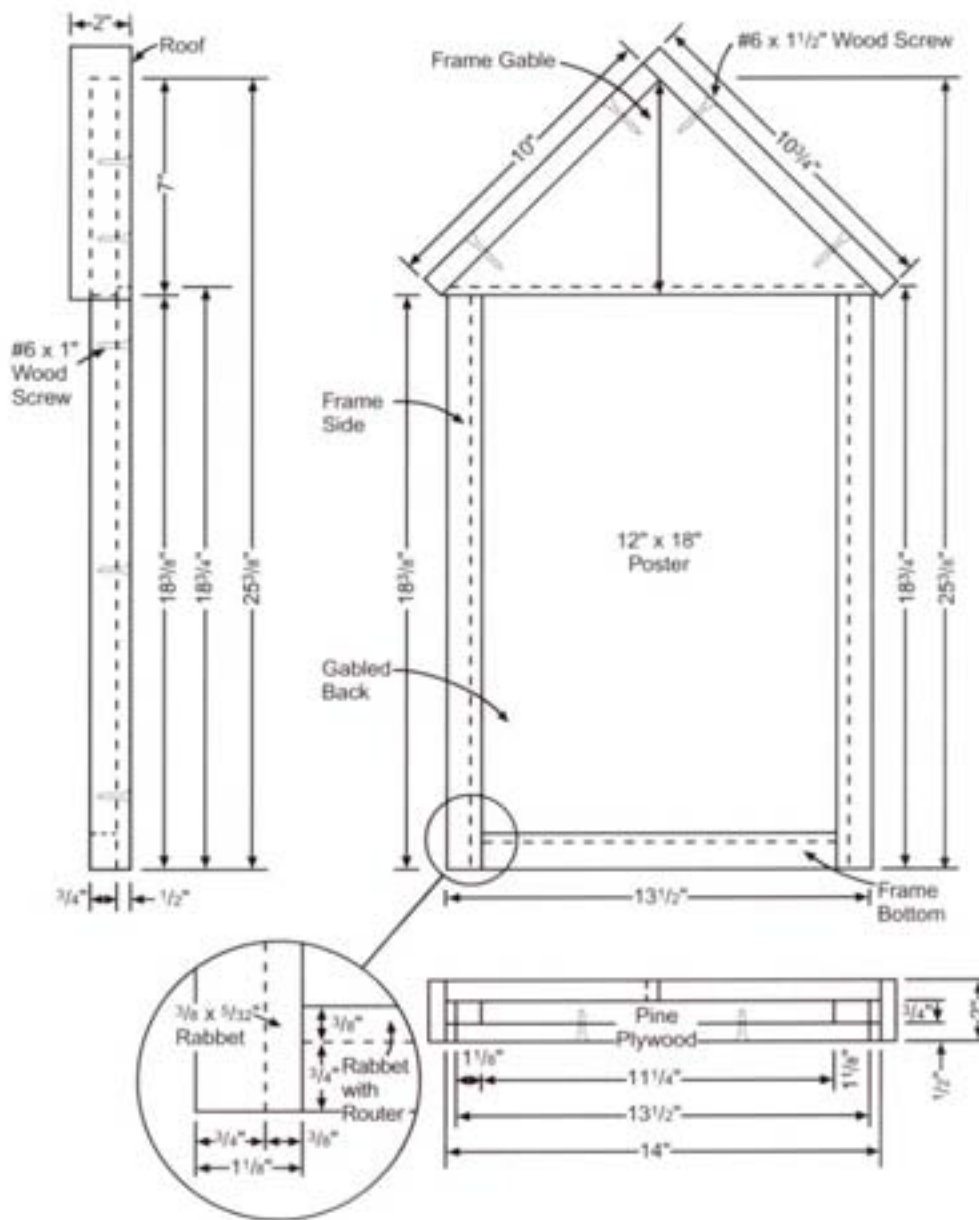
- Two treated 4" x 4" x 8' posts
- One piece ¾" x 19" x 48" exterior plywood
  - Hint: Large building material stores have panel cutters and will cut your plywood for a nominal fee. At this size, 5 pieces may be cut from one ¾" x 4' x 8' sheet of plywood. Consider the safety and convenience of not handling a sheet of plywood and a power saw.
- Trim the plywood with treated 2" x 2" lumber secured with 2" deck screws\* through the back of the plywood into the trim.
  - Hint: Butt-joint the corners of the trim using a hand saw.
- Secure plywood to posts with 3 ½" deck screws\*.
  - Hint: Use two screws at the top, middle, and bottom about 2" apart to secure plywood face to each post (6 screws per post) This assembly pattern is very strong. Assembly or repair is easiest on-site.
- Apply boiled linseed oil to all plywood and trim surfaces.
  - Hint: Use a foam-brush and dispose of it properly. Soiled rags and brushes are subject to spontaneous combustion.

\*Deck screws are stronger than standard Phillips-head screws, are coated so they may be secured without a pilot hole, and come in different colors.

### **Tools Required**

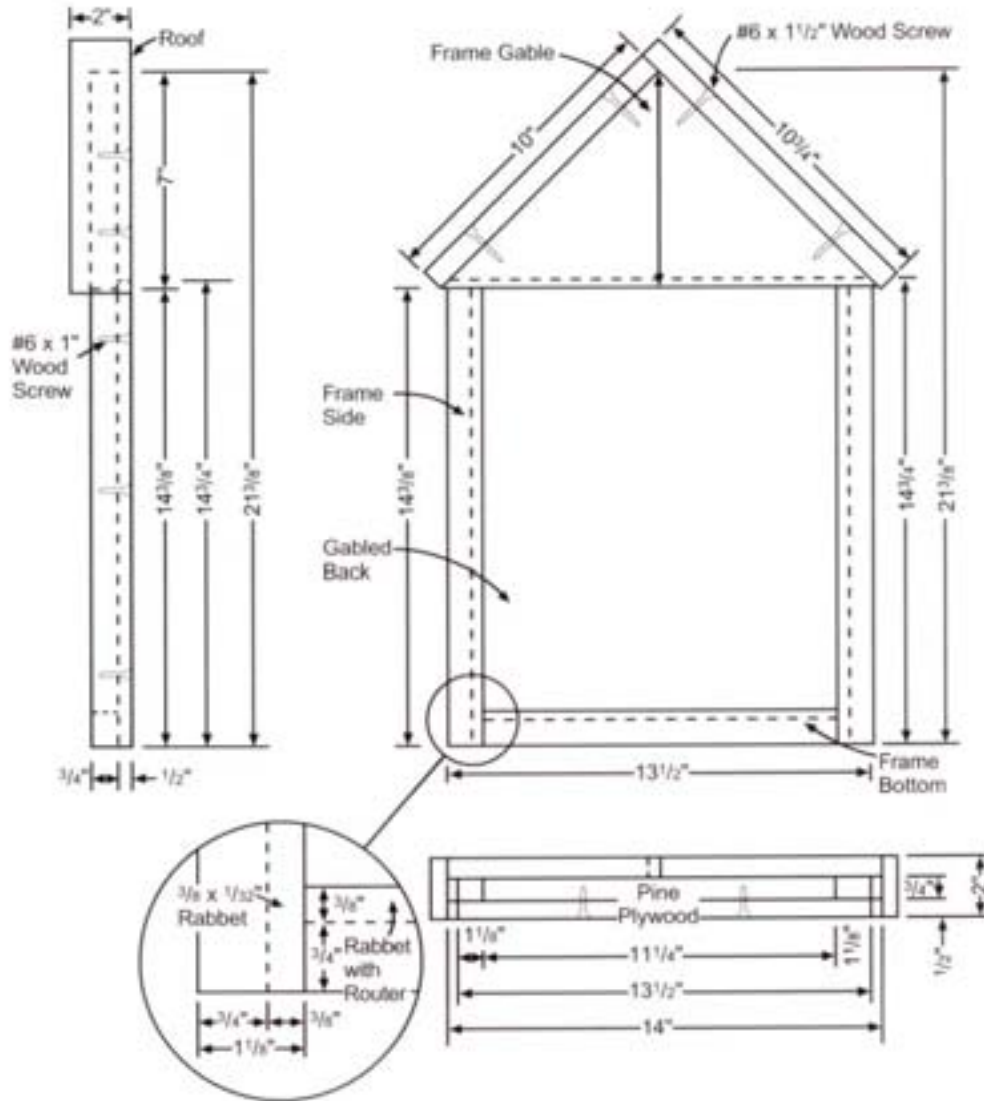
- Rechargeable drill with bits
- Handsaw
- Post-hole digger
- Rock Bar
- Level
- Shovel
- Foam brush
- Boiled Linseed oil

**Figure 3-5, Small Poster Mount for 12" x 18" Poster**



Design Based on Poster Dimensions of 12" x 18"

**Figure 3-6, Small Poster Mount for 12" x 14" Poster**



Design Based on Poster Dimensions of 12" x 14"

**Small Poster Mount Materials List for 12'' x 14'' and 12'' x 18'' poster sizes**

**Bill of Materials**

<b>Item</b>	<b>Material</b>	<b>No</b>	<b>12''x14'' size* (figure 3-6)</b>	<b>12''x18'' size* (figure 3-5)</b>
Frame sides	3/4'' pine	2	14 3/8''L x 1 1/8''W	18 3/8''L x 1 1/8''W
Frame bottom	3/4'' pine	1	11 1/4''L x 1 1/8''W	11 1/4''L x 1 1/8''W
Frame gable	3/4'' pine	1	14''B x 9 7/8''ES x 7''TH	14''B x 9 7/8''ES x 7''TH
Gabled back	1/2'' ext plywood	1	14 3/4''LOS x 13 1/2''W x 1/2''T x 21 3/8''L TP	18 3/4''LOS x 13 1/2''W x 1/2''T x 25 3/8''L TP
Roof	3/4'' pine	1	10 3/4''L x 2''W	10 3/4''L x 2''W
Roof	3/4'' pine`	1	10''L x 2''W	10''L x 2''W
Frame sides and bottom	Flathead wood screws	8	No. 6 x 1''	No. 6 x 1''
Frame gable	Roundhead wood screws	3	No. 6 x 1''	No. 6 x 1''
Roof	Flathead wood screws	4	No. 6 x 1 1/2''	No. 6 x 1 1/2''
Attach to post	Lag or carriage bolts	2	5/16'' x 5'' or 6''L	5/16'' x 5'' or 6''L
Attach to post	Tufnut security nuts	2	5/16''	5/16''
	Paint or stain as desired			

\*L = length; W = width; T = thickness; B = bottom of right triangle; ES = equal sides of right triangle; TH = triangle height of right triangle; LOS = length of sides; LTP = length to peak



# Plans and Documentation

4.0

## Introduction

A comprehensive wildfire prevention sign plan provides the framework for managing an effective sign program. It is the document for documenting decisions, planning work, and making decisions involving sign installations, removals, maintenance, and budget requests.

## Wildfire Prevention Sign Plan Contents

A good sign plan may need as few as four items depending on the complexity and size of your administrative unit.

1. Narrative or introduction
2. Inventory summary of the unit
3. Individual inventory page for each sign
4. Map of all the wildfire prevention signs on your unit

The following information may also be useful to include in a more complex sign plan. A sample wildfire prevention sign plan along with some helpful preparation notes is found in **Appendix A**.

### Narrative or introduction

Briefly describe the administrative unit covered by the sign plan, who prepared the plan and the date prepared. Describe how fire prevention signs and posters will be used on your unit.

## **Principles and Guidelines**

Document how sign locations were selected. Prevention signing strategies should target individual fire causes in specific areas as determined by your administrative unit's wildfire prevention plan.

Include the plans and specifications for the signs on your unit. This is valuable information when making repairs or new installations.

Describe the standards for the installation of your signs.

## **Posters**

Where do you obtain posters? Set a target date for when posters will be ordered for the next fire season and a budget estimate.

Image and appearance of your signs and posters will have much to do with how much attention the public gives to your messages. What are your expectations and standards for the removal and installation of posters?

## **Inventory summary**

Provide a summary in table or database format of the names and locations of all your signs.

## **Individual inventory page**

Consider creating an individual inventory page (**Appendix B**) for each sign. Each inventory page contains information relative for that sign, describes appropriate posters, and when posters should be placed and removed. The list of appropriate posters for each site is based on your assessment of fire cause, visitor use, and the targeted visitor for that site.

## **Map of all the wildfire prevention signs**

Include a map of your unit showing the location of each sign.

## **Action Plan**

Use your database, sign map, and the individual inventory pages to develop an annual work plan. Include expected maintenance and repairs and any construction and installation of new or replacement signs. What will it cost and who will do the work? This is the time to identify any contractual work and get the procurement documents in place before fire season.

The action plan should be realistic and commensurate with available funding and workforce availability.

Consider the use of volunteers to accomplish sign maintenance tasks. Many maintenance tasks are easily done by non-technical people. They are also good projects for individuals, youth and other community groups.

Document inspections, installations, removals, and maintenance work. Thorough and accurate records will aid in determining service life of the sign and future budget needs.

Records may identify locations where signs are repeatedly vandalized. In some locations it may be possible to prevent repeated vandalism by moving the sign a short distance from the initial site. Rather than locating the sign at the first turnout on a side road move it a little farther from the intersection where there is no turnout.

## **Accomplishment Report**

Document what you were able to get done this year with your budget. Showing accomplishment is usually a good way to insure a budget next year.

# Fire Danger Rating Signs

## 5.0

### Introduction

Fire Danger Rating Signs provide a method of informing wildland visitors of the fire danger on those lands. These signs also help to identify the administrative unit responsible for managing and protecting resources on those lands. Some wildland units may have their own specially designed fire danger signs so be sure to follow your employer's direction.

### Placement

Fire Danger Rating Signs should be located in areas where the public needs to be informed of potentially dangerous fire conditions. Typical locations for placement of fire danger rating signs are at administrative offices, visitor centers, near administrative boundaries, and large recreation complexes. Signs should not compete or conflict with the adjoining organization's fire danger signs. Fire danger rating of a large area should be coordinated between the responsible protection organizations. A clear and coordinated message provides for less confusion and better public compliance.

Select sites that are easily visible and maintainable. The ratings require daily updates to be accurate and therefore effective. A fire danger rating sign that does not accurately reflect the actual fire conditions on a daily basis will damage the credibility of both the administrative unit and the fire prevention program.

Consider local area volunteers to daily update the fire danger rating. Other options include cooperative agreements with your adjoining protection organizations.

## National Fire Danger Rating System

In 1974, State Forestry Organizations, the Bureau of Land Management, and the Forest Service established standard adjective descriptions for five levels of fire danger to be used in public information releases and fire prevention signing. These adjective levels and color codes are described below. For more information on the National Fire Danger Rating System, obtain a copy of the NWCG publication, “Gaining an Understanding of the National Fire Danger Rating System”, PMS 932, NFES 2665, July 2002.

<b>Fire Danger Rating and Color Code</b>	<b>Description</b> <i>Gaining an Understanding of the National Fire Danger Rating System, page 30, NFES 2665, July 2002</i>
Low (L) (Green)	Fuels do not ignite readily from small firebrands although a more intense heat source, such as lightning, may start fires in duff or punky wood. Fires in open cured grasslands may burn freely a few hours after rain, but woods fires spread slowly by creeping or smoldering and burn in irregular fingers. There is little danger of spotting.
Moderate (M) (Blue)	Fire can start from most accidental causes but with the exception of lightning fires in some areas the number of starts is generally low. Fires in open cured grasslands will burn briskly and spread rapidly on windy days. Timber fires spread slowly to moderately fast. The average fire is of moderate intensity although heavy concentrations of fuel, especially draped fuel, may burn hot. Short-distance spotting may occur, but is not persistent. Fires are not likely to become serious and control is relatively easy.
High (H) (Yellow)	All fine dead fuels ignite readily and fires start easily from most causes. Unattended brush and campfires are likely to escape. Fires spread rapidly and short-distance spotting is common. High-intensity burning may develop on slopes or in concentrations of fine fuels. Fires may become serious and their control difficult unless they are attacked successfully while small.

<p>Very High (VH) (Orange)</p>	<p>Fires start easily from all causes and, immediately after ignition, spread rapidly and increase quickly in intensity. Spot fires are a constant danger. Fires burning in light fuels may quickly develop high intensity characteristics such as long-distance spotting and fire whirlwinds when they burn into heavier fuels.</p>
<p>Extreme (E) (Red)</p>	<p>Fires start quickly, spread furiously, and burn intensely. All fires are potentially serious. Development into high intensity burning will usually be faster and occur from smaller fires than in the very high fire danger class. Direct attack is rarely possible and may be dangerous except immediately after ignition. Fires that develop headway in heavy slash or in conifer stands may be unmanageable while the extreme burning condition lasts. Under these conditions the only effective and safe control action is on the flanks until the weather changes or the fuel supply lessens.</p>

## Fire Danger Rating Sign Styles

### Fire Wheel Rating Sign

There are a number of versions and sizes of the fire wheel rating sign. This style of sign may be painted, silk screened, or applied as a decal to the substrate material. High density overlay (HDO) plywood is a good choice for your substrate. An arrow is used to point to the fire danger for the day. In order to deter vandalism it is a good idea to be able to lock the arrow in place on the rear of the sign.

Use the NFDRS color codes for the five different colors of the rainbow. 1) Low (green), 2) Moderate (blue), 3) High (yellow), 4) Very High (orange), 5) Extreme (Red).



## **Smokey Bear Fire Danger Sign**

A color decal reproduction of Smokey Bear and the five fire danger adjectives are available from the National Symbols Web Catalog, <http://www.symbols.gov>.

There are several decals available:

- NFES 92016      Smokey with shovel in left hand
- NFES 92017      Smokey with shovel in right hand
- NFES 92018      Fire Danger Adjectives

If your sign location site is two-sided you will need to order two sets of adjectives and a right and a left hand Smokey. Construction plans come with your decal order. It is very important to apply the decal to high density overlay (HDO) plywood. HDO plywood is marine-quality ¾" plywood with one side covered with a smooth porous overlay. It weathers well and the overlay material provides a stable surface to which the decal will bond. The local lumber yard may not keep this in stock but will know what to order when you ask for it.

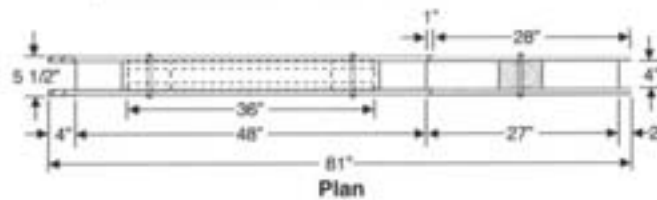
A list of State and USDA Forest Service representatives is located on the [symbols.gov](http://www.symbols.gov) website. In order to place an order with [symbols.gov](http://www.symbols.gov) you will need to contact your local state or federal representative for a user name and password.

You may also be able to find other licensed sources of fire danger sign manufacturers on the National Symbols Website.

## Smokey Bear Fire Danger Rating Sign



Note: For single faced sign, make modifications as required, but maintain box-frame construction.  
Text layout colors are reversed for clarity.



**Text layout colors in the plan are reversed for clarity.**

- Routed letters – Yellow cream # 23695
- Background – Brown # 20059



Text Dimensions - Smokey Bear Fire Danger Rating Sign

**FIRE DANGER**  
6"

**TODAY!**  
8"

**PREVENT WILDFIRES**  
4"

## Signs for Special Locations and Situations

6.0

The following are some notable wildfire prevention signing ideas that were encountered during the compilation of this guide. Perhaps they will work on your unit or cause you to create a new signing product.

### Range Poster

The BLM's Lower Snake River District designed a special poster for its rangeland ecosystem.



### Bill Boards

The National Cooperative Forest Fire Campaign is managed by the National Association of State Foresters, USDA Forest Service and the Advertising Council, Inc. One of the products of the campaign is billboard posters which may be obtained from the Advertising Council's Fulfillment Center. The address for their website is [http://www.adcouncil.org/campaigns/Wildfire\\_Prevention/](http://www.adcouncil.org/campaigns/Wildfire_Prevention/).

This information is included for instances where you may be able to locate an advertiser who wishes to donate billboard space. This is the source for that advertiser to contact to receive the product.

## Sequential Signs

Chapter 3 mentions the use of sequential signs and how the mind seems to find three an amiable number. Some units have found the following three sequentially placed signs an effective way to target campers. This particular design has been seen on two National Forests in the Pacific NW Region and a National Forest in the SW Region. These symbols were routed into cedar, painted, and installed on travel routes to major recreational sites. They are left in place and covered during the off-season.

 <p data-bbox="326 1262 449 1297"><b>Drown</b></p>	 <p data-bbox="781 1262 836 1297"><b>Stir</b></p>	 <p data-bbox="1195 1262 1269 1297"><b>Feel</b></p>
<p data-bbox="315 1331 462 1367">First Sign</p>	<p data-bbox="716 1331 901 1367">Second Sign</p>	<p data-bbox="1154 1331 1312 1367">Third Sign</p>

## “Burma Shave” style

Year’s ago an advertiser placed signs along fence posts in rural areas using short catchy sentences that rhymed. The last sign always included the name of the product and, since that time, this concept has been referred to as the “Burma-shave” style. The speed of the road will dictate how far apart to place each sign.

You can make up your own messages but these examples from eastern Idaho can get you started:

<ol style="list-style-type: none"> <li>1. <i>Put Out Your Campfire</i></li> <li>2. <i>Before Departing</i></li> <li>3. <i>It Only Takes One</i></li> <li>4. <i>To Keep a Wildfire From Starting!</i></li> </ol>	<ol style="list-style-type: none"> <li>1. <i>If No Fires Has You</i></li> <li>2. <i>Feel Your Sorriest,</i></li> <li>3. <i>Ask...How Would You Feel</i></li> <li>4. <i>To Camp Without A Forest?</i></li> </ol>
<ol style="list-style-type: none"> <li>1. <i>Remember Good Lessons</i></li> <li>2. <i>From Those You Admire</i></li> <li>3. <i>Like This One From Smokey:</i></li> <li>4. <i>Don't Play With Fire!</i></li> </ol>	<ol style="list-style-type: none"> <li>1. <i>If You Find Yourself</i></li> <li>2. <i>Changing a Flat Tire</i></li> <li>3. <i>Don't Park Over Dry Grass</i></li> <li>4. <i>You Could Start a Wildfire!</i></li> </ol>
<ol style="list-style-type: none"> <li>1. <i>A Man Towing A Trailer</i></li> <li>2. <i>Once Let Some Chains Sag</i></li> <li>3. <i>He Started 3 Wildfires</i></li> <li>4. <i>What A Drag...!</i></li> </ol>	<ol style="list-style-type: none"> <li>1. <i>When you see a fire</i></li> <li>2. <i>Call it in quick</i></li> <li>3. <i>Dial 911</i></li> <li>4. <i>Before the smoke gets too thick!</i></li> </ol>

## Banners

Some units have found banners across travel routes to high use recreation sites an effective way to give special emphasis to their prevention message. Tyvek is a

good choice for banners and posters. It is a strong, fibrous, paper-like material that has good short-term resistance to inclement weather and animal damage. It is also very flexible and lightweight.

## **Campfire Stakes**

Consider this idea of staking individual campfire rings where you have reoccurring problems with abandoned campfires. Several USDA Forest Service regions have in their forms catalog the following “form”, (R6-51-1, R3-5100) printed on card stock. These can be stapled on a short piece of lathe or an engineering road stake and placed directly in the campfire ring. This is a simple product to create on your computer and duplicate on the copy machine on card stock with your own unit logo.

Remember to remove the campfire stakes during a period of campfire restrictions or replace them with an appropriate message that campfires are not permitted. As these are not roadside signs, a significant amount of text can be used to explain special regulations and who to contact for more information.

## Sample Poster for a Campfire Stake

**PLEASE  
HELP PREVENT FOREST  
FIRES**



**FOLLOW THESE  
SAFE FIRE RULES:**

**BEFORE YOU BUILD YOUR CAMPFIRE**

1. Select a spot away from logs, grass, stumps, small trees and steep slopes.
2. Dig a hole for your fire.
3. Ring fireplace with rocks.
4. Clear all flammable material away from fireplace for at least 5 feet above and on all sides.
5. Keep fire small.

**BEFORE YOU LEAVE YOUR CAMPFIRE**

1. With a shovel mix all ashes and coals well with water or dirt. Keep mixing until you're sure it's out—cold!
2. Feel all ashes and coals with bare hands to make sure fire is out—cold!
3. Before leaving, check campsite for sparks from your fire.

**OBSERVE SMOKING RULES**

Smoke only

1. Inside vehicles on surfaced roads (use ash tray).
2. In occupied camps.
3. At places of habitation.
4. When stopped in cleared areas at least 2 feet in diameter—then—be sure it's out.

**LEAVE A CLEAN CAMP & A DEAD FIRE  
REMEMBER  
ONLY YOU CAN PREVENT  
FOREST FIRES**



USFS 1980-08-01-014 86011

## **Fire Prevention Information Stations**

Some units find fire prevention information stations an effective tool that is popular with recreationists, especially when combined with other services such as providing directions to available campsites or selling local maps.

Prevention stations are labor-intensive and should be restricted to special situations such as high-use weekends, periods of extreme fire danger, or the opening of hunting or fishing season. Look to other sources for additional staffing such as your recreation department or the local state fish and game authority. In small communities we have seen these become community events with civic groups hosting bake sales and hot dog stands.

This concept is included here because your information stations should be properly signed.

- Check for and follow all local regulations.
- Use signing so your visitors know this is an information station. (It is not mandatory to stop.)
- Select a safe location for yourself and the visitor away from traffic.

## Notes



# **Appendix A**

## **Administrative Unit Sample Wildfire Prevention Sign Plan**

## Sample - Wildfire Prevention Sign Plan

Date Prepared

Prepared by: your name goes here

*\*Italics throughout the sample designate suggestions and comments to consider when writing your own plan.*

### Introduction

This is a comprehensive wildfire prevention plan for the Prineville District BLM to manage an effective and cost efficient sign program. The plan includes areas of the Ochoco National Forest including the Maury Mountains, and the Crooked River National Grasslands in addition to the Prineville District BLM. The area described is roughly one-fifth of the state of Oregon.

Fire prevention posters will be used to promote wildfire prevention awareness and education, and provide notice of public use restrictions due to high or extreme fire danger.

*\*Consider this plan a working document. The plan's audience includes the person who does the on-the-ground work as well as your boss. If you leave on assignment this is one of your handoff documents so spend a little time and do it right.*

### Principles and Guidelines

#### Sign Placement

The following factors were used to select sign locations:

- Entry points to contiguous blocks of public land
- Frequently used travel routes
- Risk Assessment and Mitigation Strategies Plan (RAMS)
- Conference and field trips with long-time District employees and station managers
- Heavily-used recreation sites
- Locations of organizational bulletin boards for recreational sites including off-highway vehicle (OHV) areas

### *Sample - Wildfire Prevention Sign Plan-page 2-*

The District has an extensive system of recreational and OHV bulletin boards and signs maintained and patrolled by those functions. In those locations no additional signs were located. For those locations fire management will provide an inventory of posters and coordinate the posting of appropriate messages. Examples of appropriate small-sized posters will include:

- General Messages
  - P5180, One Careless Moment-Prevent Wildfires
  - P5147, Wanted-Your Campfire Dead Out!
  - P5110, Put it Out...Every Spark Dead Out
- Seasonal Messages
  - P51751, No Fireworks
- Public Use Restrictions
  - P51111A, Fire Restrictions-No Vehicles Off Road
  - P5178, Fire Restrictions Now in Effect-No Campfires, No Charcoal Grills, Stoves OK
  - P5172 with P5172A Campfires OK decal to be used in designated campgrounds.

All roadside fire prevention sign sites selected will be on low speed roads. Sites were not selected on high speed roads such as State Highway 20, (Bend to Burns) for several reasons:

- No fire occurrence data to support targeting of highway audiences
- Chose to target low speed roads as that audience is more likely to actually visit the public land accessed by that federally-owned road
- Large size signs are more costly to construct, install, and maintain and require an entirely different inventory of posters
- Large signs within the highway right-of-way require permits

All new signs are installed on the right-hand side of the road. Most signs only require a poster on one side facing the entry point to public land. Signs are located to not compete with or obscure other signs or be hidden by large objects.

*\*Explain the rationale for how and where you located your signs.*

## **Sign Design**

The simple design for medium sized posters (44"x16") designed for lower speed roads will be used for all new and replacement signs:

- Economical, (\$30.00/sign)
- Can be assembled and installed by one person
- Can be readily repaired in the field
- Targets the public lands visitor
- Simple maintenance
- This size poster is more easily stored and transported.

*\*Include the plans and specifications of your various styles and sizes of signs in your sign plan.*

## **Sign Installation**

Signs will be horizontal and posts should be vertical. Posts will be adequately deep to provide for a sturdy sign on which to staple a poster. To facilitate readability new signs may be angled just a bit to the road during installation.

## **Posters**

Wildfire prevention posters are seasonal notices. On an area as large as the Prineville District these notices may be the only contact we have with those visitors. We will consider posters to be our key tool for public information and make every effort to keep posters maintained and updated.

## **Ordering Posters**

Posters will be inventoried annually at the end of fire season. Replacement posters will be ordered by March 1<sup>st</sup> of each year or at which time the budget is known and firm.

Posters can be ordered from the following two sources:

1. Bureau of Land Management, Printed Materials Distribution Section (SC-657B), Building 41, Denver Federal Center, P.O. Box 25047, Denver, Colorado, 80225-0047, fax 303-236-0845, 303-236-1975.

*Sample - Wildfire Prevention Sign Plan-page 4-*

2. Unicorn Sign Factory, 805-735-6211; fax 805-735-4507. Fax the order to UNICOR and follow up by phone to confirm receipt and provide payment information.

USFS or BLM intra-net URL:

<http://fsweb.wo.fs.fed.us/eng/unicor/cover.htm>.

Internet URL:

<http://www.unicor.gov>

*\*This is the section for you to provide the sources of signs and posters for your organization.*

## **Poster Removal, Installation, and Maintenance**

### **Removal**

Carefully remove all staples when replacing or removing a poster. This will allow the new poster to lie flat and it will remain as placed until you return. Return the old poster to the District poster inventory locker.

### **Installation**

All posters will be in place by the Memorial Day Weekend.

When installing a poster it should be centered and square to the sign board. Use enough staples to secure the poster firmly in place.

### **Maintenance**

Immediately replace posters that have been defaced or otherwise damaged. Replace posters when they are no longer needed or when the message is no longer applicable and timely.

Seasonal "No Fireworks" posters will be in place one week prior to July 4<sup>th</sup> and will be replaced one week after this holiday weekend.

Public use restriction posters will be in place to concur with the restriction order and promptly removed when the order is rescinded.

All fire prevention posters will be removed at the end of fire season.

Remove weeds, brush, and other obstacles from around signs that obstruct the visibility or detract from the message.

### **Appropriate Messages**

Each page for individual sign locations contains a list of appropriate posters for that site based on the use and targeted visitor for that site. This will facilitate ease of posting at

### *Sample - Wildfire Prevention Sign Plan-page 5-*

each site by a variety of means such as prevention and engine personnel, other District personnel, or volunteers. The list of appropriate posters includes the UNICOR catalog reference number.

*\*While assessing each site I found it beneficial to develop categories of posters that fit the diverse ecosystems and targeted use in those locations. In this plan those included: 1) BLM Desert, 2)BLM OHV, 3)BLM River, 4) USFS Forest, 5) USFS Grasslands.*

### **Methodology/Individual Pages for Each Sign**

Individual pages were developed for each sign to create an effective and manageable program. Each page contains information relative to that sign.

*\*I find these pages to be invaluable because there is so much information on each page. It can be a little tricky setting up a document template. I found someone in the office to help with the initial setup.*

Only readily available tools within the office were used to create these pages so that the plan may be easily maintained.

The template page was created in Microsoft Word.

- GPS coordinates of signs were provided by BLM engines and others using hand-held units readily available on-District. Our GIS department suggests for the best accuracy to collect a point feature instead of reading from the instrument screen, WGS84 format.
- The location map was generated from a free internet website, [www.topozone.com](http://www.topozone.com). To locate a sign, go to the website, search for a sign location by entering a nearby location, i.e., Brothers, Oregon, and use the arrows to locate the sign near that site. Topozone will generate the coordinates for the sign when you enter the point. Select ctrl/print screen or alt/print screen and then paste the map into Microsoft PowerPoint. MS PowerPoint has the tools to easily edit the map so it may be copied and pasted into a map box on the template page.
- Map sizes that are most easily read and transferred are created with the following combination of features in [www.topozone.com](http://www.topozone.com) – 1:100K Series map, 1:200K View Scale and display the GPS coordinates in the D/M/S WGS 84 format.
- Photographs were taken with digital cameras or scanned slides and pasted into the template page.

## Inventory of Signs and Posters

### PRD Prevention Sign Inventory

Name	Road	Legal	Coordinates	Size
Holly Lane	Holly Lane West end	T12SR13ESec14 NESE	44°31'64.6" 121°07'69.2"	44x16
GI Ranch				

*\*Useful information will include the name of the sign, road name and number, legal description, GPS coordinates, and size of the sign. Avoid assigning a number to each sign. Initially you will have a logical flow of numbers across your organizational unit until you add or remove signs over time. Reassigning a number to a new sign location will become confusing. On landscape sized units consider grouping signs into geographic zones.*

### Individual Sign Pages for Each Sign

*\*A page for each sign listed in the inventory is included under this title. You can see a couple samples of these pages in Appendix B. These pages are used to locate, post, and maintain the signs during the fire season. Each page specifies which poster to place at that particular location and when to do the posting. The pages are also useful for documenting vandalism and generating your action plan with any major maintenance or new installation.*

### Action Plan

All signs are generally in good shape and at this time only one new sign is planned.

1. The new sign will be installed on the West Butte Road just north of state highway 20 after road construction has been completed.
2. Next season's project is to purchase and install a small metal or plastic plate with the BLM logo on fire prevention signs on BLM land. Place the logo on the post closest to the roadway. This will help the visitor recognize they are entering BLM public land and identify the appropriate contact for questions and information.

*Sample - Wildfire Prevention Sign Plan-page 7-*

### **Report of Accomplishment**

For this 2003 fire season, with the assistance of an Intern from the Student Conservation Association, we were able to:

- Gather all information, photographs, maps, and draft this District sign plan.
- Maintain, repair, or install all signs listed in the inventory.

*\*This is your chance to tell the boss what you accomplished this year. This is your annual plan and report of work so it is OK to include phone numbers, names, and anything important to help get the work done.*

### **Sign Location Map**

A map of all signs on the administrative unit appears here.

*\*The District GIS department used the sign inventory with GPS coordinates to prepare a map showing and naming all sign locations. They produced a PDF of the map which makes it easy to print on the color plotter when necessary.*



# **Appendix B**

## Individual Sign Inventory Template

### Sample Pages

## Prevention Sign Inventory

NAME: \_\_\_\_\_ NO. \_\_\_\_\_ ZONE \_\_\_\_\_

LEGAL: T. \_\_\_\_\_ S. \_\_\_\_\_ R. \_\_\_\_\_ E. \_\_\_\_\_ Sec. \_\_\_\_\_  $\frac{1}{4}$  \_\_\_\_\_  $\frac{1}{4}$  \_\_\_\_\_

Lat. \_\_\_\_\_ Long. \_\_\_\_\_

Road No.: \_\_\_\_\_

Road Name: \_\_\_\_\_

Road Surface: \_\_\_\_\_

Right-of-Way: \_\_\_\_\_

Sign Type: \_\_\_\_\_

Date in Place: \_\_\_\_\_

Present condition: \_\_\_\_\_

1-5 scale/1 = New to 5 = replace

View Facing: \_\_\_\_\_

Appropriate Posters for this Site:

Notes: \_\_\_\_\_

Location Map North ↑

Photograph

## Individual Sign Inventory Item Description

- ID Number. Each sign may be assigned an identification number.
- Name. Select a nearby geographic name that ties that sign to the site.
- Location. Legal description and global positioning system (GPS) latitude and longitude. These points can be provided to a GIS department to develop a map of the prevention signs for your administrative unit.
- Road name and number. Include a location map. There are mapping websites available where you can copy and save a free topographic map for each site onto your inventory page. You can indicate the location of your sign and the website will provide the latitude and longitude on the map.
- Right-of-way jurisdiction. Include a copy of any written agreements or permits where applicable with each individual page.
- Sign or poster-mount size. Include a photograph of the sign on-site. Digital cameras provide an easy method to photograph the sign and copy it onto your individual sign page.
- Installation date if known.
- Condition. Use a scale of one to five with one being new and five meaning replace. Keep a record of vandalism to determine if it is repetitive at a particular site.
- Appropriate posters for this site. Include a list of posters by catalog number that are appropriate for this location and dates when those messages should be in place. You should be able to determine this list from your prevention analysis and strategy. By providing detailed information on each inventory page it should be possible for anyone in your organization to properly post signs in your absence.
- View facing. Remember the rule of thumb that signs should be placed on the right-hand side of the road. In some locations you may be able to place posters on both sides of a sign mount but just because there are two sides to a sign doesn't mean you need a poster on each side.
- Notes. Other useful site condition information such as environmental constraints or activities at this site.

# PRD PREVENTION SIGN INVENTORY

NAME: G.I. NO. 27 ZONE: Highway 20

LEGAL: T.23S, R.22E, Sec.10 NE1/4 SW1/4

Lat./Long. 43°35'2.6", 120°04'00.4"

Road No.: n/a

Road Name: G.I. Ranch

Road Surface: Gravel

Right-of-Way: BLM

Sign Type: Rustic half-log

Date in Place: unknown

Present condition: 3  
1-5 scale/1 = New to 5 = replace

## Appropriate Posters:

### General

P5103, Help Prevent Wildfires  
P5185b, Crush Smokes  
District's custom posters

### Seasonal

None

### Public Use Restrictions

P1103b, Fire Restrictions

View Facing: South

Notes: South end of Camp Creek Road



# PRD PREVENTION SIGN INVENTORY

NAME: Holly Lane NO. 37 ZONE Grasslands

LEGAL: T. 12 S, R. 13 E, Sec. 14 NE 1/4 SE 1/4

Lat./Long. 44°31.646', 121°07.692'

Road No.: 55

Road Name: Holly Lane

Road Surface: Gravel

Right-of-Way: USFS

Sign Type: 4x4

Date in Place: unknown

Present condition: 2  
1-5 scale/1 = New to 5 = replace

Appropriate Posters for this Site:

General

P5103, Help Prevent Wildfires

P5118, Protect and Enjoy Your N.F.

P5185b, Crush Smokes

Seasonal one week prior and after July 4<sup>th</sup>

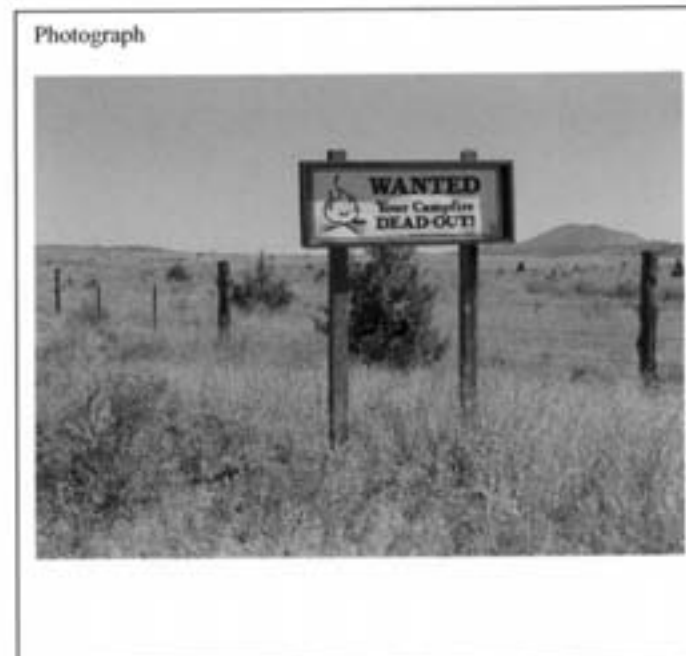
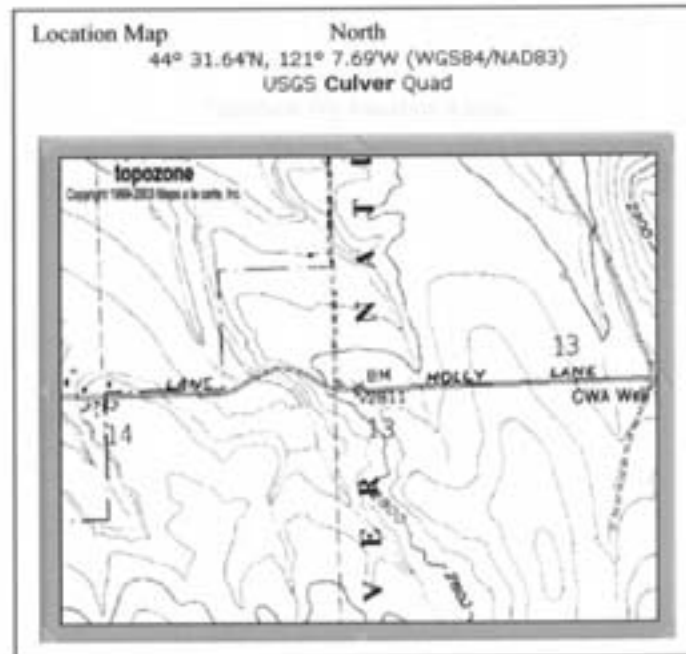
P51752, No Fireworks

Public Use Restrictions

P1103b, Fire Restrictions

View Facing: West

Notes: West end of Holly Lane



## Notes

# **Appendix C**

## **Samples of Wildfire Posters and Signs**

## **Samples of Wildfire Posters and Signs**

While researching this NWCG guide several wildfire sign and poster catalogs were located. The following pages of appendix C illustrate the most complete sampling of wildfire poster and sign designs of those catalogs. If you are having your posters printed locally these illustrations may help with your designs.

Chapter 3.0 described the UNICOR sign factory and suggested ordering procedures. The following is a review of that process.

### **UNICOR Sign Factory**

The UNICOR Sign Factory in Lompoc, California is the source of posters and signs for the USDA Forest Service. UNICOR will sell their posters to wildland fire organizations and fire departments. Access the UNICOR website for their most current price list.

Federal Prison Industries  
UNICOR Sign Factory  
3901 Kline Boulevard  
Lompoc, California 93436  
805-735-6211, fax 805-735-4507  
[www.unicor.gov](http://www.unicor.gov)

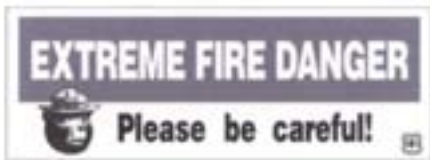
**To order posters** fax your order to UNICOR and follow up your fax with a phone call to provide payment information. Do not put credit card information on your order form. Standard shelf stock orders are shipped within twenty working days.

**In the case of a fire emergency** UNICOR offers fast delivery. In the event of a fire emergency request quick shipment and UNICOR will pull your order within 24-48 hours and ship via Federal Express on your Fed-Ex number.



## **Special Orders**

Shelf stock posters have the USDA Forest Service logo. You can special order posters of your own design or order these designs with your organization's logo. A special order form, "Request for Custom Sign Quote", is found at the end of this appendix. Allow additional time on special orders for design, printing, and shipping.



P51-02 44" x 16"  
Red and brown on white

P51-02a  
Same as P51-02, except black on yellow  
and 9" x 11"



P51-03 44" x 16"  
Dark brown, light brown on yellow

P51-03a  
Same as P51-03, except 42" x 34"

P51-03b  
Same as P51-03, except 54" x 44"

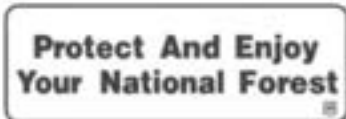


P51-04 44" x 16"  
"Preventing Wildfires is Good Business"  
Yellow, green, and black

---



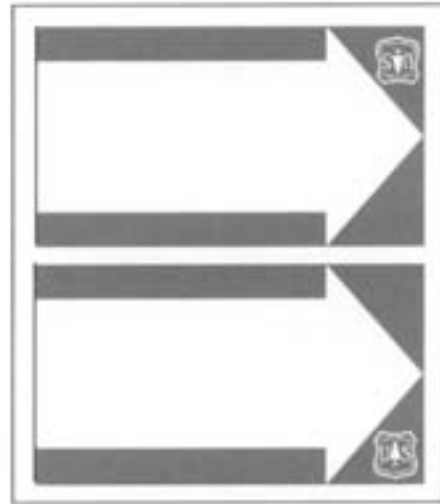
P51-10 12" x  
Black and red on white



P51-18 44" x 16"  
Brown on white



P51-20 44" x 16"  
Green, red, and black on white



P51-24a 9" x 5 1/2"  
Red on white reflective and reversible. Two per sheet. When folded, this poster makes a two-sided, one-directional arrow.

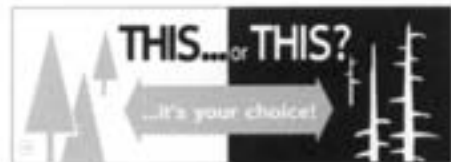


P51-25 44" x 16"  
Red and black on white



P51-28 44" x 16"  
Red orange, green, and black on white

P51-28a  
Same as P51-28, except 54" x 44"



P51-29 44" x 16"  
Green and black on white



P51-31 44" x 16"  
Red and black on lime yellow

P51-31a  
Same as P51-31, except 42" x 34"



P51-39 10" x 12"  
Red-orange and white on black



P51-43 44" x 16"  
Green and white on black



P51-44 14" x 11"  
Warm red, blue, and black on white



P51-45 14" x 11"  
Green, blue, and black on white



P51-47 10" x 12"  
Black and red on white

P51-47a  
Same as P51-47, except 44" x 16"



P51-48 54" x 44"  
 Black on orange (vinyl sign facing or cardboard). Available from UNICOR.



P51-56.1 14" x 12"  
 Red on lime yellow



P51-56.2 44" x 16"  
 Red on lime yellow

The following fire prevention posters are to be used on major installations and other appropriate places.



P51-56 14" x 12"  
 Red on lime yellow (cardboard)

P51-56a  
 Same as P51-56 (posterboard), except 42" x 34"

P51-56b  
 Same as P51-56 (reflective), except 42" x 34". Available from UNICOR



P51-62 14" x 12"  
 Red on lime yellow (cardboard)

P51-62a  
 Same as P51-62 (posterboard), except 42" x 34"

P51-62b  
 Same as P51-62 (reflective), except 42" x 34". Available from UNICOR



P51-62c  
Red on lime yellow

44" x 16"



P51-65  
Red on lime yellow

14" x 12"



P51-64  
Red on lime yellow (cardboard)

14" x 12"

P51-64a  
Same as P51-64 (posterboard), except 42" x 34"

P51-64b  
Same as P51-64 (reflective), except 42" x 34".  
Available from UNICOR

P51-64d  
Same as P51-64 (reflective), except 54" x 44".  
Available from UNICOR



P51-65a  
Red on lime yellow

44" x 16"



P51-66  
Red on lime yellow

54" x 44"

P51-66  
Same as P51-66, except 42" x 34"



P51-64e  
Red on lime yellow

44" x 16"



P51-67 54" x 44"  
Red on lime yellow

P51-67a  
Same as P51-67, except 42" x 34"



P51-68 54" x 44"  
Red on lime yellow

P51-68a  
Same as P51-68, except 42" x 34"



P51-69 12" x 14"  
Blank at bottom for the following decals:

P51-69a 11" x 3"  
No fires (decal)

P51-69b 11" x 3"  
Extreme fire hazard (decal)

P51-69c 11" x 3"  
Extreme fire danger (decal)

The following posters contain the "No Fires" symbol with worded message as shown:

P51-69.1 44" x 16"  
No fires

P51-69.2 44" x 16"  
Extreme fire hazard

P51-69.3 42" x 34"  
Extreme fire hazard

P51-69.4 44" x 16"  
Extreme fire danger

P51-69.5 42" x 34"  
Extreme fire danger

P51-69.6 42" x 34"  
Extreme fire danger (reflective). Available from Central Supply.



**Burning Permit  
Required**

P51-70.1 12" x 14"  
Burning permit required

P51-70.2 44" x 16"  
Burning permit required



Blank at bottom for the following  
decals:

- P51-72 12" x 14"
- P51-72a 11" x 3"  
Campfires OK (decal)
- P51-72b 11" x 3"  
Campgrounds only (decal)
- P51-72c 11" x 3"  
Camp and picnic grounds only  
(decal)
- P51-72d 11" x 3"  
Campfire permits required (decal)
- P51-72e 11" x 3"  
Campfire permit issued here (decal)
- P51-72f 11" x 3"  
Campground stoves only (decal)

The following posters contain the  
campfire symbol with word message  
as shown:

- P51-72.1 44" x 16"  
Developed campgrounds only
- P51-72.2 42" x 34"  
Developed campgrounds only
- P51-72.3 42" x 34"  
Developed campgrounds only  
(reflective). Available from Central  
Supply
- P51-72.4 44" x 16"  
Developed camp and picnic grounds  
only
- P51-72.5 42" x 34"  
Developed camp and picnic grounds  
only (reflective). Available from  
Central Supply
- P51-72.6 44" x 16"  
Campfire permits required
- P51-72.7 44" x 34"  
Campfire permits required



**No Campfires**

P51-71.1 12" x 14"  
No campfires

P51-71.2 44" x 16"  
No campfires

P51-71.3 42" x 34"  
No campfires

P51-71.4 42" x 34"  
No campfires (reflective). Available  
from Central Supply





P51-73 12" x 14"  
Blank at bottom for the following decals:

P51-73 11" x 3"  
No smoking (decals)



P51-75.1 12" x 14"  
No fireworks

P51-75.2 44" x 16"  
No fireworks

P51-75.3 42" x 34"  
No fireworks

P51-75.4 42" x 34"  
No fireworks (reflective). Available from  
Central Supply



P51-74.1 12" x 14"  
Smoking campgrounds only

P51-74.2 44" x 16"  
Smoking campgrounds only



P51-76.1 12" x 14"  
Spark arresters required

P51-76.2 44" x 16"  
Spark arresters required



P51-77.1 42" x 34"  
Fire restrictions now in effect



P51-79 12" x 14"  
Red on lime yellow

P51-79A 42" x 34"  
Same as P51-79 except 42" x 34"



P51-78 12" x 14"  
Red on lime yellow

P51-78a 42" x 34"  
Same as P51-78 except 42" x 34"



P51-80 10" x 12"  
Black on orange

P51-80a 42" x 34"  
Same as P51-80 except 42" x 34"



P51-81 10" x 12"  
Black on orange

P51-81a 10" x 12"  
Same as P51-81 except legend "Wildlife for Everyone"

P51-81b 10" x 12"  
Same as P51-81 except legend "Recreation for You"

P51-81c 10" x 12"  
Same as P51-81 except legend "Prevent Wildfires"

P51-81d 54" x 44"  
Same as P51-81c except 54" x 44"



P51-85 14" x 12"  
Red on lime yellow

P51-85a  
Same as P51-85 (posterboard), except 42" x 34"

P51-85b  
Same as P51-85 except 44" x 16"  
Old P51-30—show both order numbers (P51-85b and P51-30) on the requisition

P51-85c  
Same as P51-85 except 44" x 54"  
Old P51-30A—show both order numbers (P51-85c and P51-30) on the requisition



P51-86 42" x 34"  
Red on lime yellow

P51-86a  
Same as P51-86 (reflective), available from UNICOR



P51-87 10" x 12"  
Warm red on dark brown and white

P51-87a  
Same as P51-87, except 42" x 34"

P51-87b  
Same as P51-87, except 44" x 16"



Note: This poster has autumn colors and is intended for use in the Fall.

P51-88 42" x 34"  
Orange and dark brown on white

P51-88a  
Same as P51-88, except 54" x 44"



P51-101A 12" x 14"  
Red on lime yellow



P51-101B 16" x 44"  
Red on lime yellow



P51-101C 34" x 42"  
Red on lime yellow

P51-101D 34" x 42"  
Reflectorized

P51-101E 44" x 54"  
Red on lime yellow

P51-101F 44" x 54"  
Reflectorized



P51-102A 12" x 14"  
Red on lime yellow



P51-103A 12" x 14"  
Red on lime yellow



P51-102B 16" x 44"  
Red on lime yellow



P51-103B 16" x 44"  
Red on lime yellow



P51-102C 34" x 42"  
Red on lime yellow

P51-102D 34" x 42"  
Reflectorized

P51-102E 44" x 54"  
Red on lime yellow

P51-102F 44" x 54"  
Reflectorized



P51-103C 34" x 42"  
Red on lime yellow

P51-103D 34" x 42"  
Reflectorized

P51-103E 44" x 54"  
Red on lime yellow

P51-103F 44" x 54"  
Reflectorized



P51-103G 34" x 42"  
 Red on lime yellow

P51-103H 34" x 42"  
 Reflectorized

P51-103I 44" x 54"  
 Red on lime yellow

P51-103J 44" x 54"  
 Reflectorized



P51-104A 12" x 14"  
 Red on lime yellow



P51-104B 16" x 44"  
 Red on lime yellow



P51-104C 34" x 42"  
 Red on lime yellow

P51-104D 34" x 42"  
 Reflectorized

P51-104E 44" x 54"  
 Red on lime yellow

P51-104F 44" x 54"  
 Reflectorized



P51-105A 12" x 14"  
Red on lime yellow



P51-106A 12" x 14"  
Red on lime yellow



P51-105B 16" x 44"  
Red on lime yellow



P51-106B 16" x 44"  
Red on lime yellow



P51-105C 34" x 42"  
Red on lime yellow

P51-105D 34" x 42"  
ReflectORIZED

P51-105E 44" x 54"  
Red on lime yellow

P51-105F 44" x 54"  
ReflectORIZED



P51-106C 34" x 42"  
Red on lime yellow

P51-106D 34" x 42"  
ReflectORIZED

P51-106E 44" x 54"  
Red on lime yellow

P51-106F 44" x 54"  
ReflectORIZED



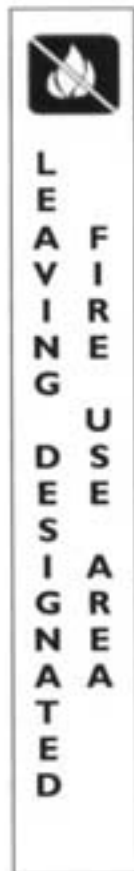
P51-106G 12" x 14"  
Red on lime yellow



P51-107A 12" x 18"  
Red on lime yellow



P51-106H  
Stickers for Carsonite Post  
Red on lime yellow



P51-106I



P51-107B 34" x 42"  
Red on lime yellow  
P51-107C 34" x 42"  
Reflectorized  
P51-107D 44" x 54"  
Red on lime yellow  
P51-107E 44" x 54"  
Reflectorized





P51-107F 34" x 42"  
 Red on lime yellow

P51-107G 34" x 42"  
 Reflectorized

P51-107H 44" x 54"  
 Red on lime yellow

P51-107I 44" x 54"  
 Reflectorized



P51-108C 34" x 42"  
 Red on lime yellow

P51-108D 34" x 42"  
 Reflectorized

P51-108E 44" x 54"  
 Red on lime yellow

P51-108F 44" x 54"  
 Reflectorized



P51-108A 12" x 14"  
 Red on lime yellow



P51-109A 12" x 14"  
 Red on lime yellow



P51-108B 16" x 44"  
 Red on lime yellow



P51-109B 16" x 44"  
 Red on lime yellow



P51-109C 34" x 42"  
Red on lime yellow

P51-109D 34" x 42"  
Reflectorized

P51-109E 44" x 54"  
Red on lime yellow

P51-109F 44" x 54"  
Reflectorized



P51-110C 34" x 42"  
Red on lime yellow

P51-110D 34" x 42"  
Reflectorized

P51-110E 44" x 54"  
Red on lime yellow

P51-110F 44" x 54"  
Reflectorized



P51-110A 12" x 14"  
Red on lime yellow



P51-110B 16" x 44"  
Red on lime yellow



P51-111A 12" x 14"  
Red on lime yellow



P51-111B 12" x 14"  
Red on lime yellow



P51-112B 12" x 14"  
Red on lime yellow



P51-111C 16" x 44"  
Red on lime yellow



P51-112C 16" x 44"  
Red on lime yellow



P51-111D 16" x 44"  
Red on lime yellow



P51-112A 12" x 14"  
Red on lime yellow



P51-112D 16" x 44"  
Red on lime yellow



P51-113A 12" x 18"  
Red on lime yellow



P51-114A 44" x 54"  
Red on lime yellow

P51-114B 44" x 54"  
Reflectorized



P51-113B 34" x 42"  
Brown on white

P51-113C 34" x 42"  
Reflectorized

P51-113D 44" x 54"  
Brown on white

P51-113E 44" x 54"  
Reflectorized



P51-115A 12" x 14"  
Black and red on white



P51-115B 16" x 44"  
Black and red on white



P51-115C 34" x 42"  
Black and red on white

P51-115D 44" x 54"  
Black and red on white



P51-116C 34" x 42"  
Black and red on white

P51-116D 44" x 54"  
Black and red on white



P51-116A 12" x 14"  
Black and red on white



P51-117A 12" x 14"  
Black and red on white



P51-116B 16" x 44"  
Black and red on white



P51-117B 16" x 44"  
Black and red on white

---



P51-117C 34" x 42"  
Black and red on white  
P51-117D 44" x 54"  
Black and red on white



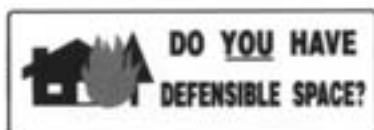
P51-118C 34" x 42"  
Black and red on white  
P51-118D 44" x 54"  
Black and red on white



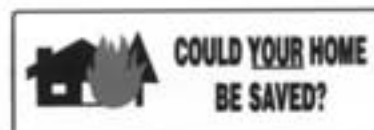
P51-118A 12" x 14"  
Black and red on white



P51-119A 12" x 14"  
Black and red on white



P51-118B 16" x 44"  
Black and red on white



P51-119B 16" x 44"  
Black and red on white

---



P51-119C 34" x 42"  
Black and red on white

P51-119D 44" x 54"  
Black and red on white



P51-120B 16" x 44"  
Black and red on white



P51-120A 12" x 14"  
Black and red on white



P51-120C 34" x 42"  
Black and red on white

P51-120D 44" x 54"  
Black and red on white

## REQUEST FOR CUSTOM SIGN QUOTE - UNICOR SIGN FACTORY

From: \_\_\_\_\_  
 Agency: \_\_\_\_\_  
 Fax: \_\_\_\_\_  
 Phone: \_\_\_\_\_  
 Address: \_\_\_\_\_  
 \_\_\_\_\_

To: **UNICOR Sign Factory**  
 Fax: **805/735-4507**  
 Phone: **805/735-6211**

<b>TYPE OF SIGN REQUESTING:</b>	<b>QUANTITY:</b>
<b>ROUGH DRAWING OF SIGN:</b>	<b>ADDITIONAL INFORMATION:</b>

**1. TYPE OF SUBSTRATE:**

ALUMINUM: \_\_\_\_\_ THICKNESS \_\_\_\_\_ .080 STANDARD / .032 THIN / .063 / MED / .125 THICK  
 WOOD: \_\_\_\_\_ THICKNESS \_\_\_\_\_ .75 STANDARD / .50 MED  
 PLASTIC: \_\_\_\_\_ THICKNESS \_\_\_\_\_ .023 STANDARD / .063 MED / .125 THICK  
 FIBERGLASS: \_\_\_\_\_ THICKNESS \_\_\_\_\_ .060 STANDARD / .120 THICK  
 DECAL: \_\_\_\_\_ MAGNETIC \_\_\_\_\_ PHOSPHORESCENT (GREENISH-YELLOW) \_\_\_\_\_

**2. SIZE OF SIGN**                      WIDTH \_\_\_\_\_                      HEIGHT \_\_\_\_\_                      LETTER HEIGHT \_\_\_\_\_

- A. IS THIS SIGN FROM A CATALOG? NAME: \_\_\_\_\_ PAGE \_\_\_\_\_
- B. DOES THIS SIGN HAVE TO BE THIS SIZE OR CAN IT BE MODIFIED?
- C. WILL THIS SIGN BE MOUNTED ON EXISTING POSTS?
- D. IF UNSURE, CAN THE FACTORY DETERMINE THE BEST SIZE FOR YOUR SIGN?

**HAVE YOU ORDERED THIS SIGN BEFORE?**                      **WHEN?** \_\_\_\_\_                      **REF.#** \_\_\_\_\_

**3. BACKGROUND COLOR OF SIGN?** \_\_\_\_\_                      REFLECTIVE \_\_\_\_\_  
 ENGINEERING GRADE \_\_\_\_\_ HIGH-INTENSITY \_\_\_\_\_                      DIAMOND GRADE \_\_\_\_\_ NON-REFLECTIVE \_\_\_\_\_

**5. DO YOU WANT A BORDER ON YOUR SIGN?**  
 THICKNESS? \_\_\_\_\_ INSET AND HOW MUCH? \_\_\_\_\_ WOULD YOU LIKE US TO DECIDE? \_\_\_\_\_

**6. DO YOU WANT THE BACK PAINTED?**                      COLOR \_\_\_\_\_

**7. DO YOU WANT MOUNTING HOLES?**  
 HOW MANY? \_\_\_\_\_ WHERE? \_\_\_\_\_ STANDARD \_\_\_\_\_

**8. DO YOU WANT THE CORNERS RADIUS?**  
 .188 SAFETY \_\_\_\_\_ 1" \_\_\_\_\_ 1.5" \_\_\_\_\_ STANDARD \_\_\_\_\_ WOULD YOU LIKE US TO DECIDE? \_\_\_\_\_

**9. IS THIS A DOUBLE SIDED SIGN (legend and/or illustration on both sides)?**

**10. DO YOU WANT SUPPORT FOR THIS SIGN?**  
 Z-BARS \_\_\_\_\_ L-RAILS \_\_\_\_\_ OTHER \_\_\_\_\_

**IF YOU ARE NOT SURE ON ANY OF THE QUESTIONS ABOVE OR WANT US TO DECIDE PLEASE LET US KNOW IN THE COMMENTS AREA BELOW.**

**SPECIAL INSTRUCTIONS OR COMMENTS:** \_\_\_\_\_  
 \_\_\_\_\_

**IF YOU HAVE ANY QUESTIONS PLEASE FAX OR CALL.**



# **Appendix D**

## **Sources for Additional Information**

## **Resources and Additional Sources of Information**

### **People within your organization:**

Fire management officer  
Recreation staff members  
Engineering/Roads

### **Publications:**

Organizational Manuals and Handbooks

Unit Wildfire Prevention Analysis and Plan

Sign Installation Guide, USDA Forest Service, July 2003, 0371-2812-MTDC, Missoula Technology & Development Center

NWCG Wildfire Prevention Strategies, PMS 455, NFES 1572

NWCG Gaining an Understanding of the National Fire Danger Rating System, PMS 932, NFES 2665

### **Websites:**

#### **National Symbols Web Catalog**

<http://www.symbols.gov>

#### **UNICOR Sign Factory**

<http://www.unicor.gov>

**Missoula Technology and Development Center**

<http://www.fs.fed.us/t-d/> (User name: t-d Password: t-d)

5785 Hwy 10 West, Missoula, MT 59808 Phone: 406-329-3978

**National Park Service Sign Standards**

<http://www.nps.gov/npsigns/>

**Bureau of Land Management National Sign Center**

<http://www.wy.blm.gov/signs/>

**Wildland Fire Websites Index**

<http://www.nwcg.gov/teams/wfewt/biblio/index.htm>

**National Wildfire Coordinating Group**

<http://www.nwcg.gov>

**National Interagency Fire Center**

Wildland Prevention and Education Page

<http://www.nifc.gov/preved/index.html>

**San Dimas Technology and Development Center**

<http://www.fs.fed.us/eng/techdev/sdt/dc.htm>

444 East Bonita Ave., San Dimas, CA 91773 Phone: 909-599-1267

**The Advertising Council**

<http://www.adcouncil.org/campaigns>

The following URL (intranet not internet) will connect only from USFS and BLM computers. There are several informative links available through this internal address.

**Sign and Poster Guidelines for the Forest Service**

EM-7100-15 (Engineering Management)

<http://fsweb.wo.fs.fed.us/eng/programs/signs.htm>