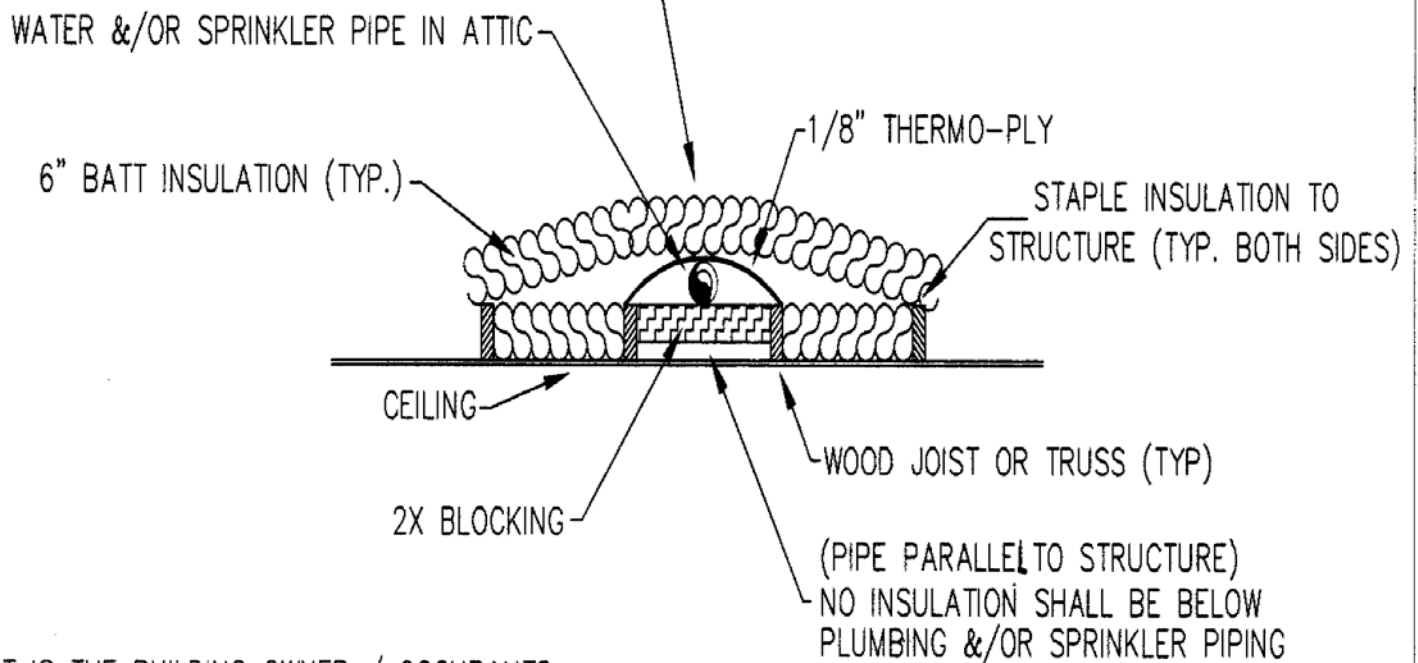


NOTE:

THIS INSULATION IS FOR THE PROTECTION OF THE PLUMBING &/OR FIRE SPRINKLER FROM FREEZING. 60° OUTSIDE TEMP. AND 48° INSIDE TEMP. ANY OTHER BUILDING INSULATION REQUIRED TO MEET CODES MUST BE PLACED OVER THIS INSULATION.



IT IS THE BUILDING OWNER / OCCUPANTS  
RESPONSIBILITY TO MAINTAIN A MINIMUM  
TEMP. OF 48° INSIDE THE BUILDING

FREEZE PROTECTION – DETAIL 'B'