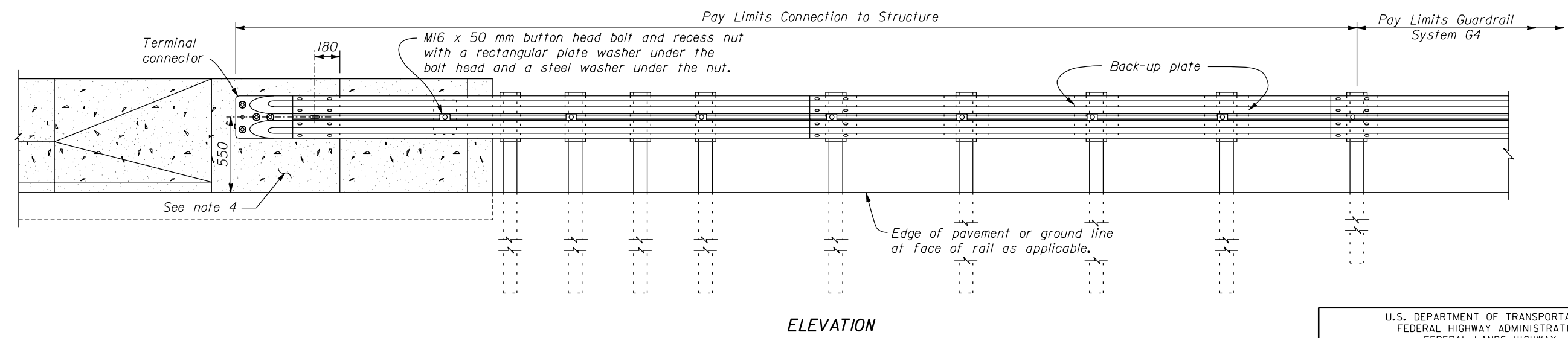
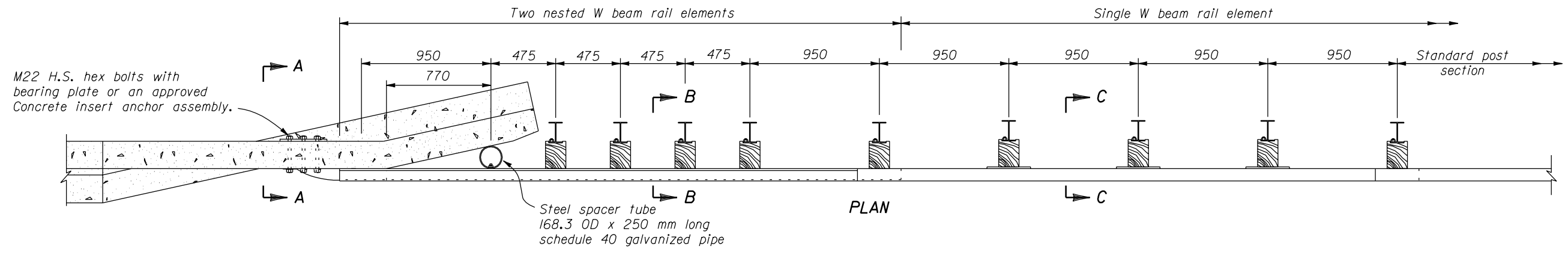


- NOTE:**
- Dimensions not labeled are in millimeters.
 - Reinforced concrete wall or bridge parapet must be capable of developing a 265 kN pull out strength.
 - Connect steel spacer tube to rail element only.
 - Where reinforced concrete flare back transition section is required, See Standard M617-32 or plan sheets, as appropriate, for details.



U.S. DEPARTMENT OF TRANSPORTATION
FEDERAL HIGHWAY ADMINISTRATION
FEDERAL LANDS HIGHWAY

METRIC STANDARD
G4 W BEAM GUARDRAIL
CONNECTION TO STRUCTURE
VERTICAL FLARED BACK
STEEL POSTS

STANDARD APPROVED FOR USE 3/1996
REVISED: 12/1997

STANDARD
M617-31

NO SCALE