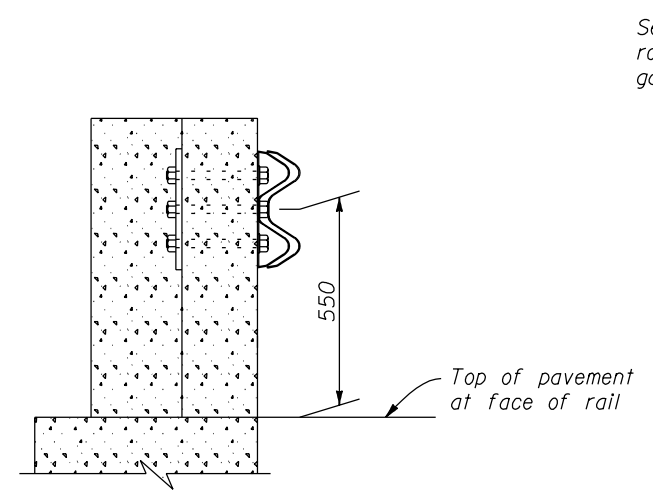
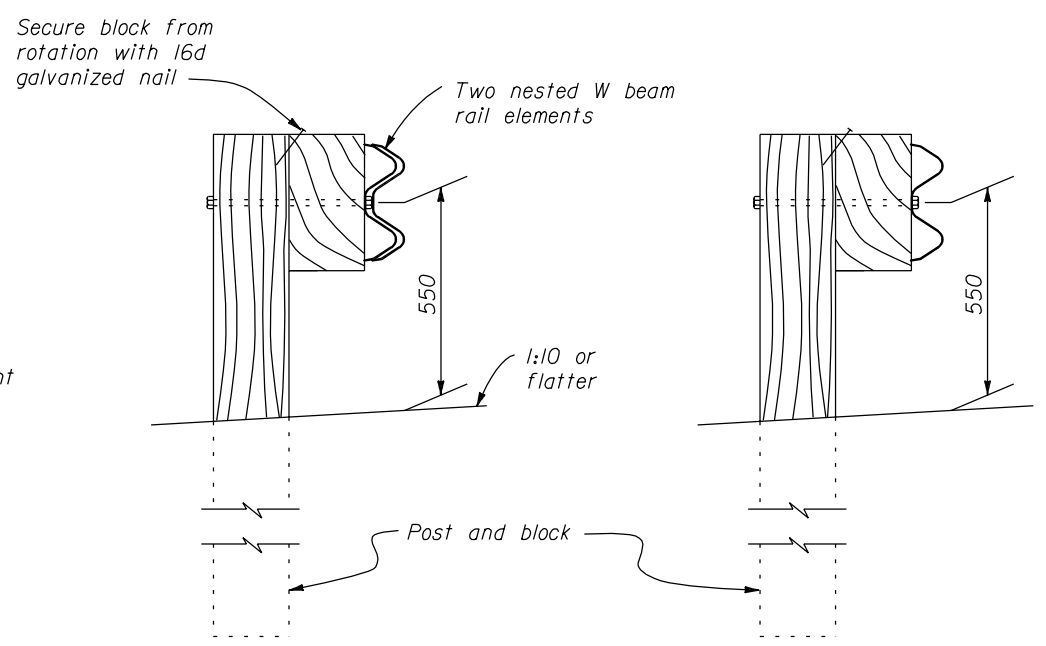


**BEARING PLATE**



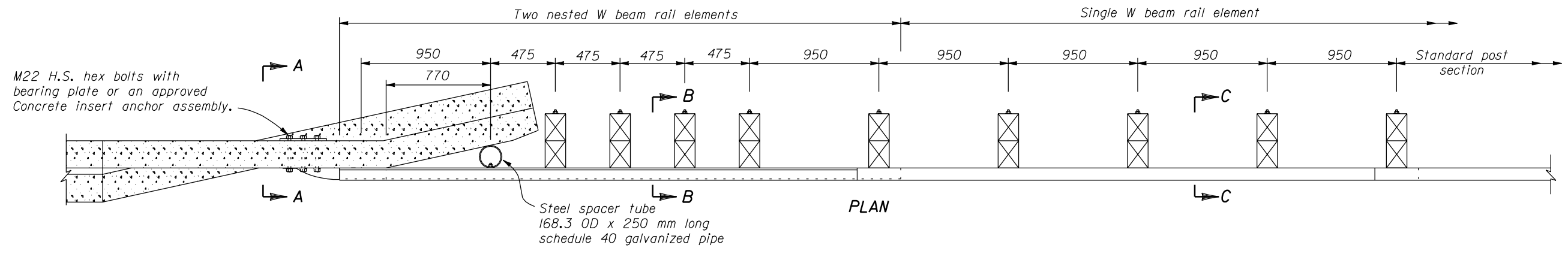
**SECTION A-A**



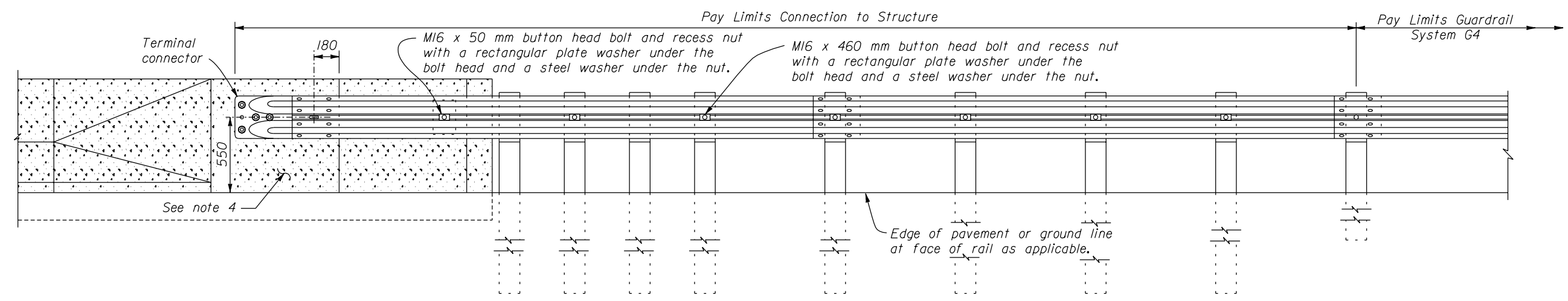
**SECTION B-B**

**SECTION C-C**

- NOTE:**
1. Dimensions not labeled are in millimeters.
  2. Reinforced concrete wall or bridge parapet must be capable of developing a 265 kN pull out strength.
  3. Connect steel spacer tube to rail element only.
  4. Where reinforced concrete flare back transition section is required, See Standard M617-32 or plan sheets, as appropriate, for details.



**PLAN**



**ELEVATION**

U.S. DEPARTMENT OF TRANSPORTATION  
 FEDERAL HIGHWAY ADMINISTRATION  
 FEDERAL LANDS HIGHWAY

**METRIC STANDARD**  
**G4 W BEAM GUARDRAIL**  
**CONNECTION TO STRUCTURE**  
**VERTICAL FLARED BACK**  
**WOOD POSTS**

STANDARD APPROVED FOR USE 3/1996  
 STANDARD  
 M617-30

NO SCALE

22 NOV 2000 f:\standrow\metric\mst61730.dgn