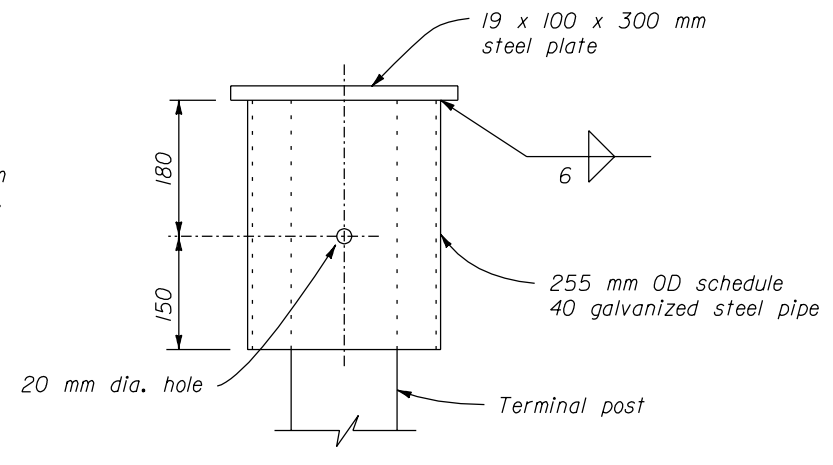
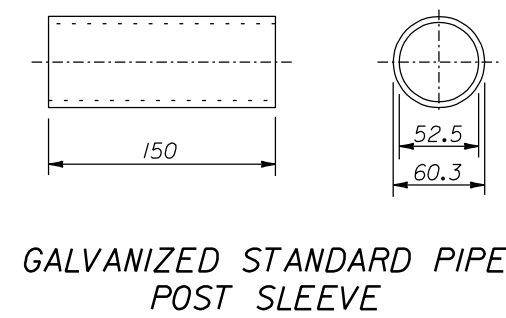


**DETAIL A**

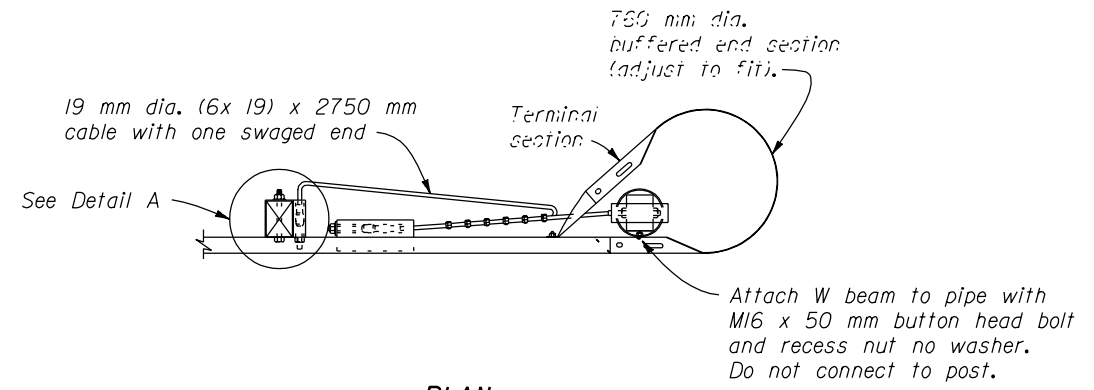


**DETAIL B**

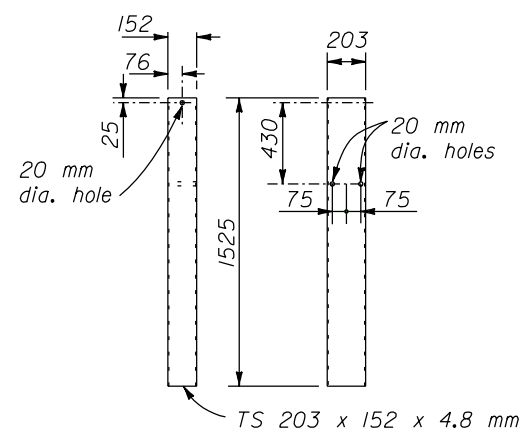


**GALVANIZED STANDARD PIPE POST SLEEVE**

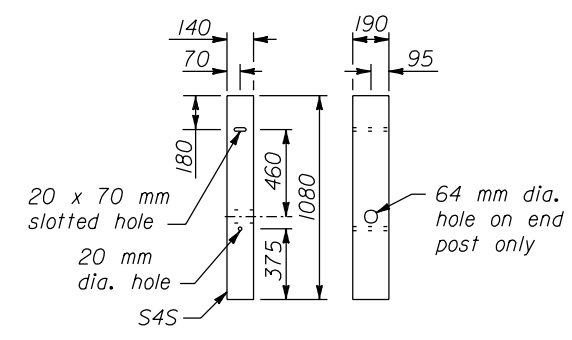
- NOTE:**
- Dimensions not labeled are in millimeters.
  - Dimensional tolerances not shown or implied are intended to be those consistent with the proper functioning of the part, including its appearance, and accepted manufacturing practices.
  - Furnish hardware in the metric sizes shown. Equivalent imperial sizes may be used when metric sizes are not available.



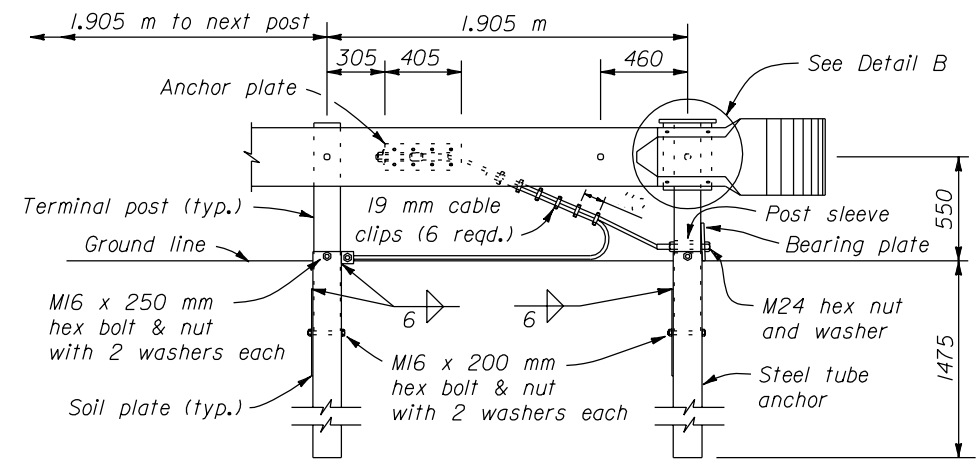
**PLAN**



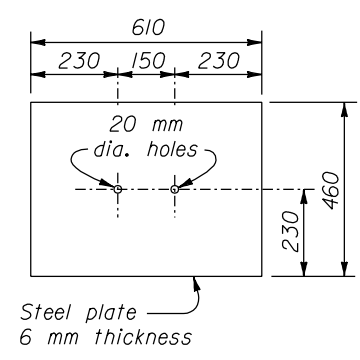
**STEEL TUBE ANCHOR**



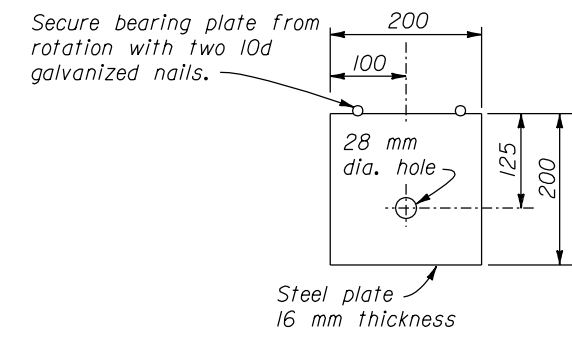
**TERMINAL POST**



**ELEVATION ANCHORAGE ASSEMBLY**



**SOIL PLATE (2 reqd.)**



**BEARING PLATE**

U.S. DEPARTMENT OF TRANSPORTATION  
FEDERAL HIGHWAY ADMINISTRATION  
FEDERAL LANDS HIGHWAY

**METRIC STANDARD**  
**CRT W BEAM GUARDRAIL**  
**STEEL TUBE ANCHOR**  
**CRT ANCHORAGE ASSEMBLY**  
**CRT POSTS**

STANDARD APPROVED FOR USE 3/1996  
REVISIONS:

STANDARD  
**M617-22**

NO SCALE

22 NOV 2000 f:\standrow\metric\m61722.dgn