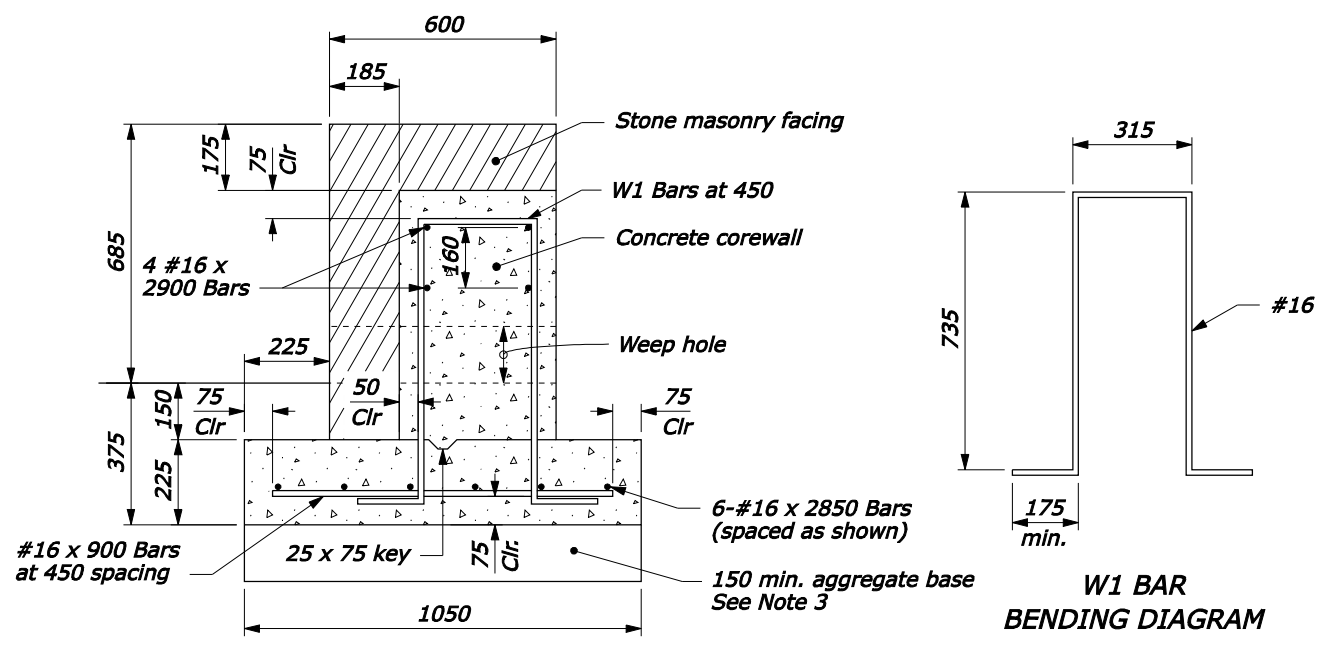
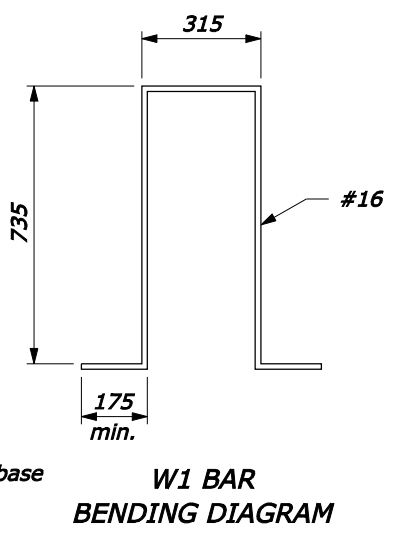


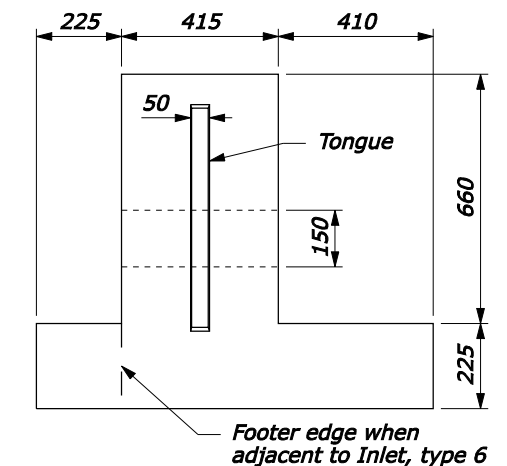
**PRECAST CONCRETE COREWALL**



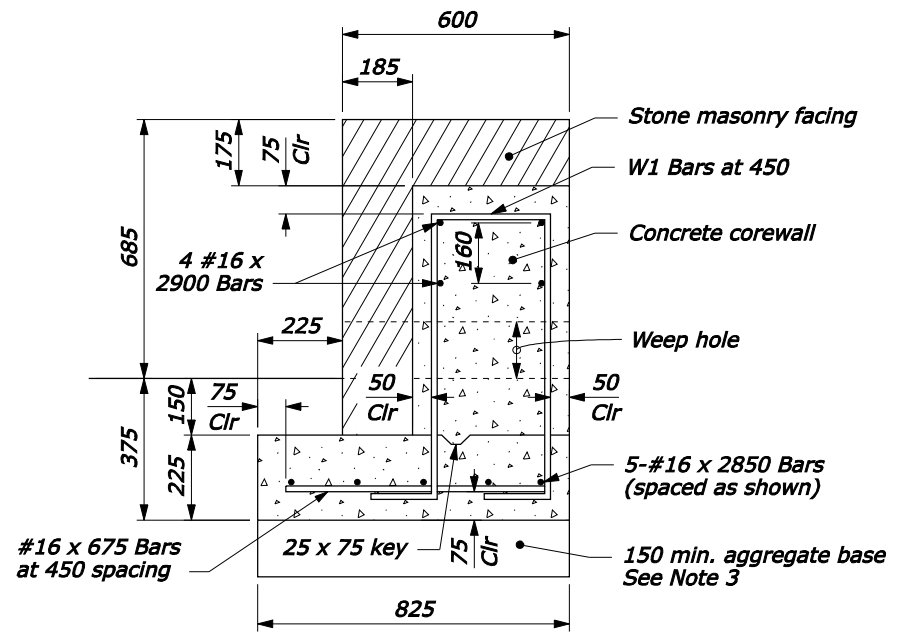
**TYPICAL GUARDWALL CROSS SECTION (SINGLE FACE ADJACENT TO CUT SLOPE)**



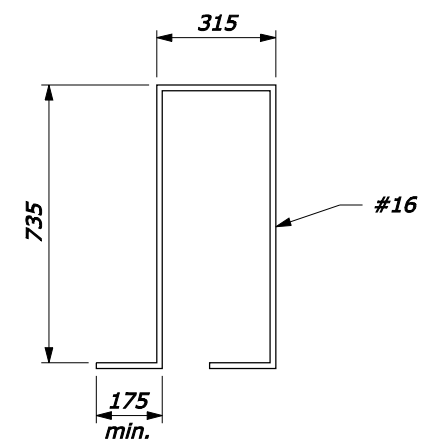
**W1 BAR BENDING DIAGRAM**



**END VIEW**



**TYPICAL GUARDWALL CROSS SECTION (SINGLE FACE ADJACENT TO INLET, TYPE 6A)**



**W1 BAR BENDING DIAGRAM**

**NOTE:**

1. Form construction joints in the corewall at 9 m intervals or, at the option of the Contractor, the corewall may be constructed of precast concrete units.
2. On curves with radius less than 50 m, the corewall is to be cast-in-place.
3. The depth of base may be less than 150 mm as directed by the CO, when the foundation is on either rock fill or solid rock.
4. See Typical Section for guardwall offset distance and pavement structure.
5. Set galvanized metal slots with anchors for the stone work or other approved type of metal anchors in the concrete. Equivalent attachment systems are allowed with the approval of the CO.
6. Dimensions without units are millimeters

U.S. DEPARTMENT OF TRANSPORTATION FEDERAL HIGHWAY ADMINISTRATION FEDERAL LANDS HIGHWAY METRIC STANDARD	
<b>STONE MASONRY GUARDWALL (SINGLE FACE)</b>	
STANDARD APPROVED FOR USE 6/2005	STANDARD M620-1
REVISED:	

NO SCALE

06-Nov-2007 08:41 AM  
fp://196.145.188.2/scd\_plan/s62001.dgn [Metric]