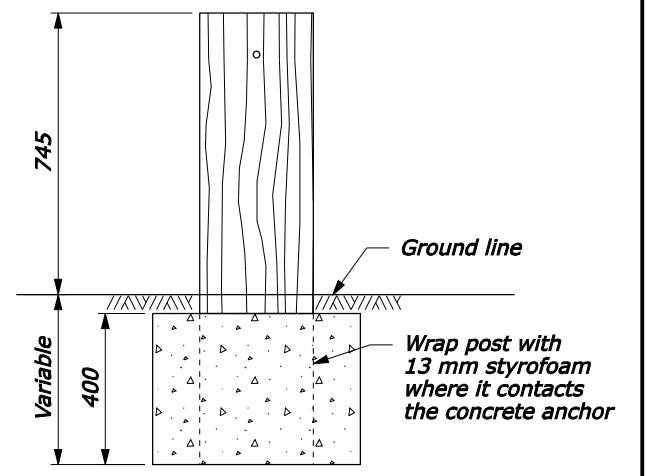
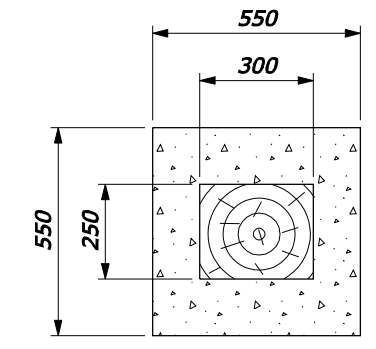
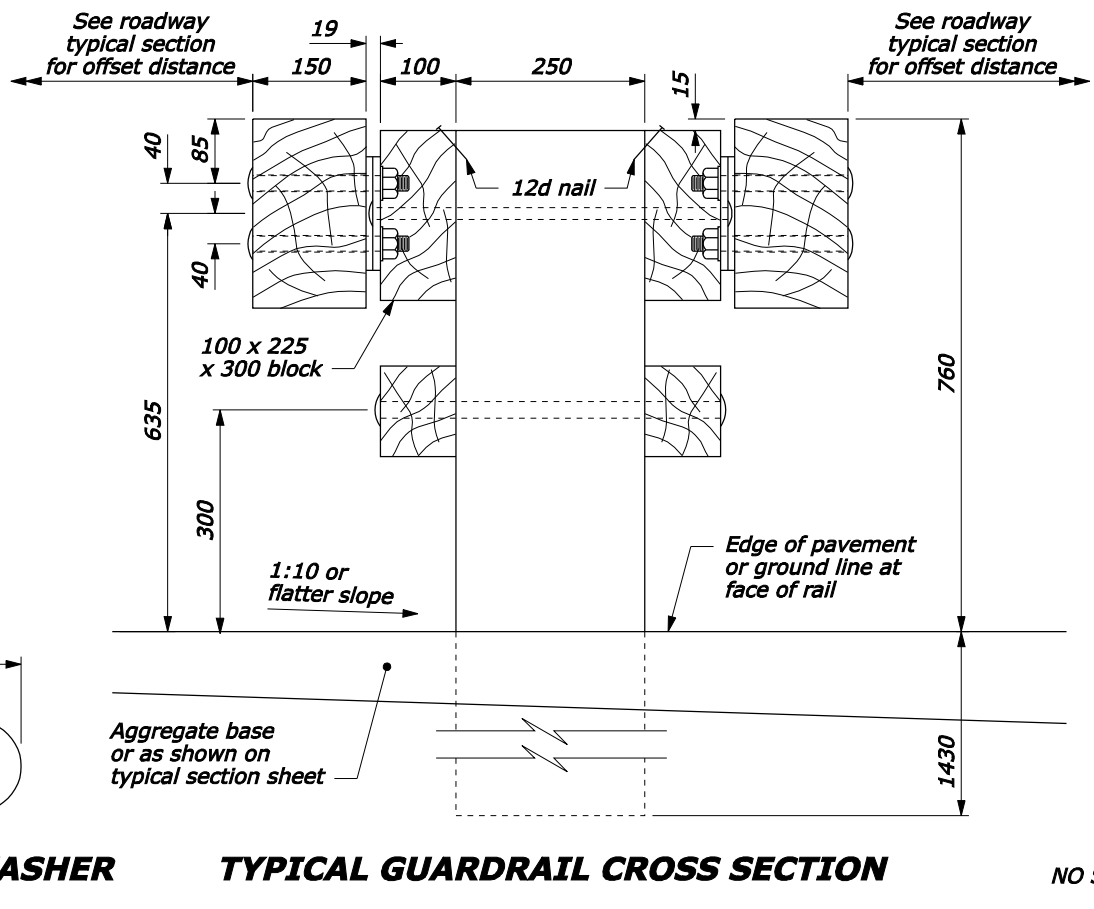
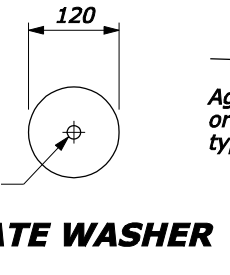
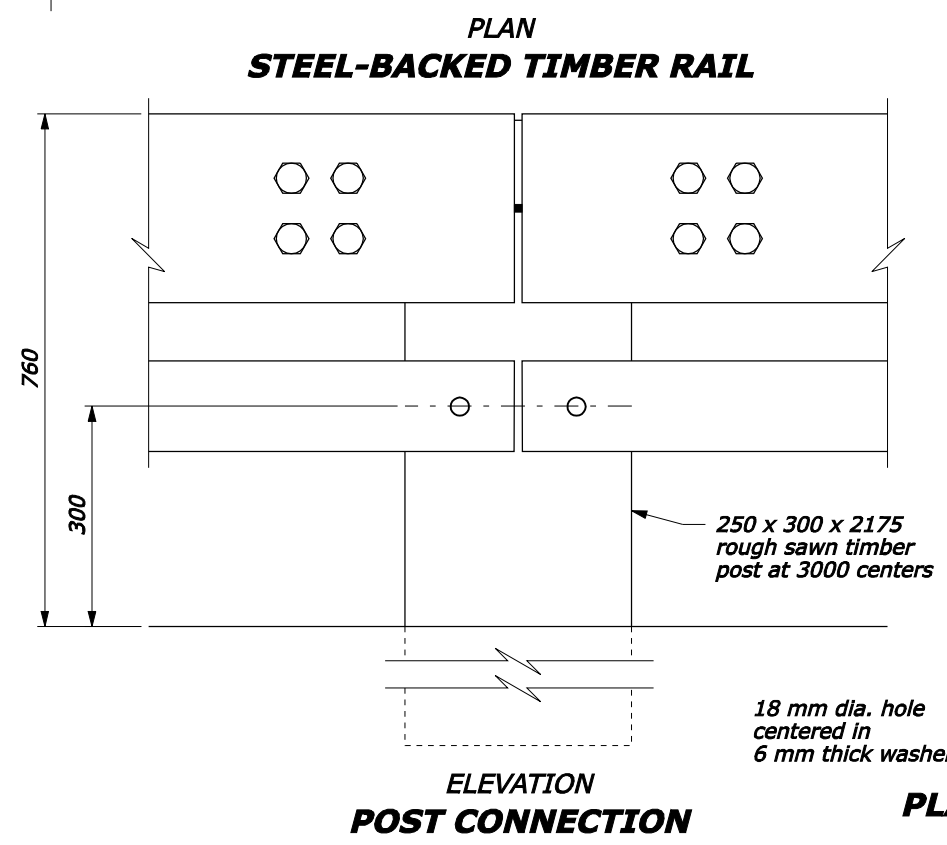


- NOTE:**
1. Use weathering steel for all structural steel and fastener hardware as specified.
 2. Place a terminal section on both approach and trailing ends of barrier installations. (See Standards M617-61 and M617-62)
 3. Use outer hole pattern when connecting two rubrails to post (75 mm from edge). Use center hole pattern when connecting one rubrail to post (150 mm from edge).
 4. Furnish hardware in the metric sizes shown. Equivalent imperial sizes may be used when metric sizes are not available.
 5. Dimensions without units are millimeters.



Use 600 mm diameter round anchor. Reduced size acceptable in solid rock.

CONCRETE ANCHOR FOR SHORT GUARDRAIL POST



NO SCALE

U.S. DEPARTMENT OF TRANSPORTATION
FEDERAL HIGHWAY ADMINISTRATION
FEDERAL LANDS HIGHWAY
METRIC STANDARD

STEEL-BACKED TIMBER GUARDRAIL, MEDIAN, TYPE A

STANDARD APPROVED FOR USE --/--
REVISED: 9/2007
DRAFT: 9/2007

STANDARD M617-70

F:\StandDraw\std61770.dgn [Metric] 20-Sep-2007 06:51 AM