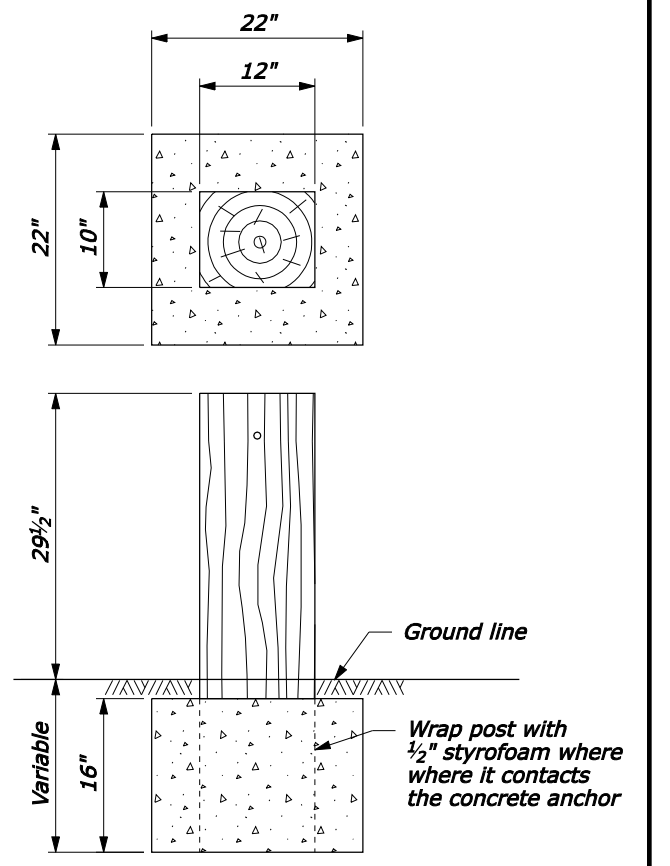


- NOTE:**
1. Use weathering steel for all structural steel and fastener hardware as specified.
  2. Place a terminal section on both approach and trailing ends of barrier installations. (See Standards 617-61 and 617-62.)
  3. Use outer hole pattern when connecting two rubrails to post (3" from edge). Use center hole pattern when connecting one rubrail to post (6" from edge).



Use 24" diameter round anchor.  
Reduced size acceptable in solid rock.

**CONCRETE ANCHOR FOR SHORT GUARDRAIL POST**

U.S. DEPARTMENT OF TRANSPORTATION FEDERAL HIGHWAY ADMINISTRATION FEDERAL LANDS HIGHWAY	
U.S. CUSTOMARY STANDARD	
<b>STEEL-BACKED TIMBER GUARDRAIL, MEDIAN, TYPE A</b>	
STANDARD APPROVED FOR USE --/----	STANDARD 617-70
REVISED: DRAFT: 9/2007	

NO SCALE