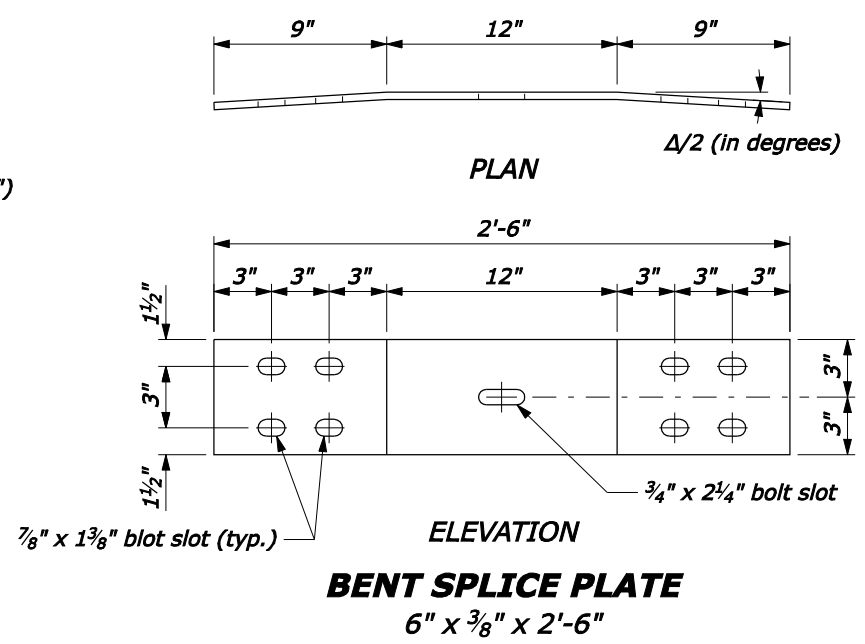
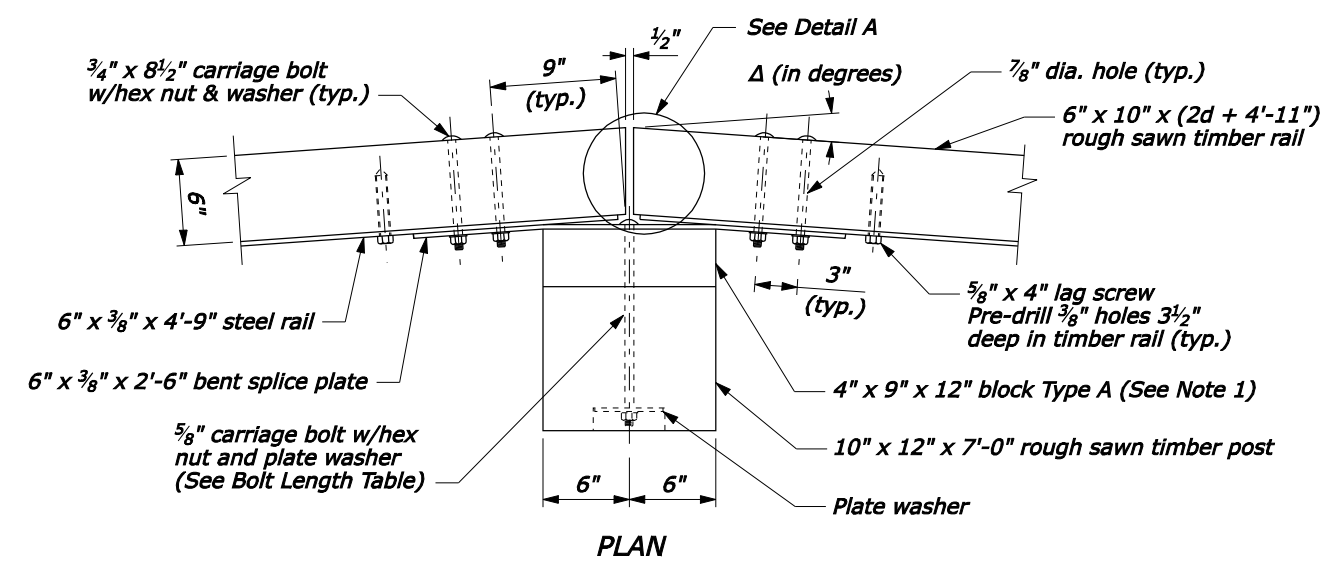


- NOTE:**
1. Use the Type A, blocked-out, system or the Type B, non-blocked-out, system as specified.
 2. Use the weathering steel for all structural steel and fastener hardware.
 3. Furnish shop bent splice plates. Use the minimum bend angle shown in the table below.
 4. See Sheet 2 of 2 for Plan View Layout.

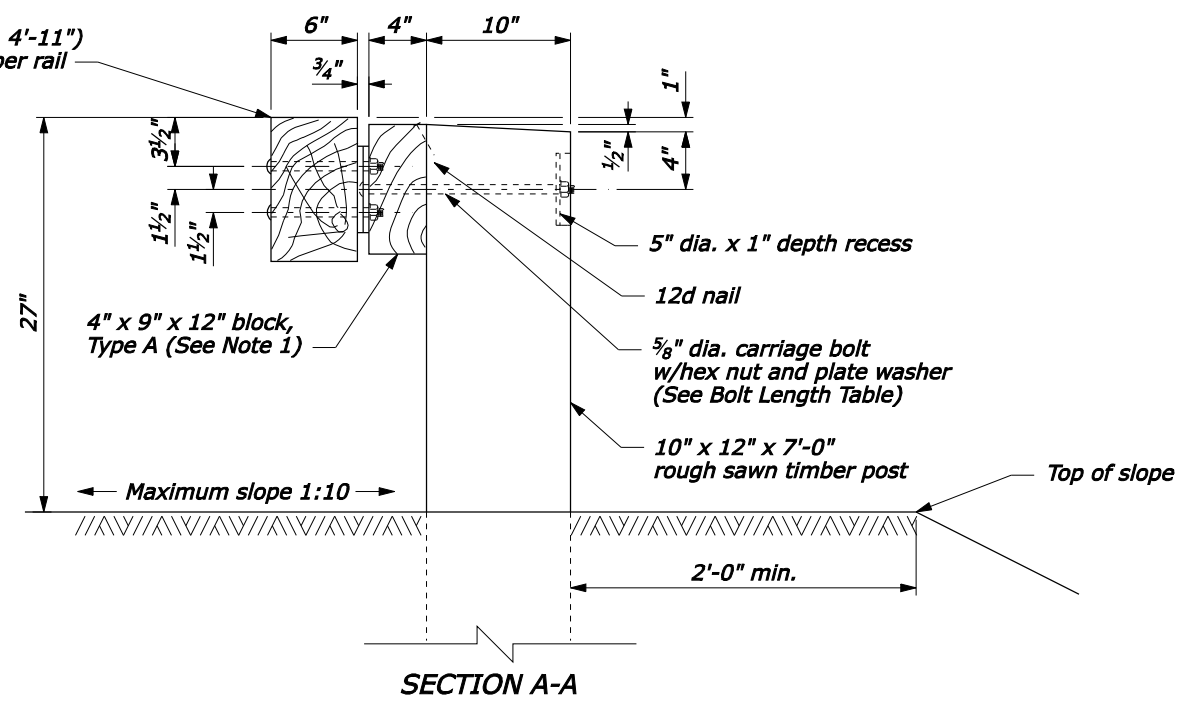
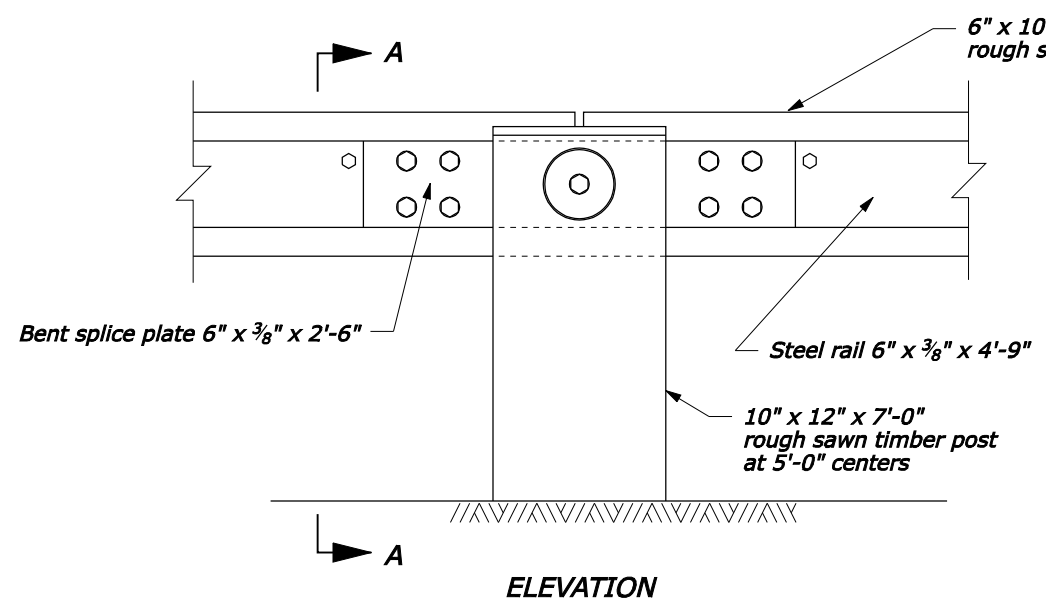


BEND AND END CUT TABLE

Radius R ft	Δ/2 degrees	d in
20	7.18	3/4
25	5.74	5/8
30	4.78	1/2
35	4.10	7/16
40	3.58	3/8
45	3.18	1/3
50	2.87	5/16
55	2.61	1/4
60	2.39	1/4
65	2.20	1/4
70	2.05	1/4
over 70	flat	0

BOLT LENGTH TABLE

Type A (Block-out)	Type B (No Block-out)
15"	11"



NO SCALE

U.S. DEPARTMENT OF TRANSPORTATION
FEDERAL HIGHWAY ADMINISTRATION
FEDERAL LANDS HIGHWAY

U.S. CUSTOMARY STANDARD
**STEEL-BACKED TIMBER GUARDRAIL
AROUND CIRCULAR CURVES
70 FOOT RADIUS AND BELOW**
Sheet 1 of 2

STANDARD APPROVED FOR USE 6/2005	STANDARD
REVISED:	617-63