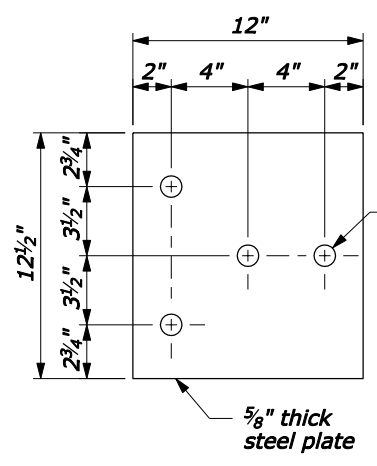
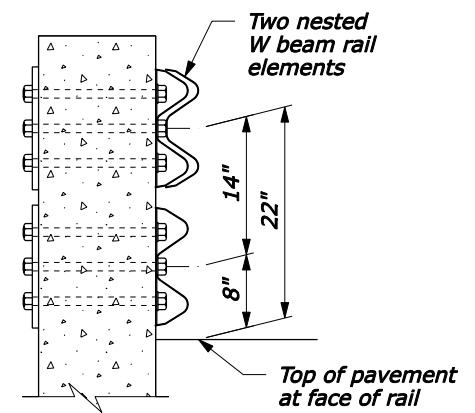


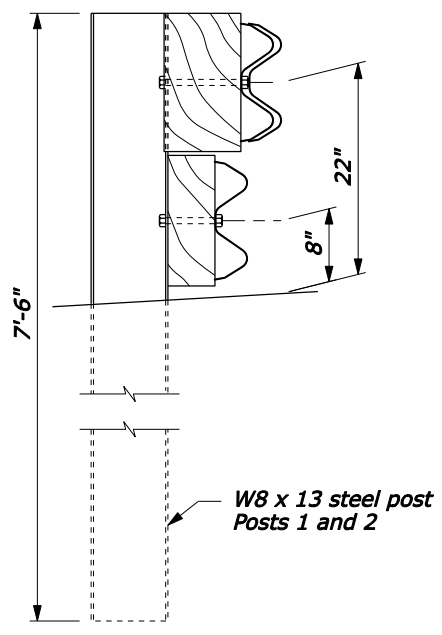
FOR COMMENT



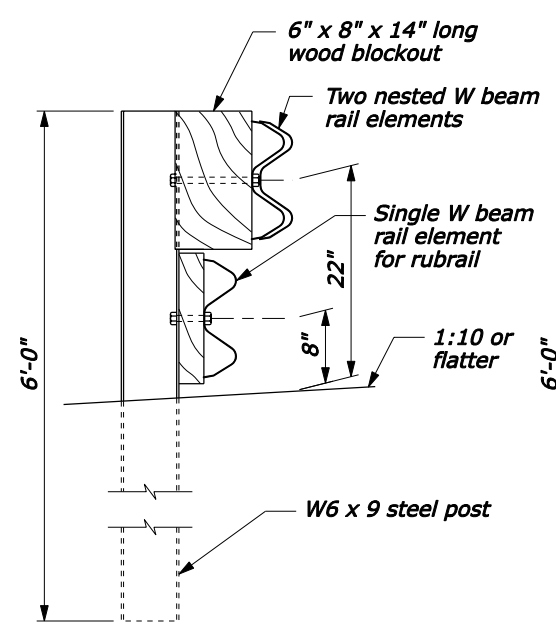
BEARING PLATE



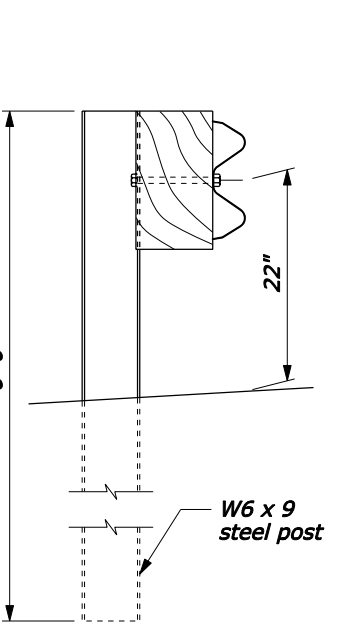
SECTION A-A



SECTION B-B



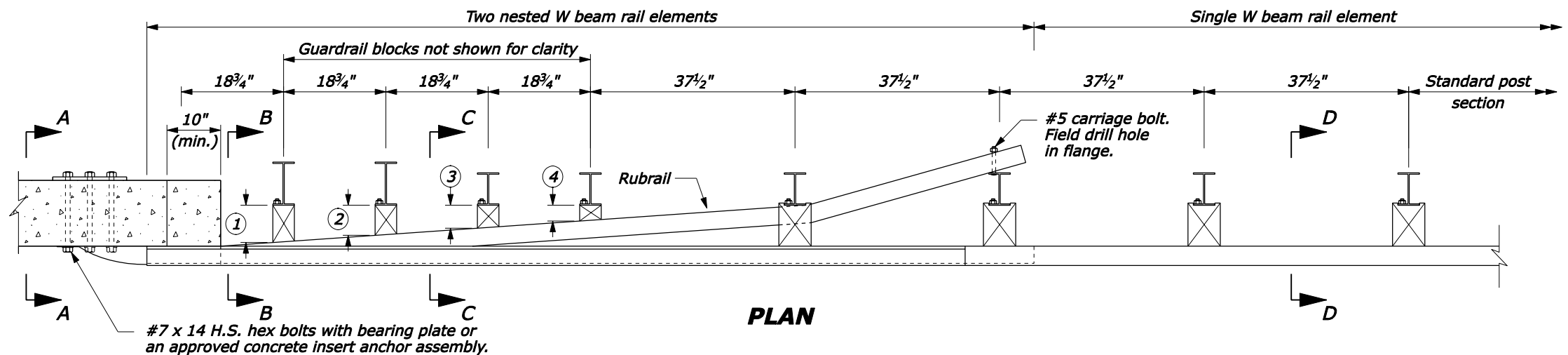
SECTION C-C



SECTION D-D

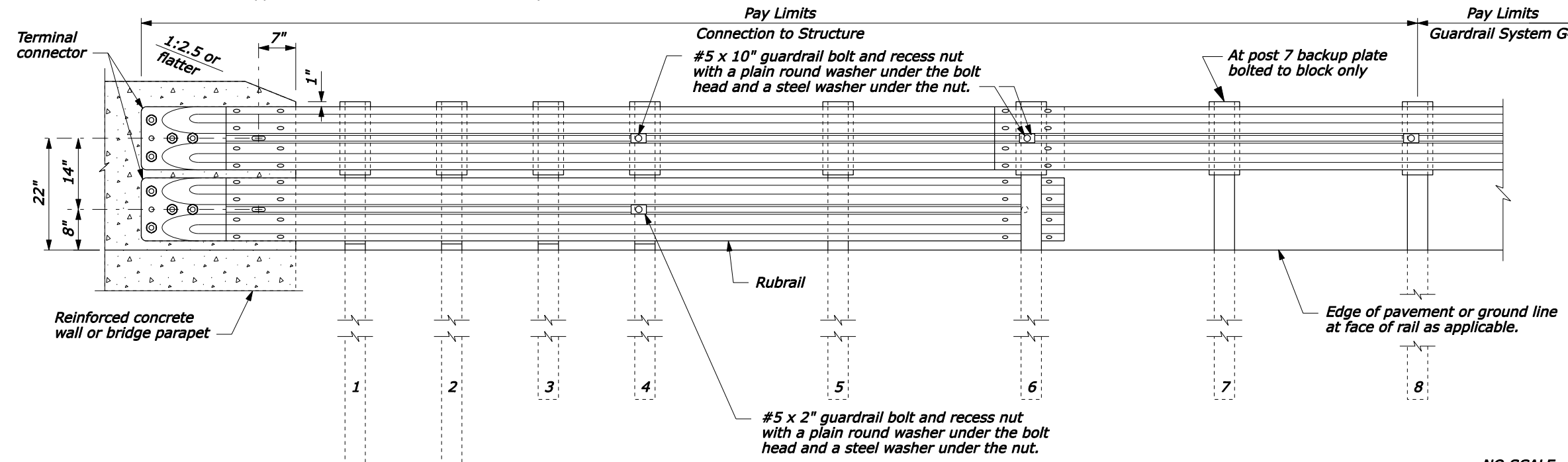
NOTE:

1. The rubrail may be shop bent in the last 37 1/2" to facilitate installation.
2. Offset drill wood blocks for rubrail to sit squarely on the post flange posts 1 through 4. Secure blocks to post 1 through 3 with #5 carriage bolts.
3. Posts 1, 2, 3, 4 and 6 require an additional hole to attach lower wood blocks and/or the rubrail.
4. Do not bolt nested W beam or rubrail W beam to posts and blocks on posts 1, 2, 3 and 5. Bolt blocks directly to posts.
5. Reinforced concrete wall or bridge parapet must be capable of developing a 59.6 kip pull out strength.

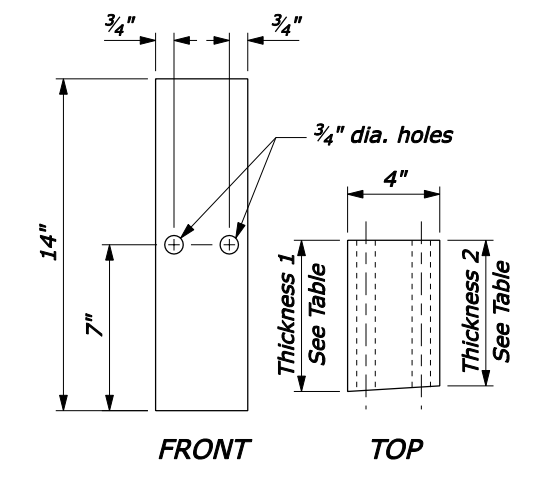


PLAN

WOOD BLOCKS FOR RUBRAIL		
POST	THICKNESS 1	THICKNESS 2
①	6 1/2"	6 1/4"
②	5 3/8"	5"
③	4"	3 5/8"
④	2 5/8"	2 7/16"
⑤	NO BLOCK	NO BLOCK



ELEVATION



WOOD BLOCK FOR RUBRAIL

U.S. DEPARTMENT OF TRANSPORTATION
FEDERAL HIGHWAY ADMINISTRATION
FEDERAL LANDS HIGHWAY

U.S. CUSTOMARY STANDARD
G4 W-BEAM GUARDRAIL CONNECTION TO VERTICAL FACE STRUCTURE STEEL POSTS

STANDARD APPROVED FOR USE --/----

REVISID: 5/2005

STANDARD 617-26

NO SCALE

5/2/2005 F:\StandDraw\Draft\18161726.dgn [US Customary]