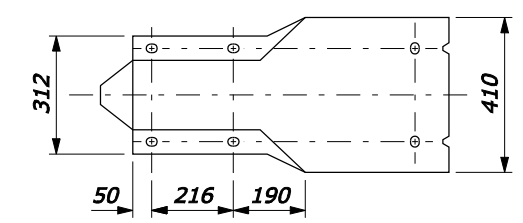
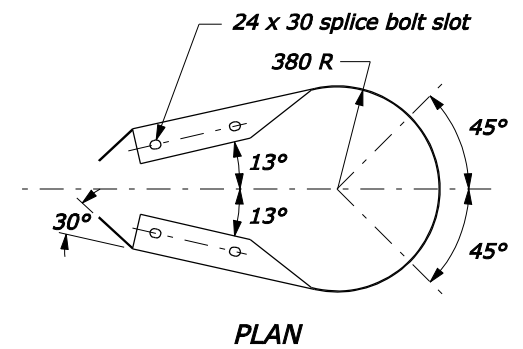
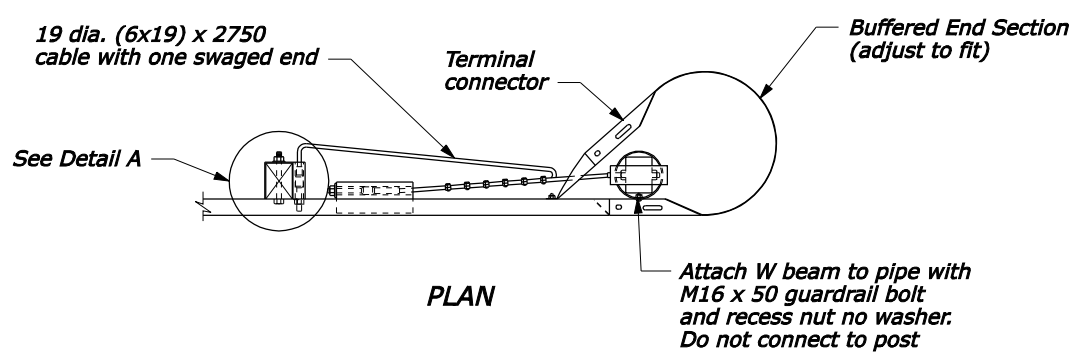
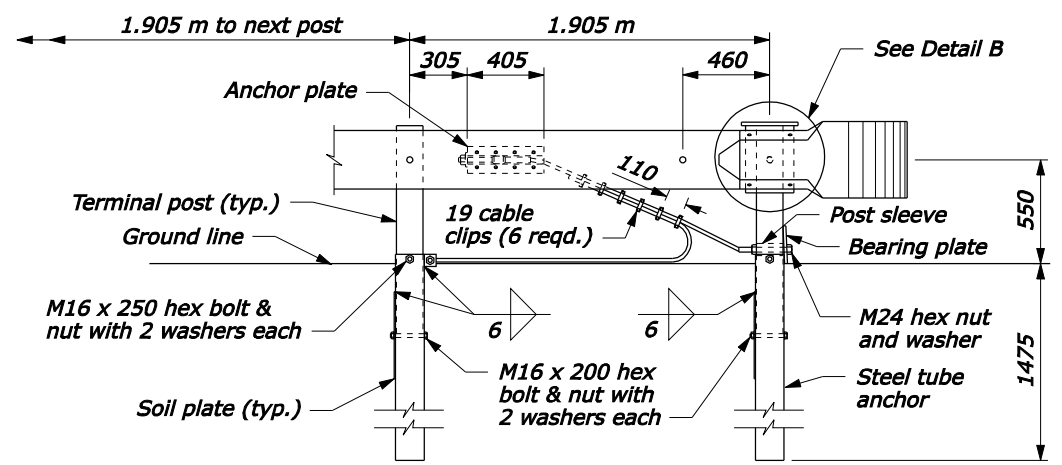


- NOTE:**
1. See Standard M617-15 for other details.
  2. Dimensional tolerances not shown or implied are intended to be those consistent with the proper functioning of the part, including its appearance, and accepted manufacturing practices.
  3. Furnish hardware in the metric sizes shown. Equivalent US Customary sizes may be used when metric sizes are not available.
  4. Dimensions without units are millimeters.



**ELEVATION  
BUFFERED END SECTION**



**ELEVATION  
ANCHORAGE ASSEMBLY**

NO SCALE

U.S. DEPARTMENT OF TRANSPORTATION FEDERAL HIGHWAY ADMINISTRATION FEDERAL LANDS HIGHWAY	
METRIC STANDARD	
<b>CRG W-BEAM GUARDRAIL CABLE RELEASING TERMINAL TYPE CRT, WOOD POSTS</b>	
STANDARD APPROVED FOR USE 3/1996	STANDARD
REVISED: 6/2005 DRAFT: 3/2006	<b>M617-22</b>

20-Mar-2006 11:10 AM F:\ShanDraw\st61722.dgn [Metric]