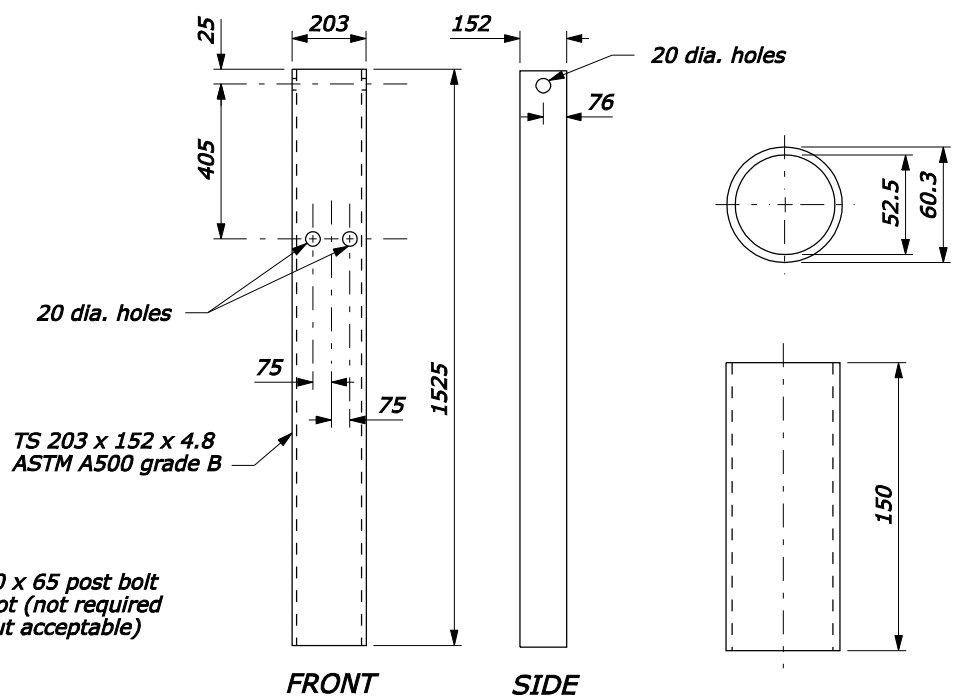


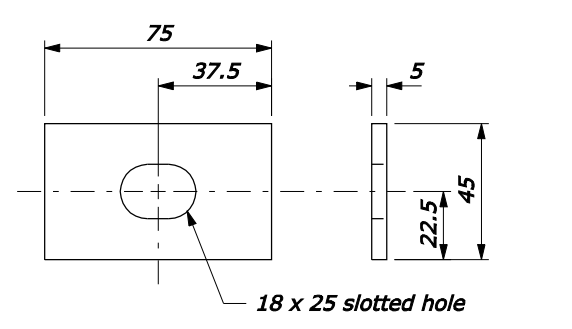
ANCHOR PLATE DETAILS FOR LST ANCHORAGE ASSEMBLY

NOTE:

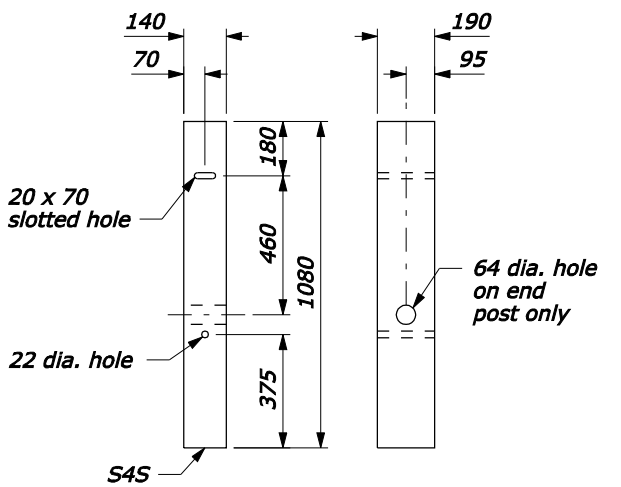
1. Dimensional tolerances not shown or implied are intended to be those consistent with the proper functioning of the part, including its appearance, and accepted manufacturing practices.
2. Furnish hardware in the metric sizes shown. Equivalent U.S. Customary sizes may be used when metric sizes are not available.
3. Dimensions without units are millimeters.



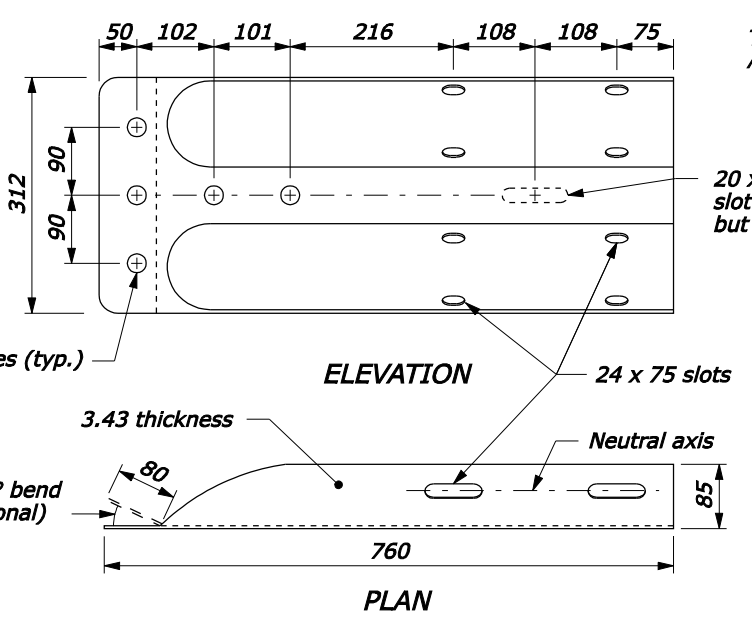
STEEL TUBE ANCHOR POST SLEEVE



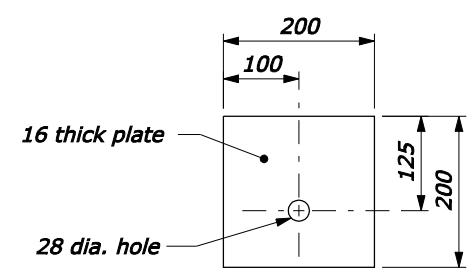
RECTANGULAR PLATE WASHER
(Use to attach the section to the post of anchorage assembly)



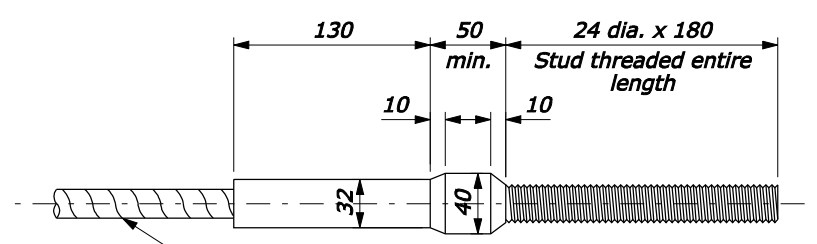
TERMINAL POST



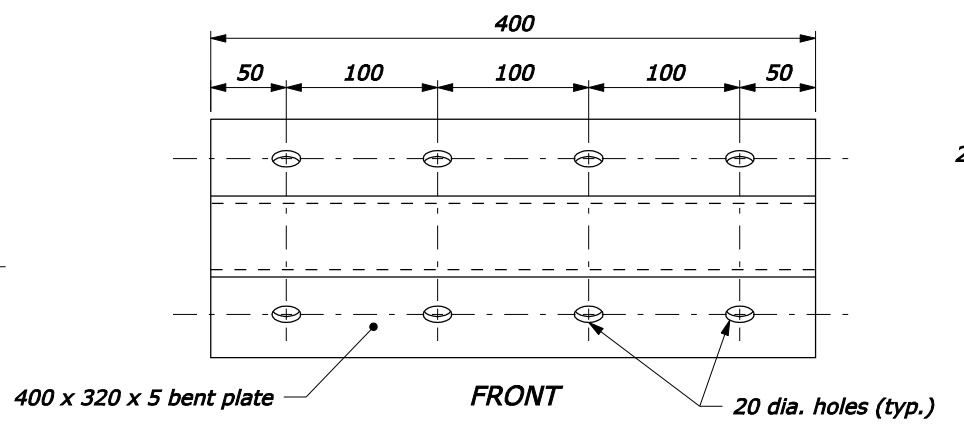
TERMINAL CONNECTOR



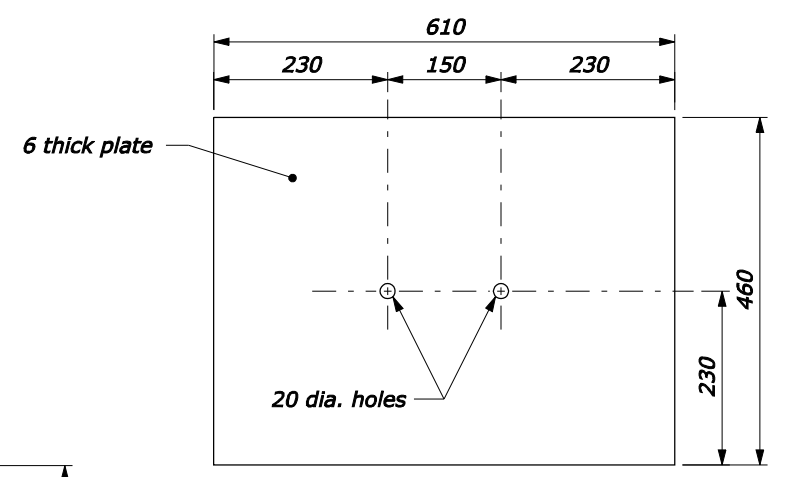
BEARING PLATE



CABLE ASSEMBLY
(Standard swaged fitting and stud)



GUARDRAIL ANCHOR PLATE



SOIL PLATE
(2 REQUIRED)

U.S. DEPARTMENT OF TRANSPORTATION
FEDERAL HIGHWAY ADMINISTRATION
FEDERAL LANDS HIGHWAY

METRIC STANDARD

**G4 W BEAM GUARDRAIL
MELT, LST & CRT ANCHORAGE
ASSEMBLY DETAILS**

STANDARD APPROVED FOR USE 3/1996

REVISD: 8/1997 12/1998 6/2005
DRAFT: 3/2007

STANDARD
M617-15

NO SCALE

12-Mar-2007 07:18 AM F:\StandDraw\std61715.dgn [Metric]