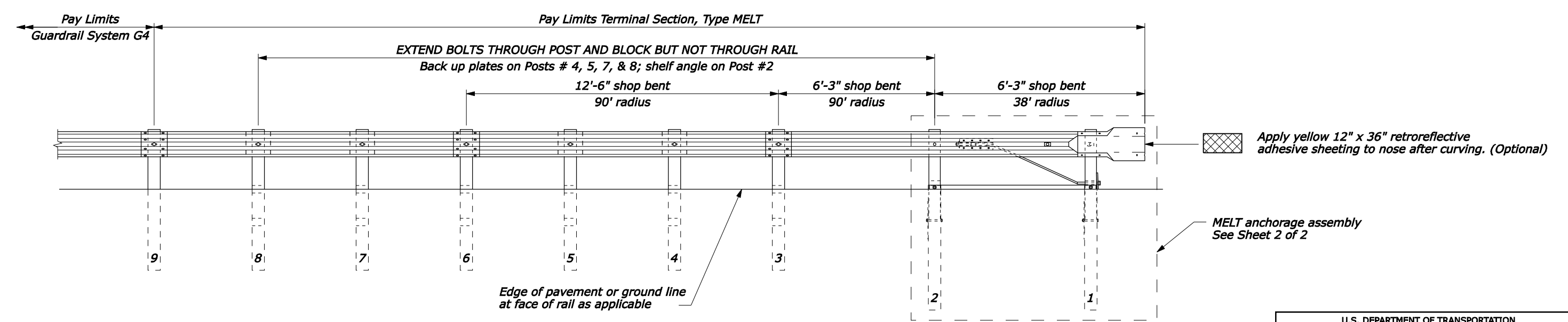
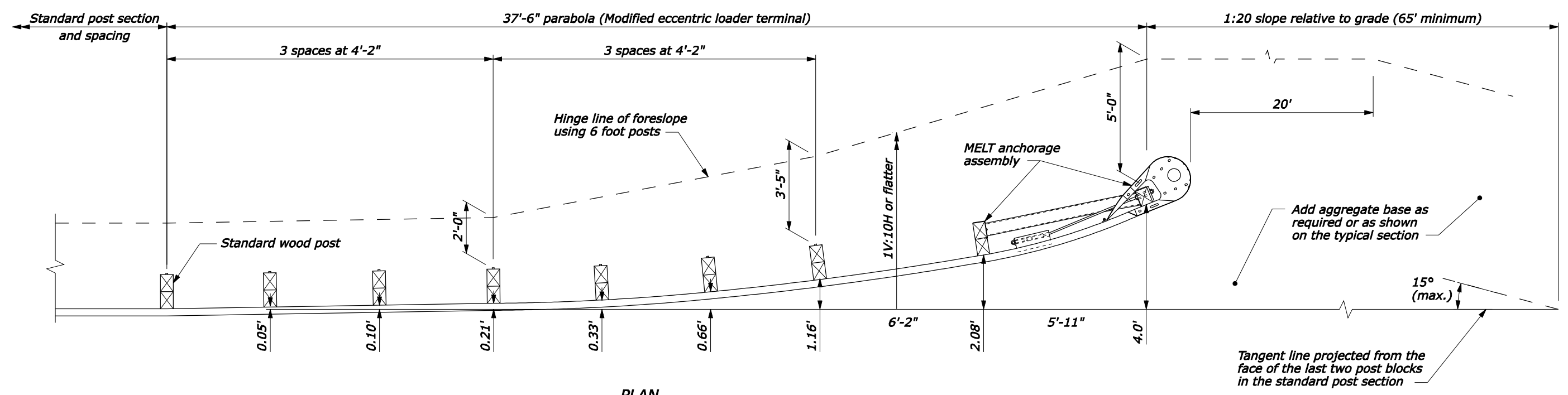


**NOTE:**

1. See Standard 617-15 for other details.
2. Do not use terminal where speeds are in excess of 45 MPH.

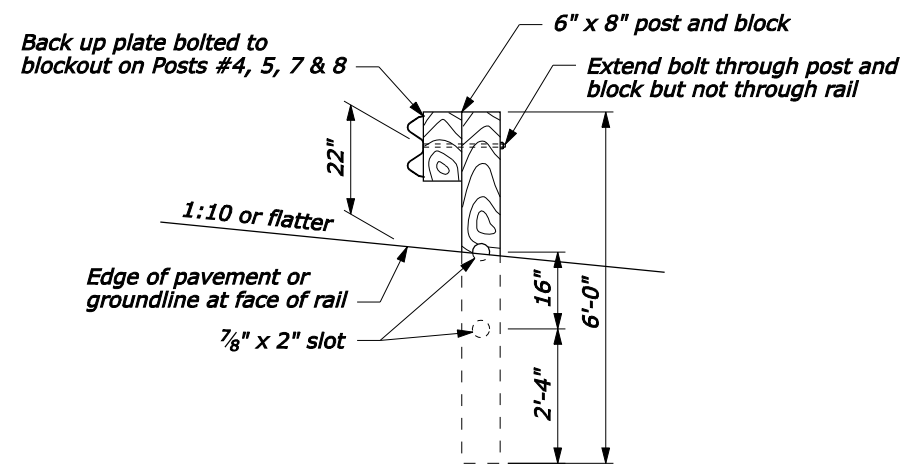
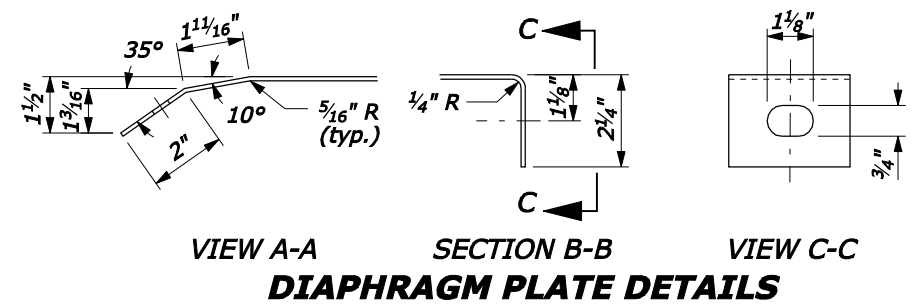


**APPROACH & DEPARTURE FLARE WITH MODIFIED ECCENTRIC LOADER TERMINAL**

NO SCALE

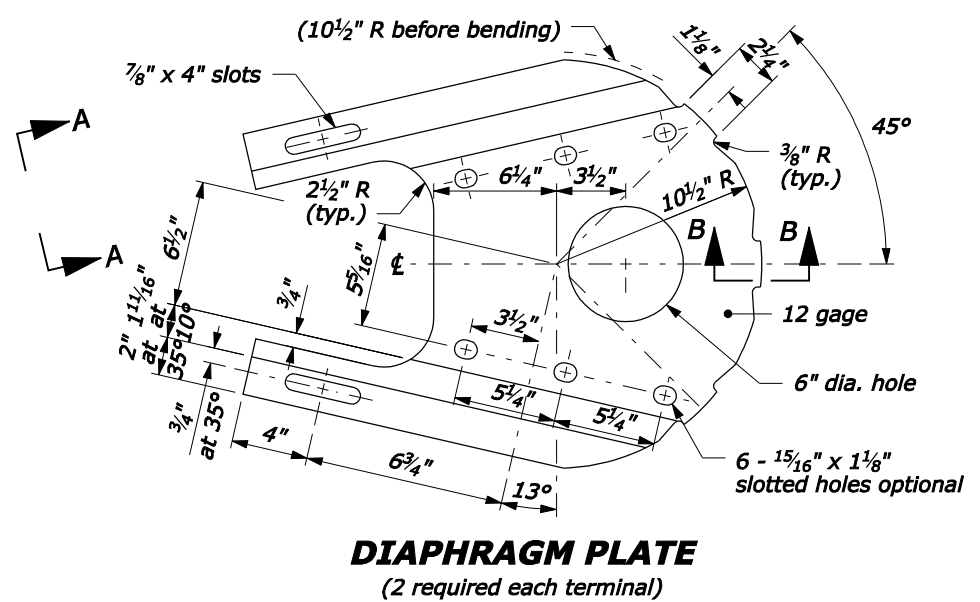
U.S. DEPARTMENT OF TRANSPORTATION FEDERAL HIGHWAY ADMINISTRATION FEDERAL LANDS HIGHWAY	
U.S. CUSTOMARY STANDARD <b>G4 W BEAM GUARDRAIL MODIFIED ECCENTRIC LOADER TERMINAL, TYPE MELT</b> Sheet 1 of 2	
STANDARD APPROVED FOR USE 1/1994	STANDARD
REVISED: 4/1994 6/2005	617-12
DRAFT: 3/2007	

F:\StdDraw\std61712.dgn [US Customary] 12-Mar-2007 09:43 AM

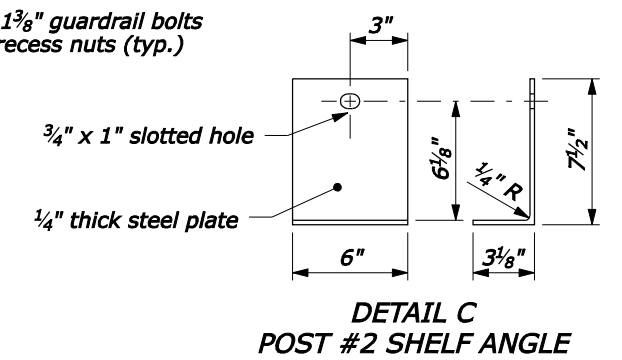
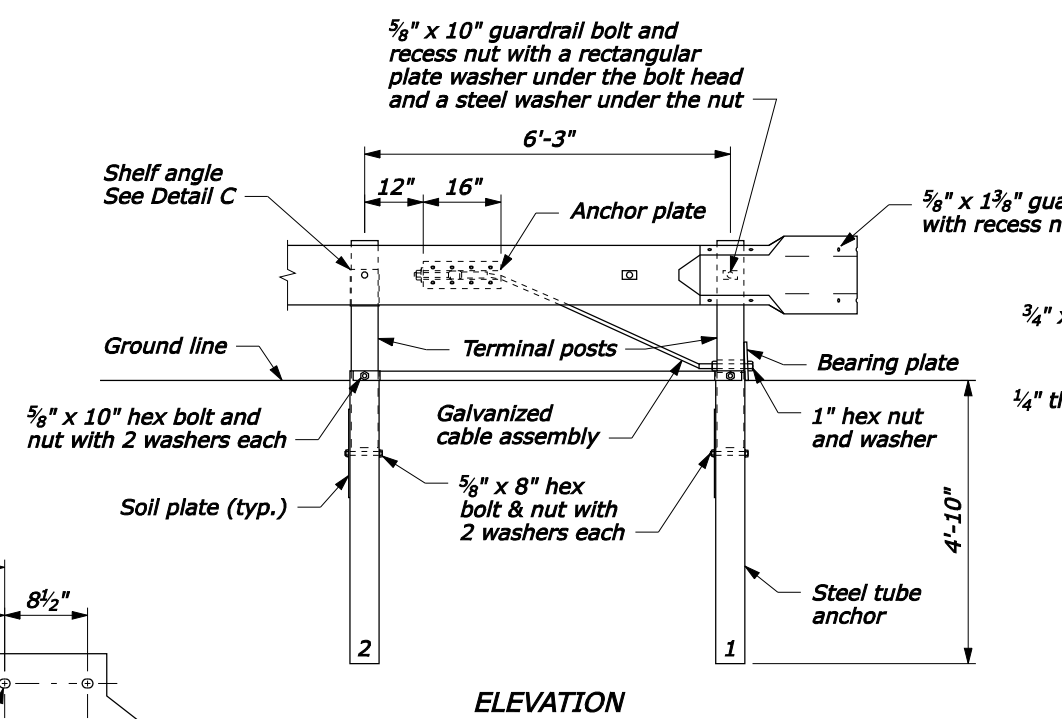
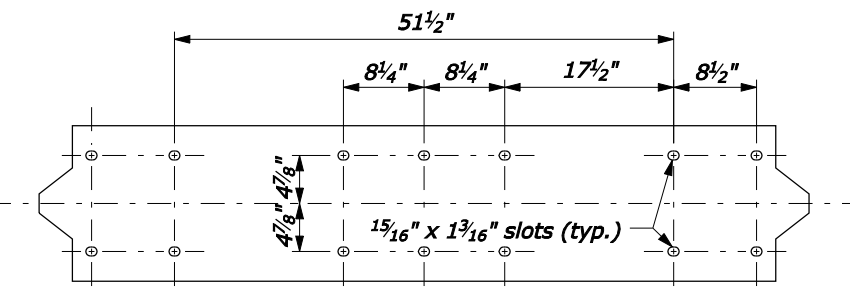
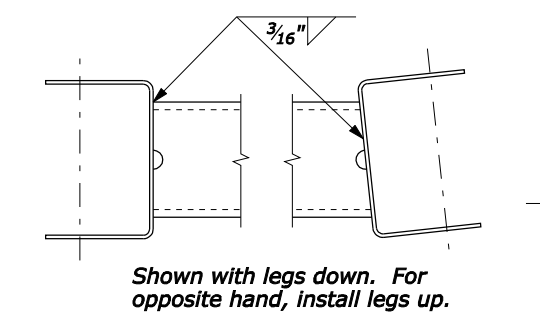
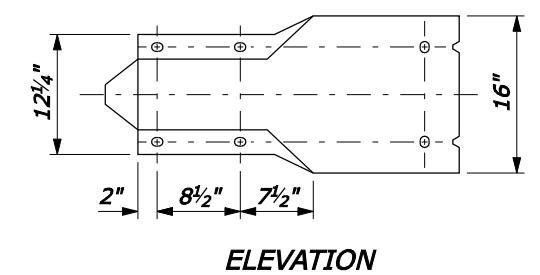
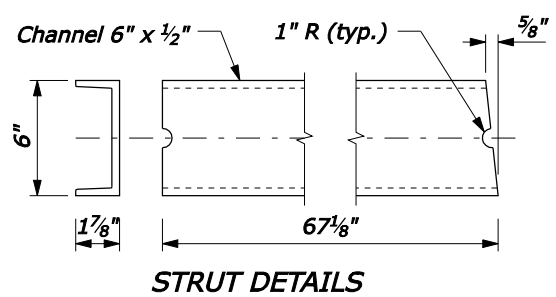
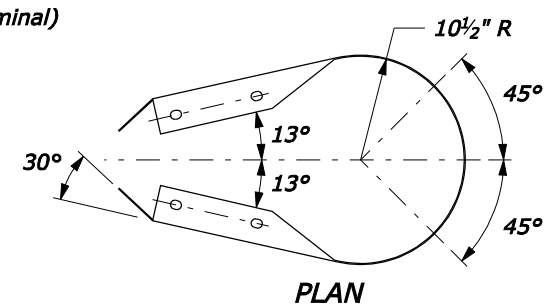
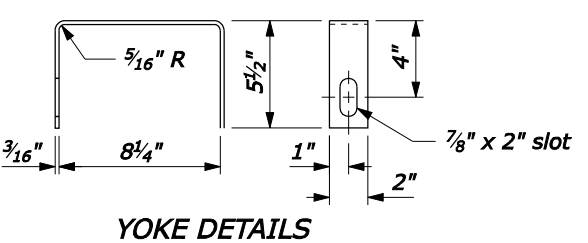
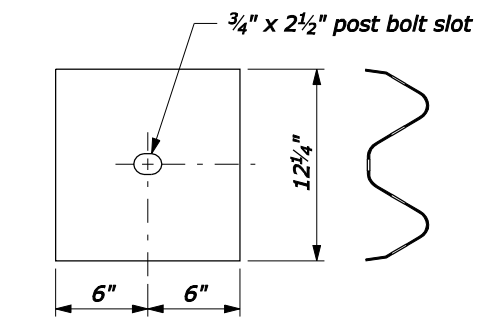
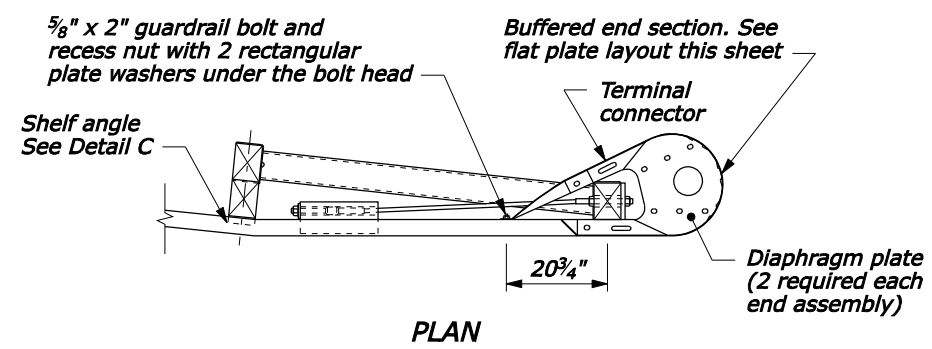


**NOTE:**

1. See Standard 617-15 for other details.
2. Dimensional tolerances not shown or implied are intended to be those consistent with the proper functioning of the part, including its appearance, and accepted manufacturing practices.



**BREAKAWAY LINE POST AND BLOCK**  
**POST #3 - 8**



NO SCALE

U.S. DEPARTMENT OF TRANSPORTATION  
FEDERAL HIGHWAY ADMINISTRATION  
FEDERAL LANDS HIGHWAY

U.S. CUSTOMARY STANDARD  
**G4 W BEAM GUARDRAIL  
MODIFIED ECCENTRIC LOADER  
TERMINAL, TYPE MELT**  
Sheet 2 of 2

STANDARD APPROVED FOR USE 1/1994  
REVISED: 4/1994 6/2005  
DRAFT: 3/2007

STANDARD  
617-12

12-Mar-2007 09:44 AM F:\StdDraw\y661712.dgn [US Customary]