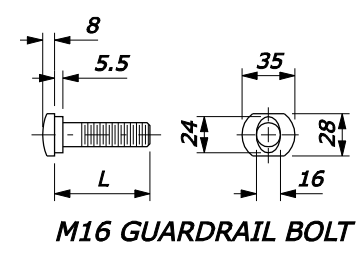


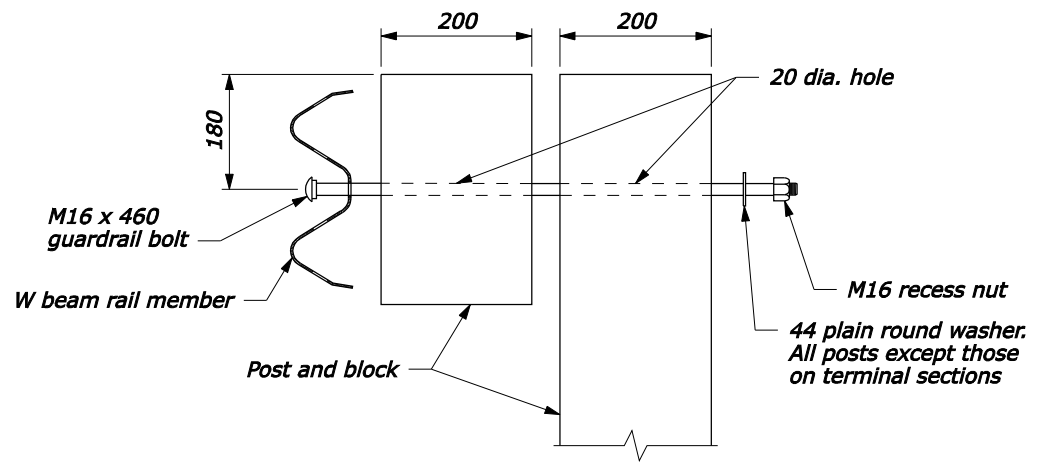
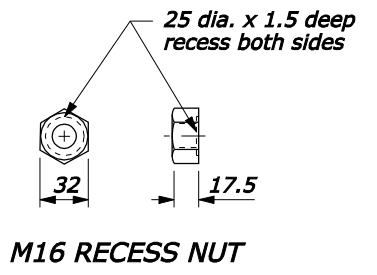
RAIL ELEMENT ELEVATION

W BEAM RAIL MEMBERS



L	Thread Length
35	30 minimum
50	45 minimum
255	100 minimum
460	100 minimum
640	100 minimum

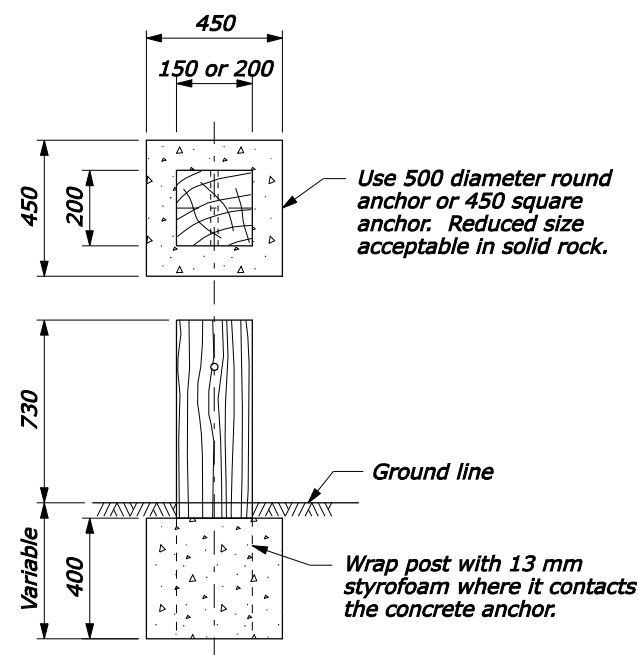
GUARDRAIL BOLT AND RECESS NUT



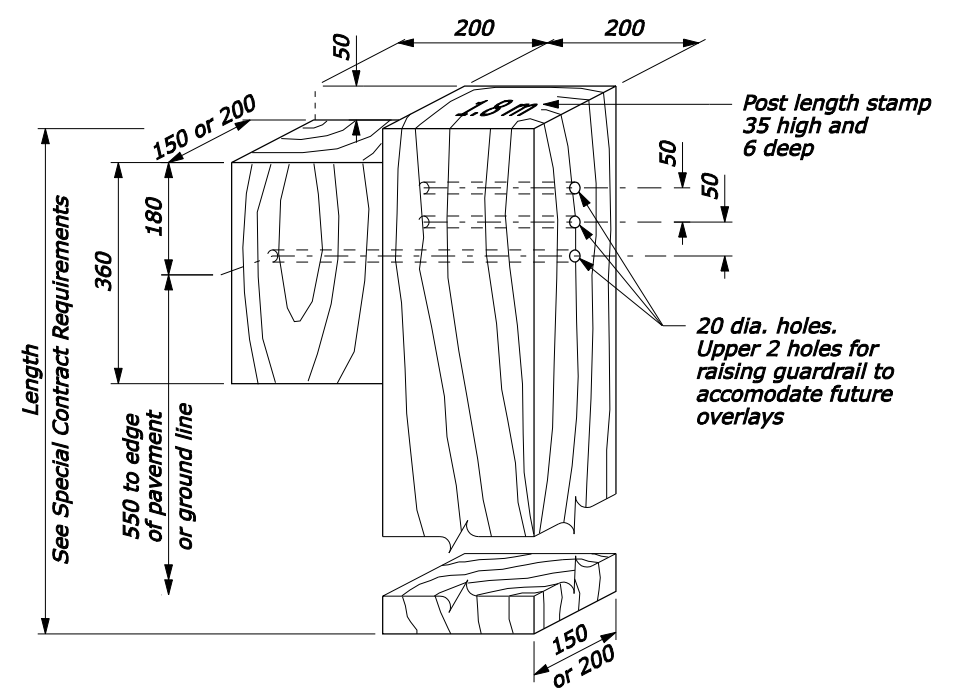
POST BOLT ASSEMBLY

NOTE:

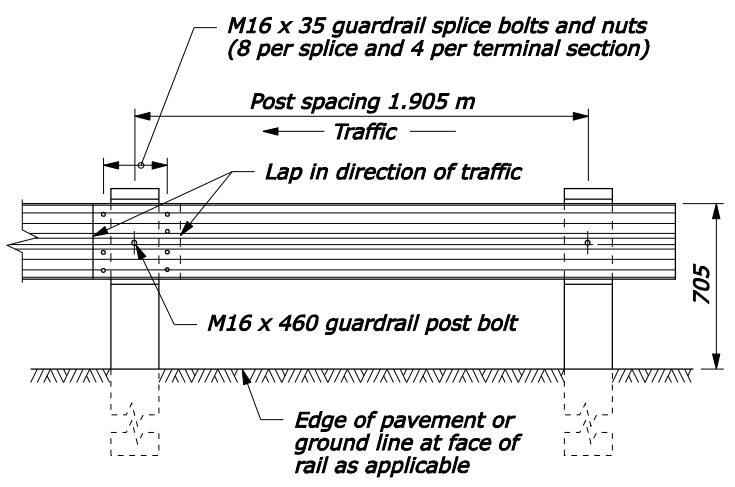
1. Use no more than 3 short guardrail posts in a row.
2. If directed to use alternate hole arrangement, post above ground shall be 780 mm tall.
3. See Special Contract Requirements when 2.1 m or longer posts are specified.
4. Install reflector tab between post bolt and rail, every fourth post. Alternate reflector tab shapes are acceptable.
5. Dimensional tolerances not shown or implied are intended to be those consistent with the proper functioning of the part, including its appearance, and accepted manufacturing practices.
6. Furnish hardware in the metric sizes shown. Equivalent US Customary sizes may be used when metric sizes are unavailable.
7. Dimensions without units are millimeters.



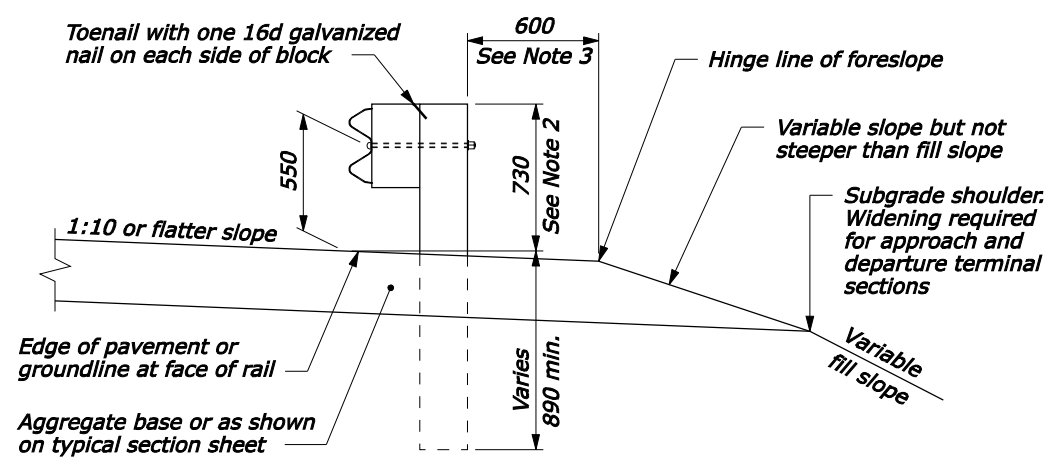
CONCRETE ANCHOR FOR SHORT GUARDRAIL POST
(See Note 1 and 2)



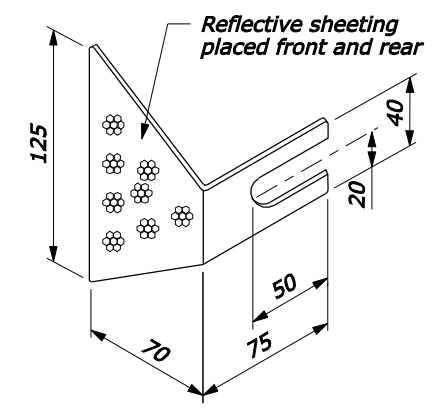
ALTERNATE HOLE ARRANGEMENT POST AND BLOCK DETAIL



POST SPACING STANDARD POST SECTION



TYPICAL GUARDRAIL CROSS SECTION



REFLECTOR TAB
(See Note 4)

NO SCALE

U.S. DEPARTMENT OF TRANSPORTATION
FEDERAL HIGHWAY ADMINISTRATION
FEDERAL LANDS HIGHWAY
METRIC STANDARD

**G4 W-BEAM GUARDRAIL
WOOD POSTS**

STANDARD APPROVED FOR USE 3/1996
REVISED: 8/1997 6/2005

STANDARD
M617-10

F:\StandDraw\std61710.dgn [Metric] 12-Mar-2007 06:45 AM