

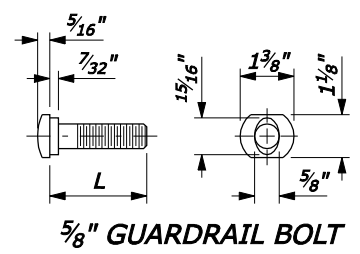
3/4" x 2 1/2" post bolt slot at 6'-3" spacing, center to center

15/16" x 1 1/8" splice bolt slot. 8 required, each end rail element

RAIL ELEMENT ELEVATION

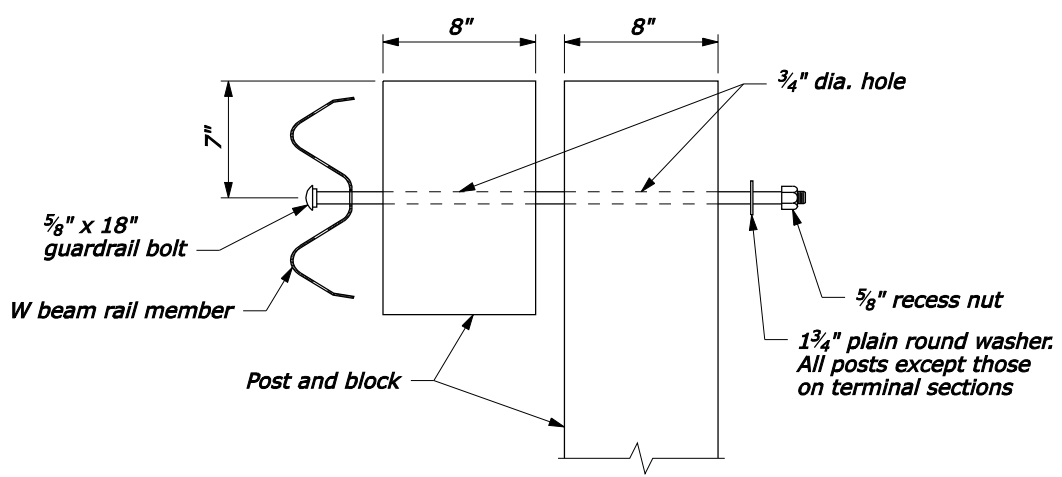
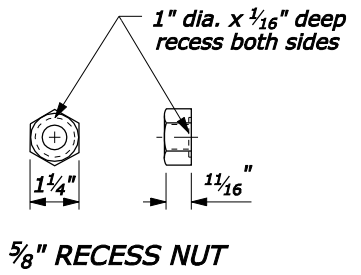
SECTION A-A

**W BEAM RAIL MEMBERS**



L	Thread Length
1 3/8"	1 1/8" minimum
2"	1 3/4" minimum
10"	4" minimum
18"	4" minimum
25"	4" minimum

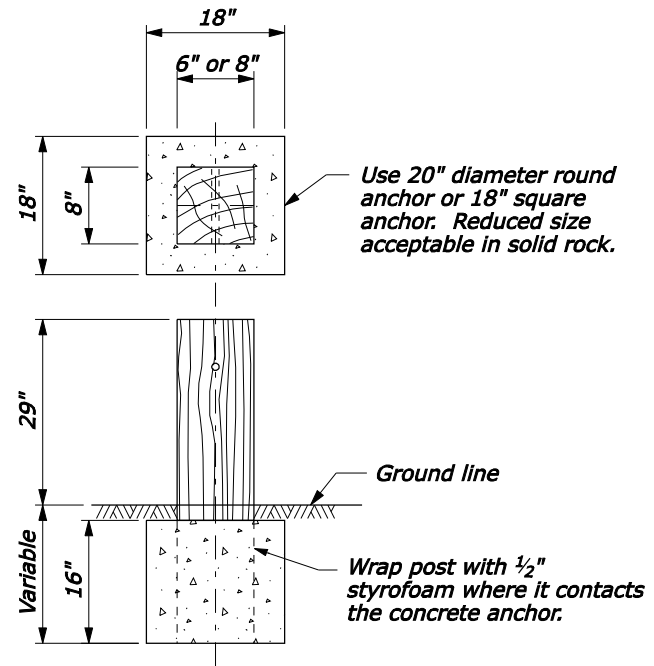
**GUARDRAIL BOLT AND RECESS NUT**



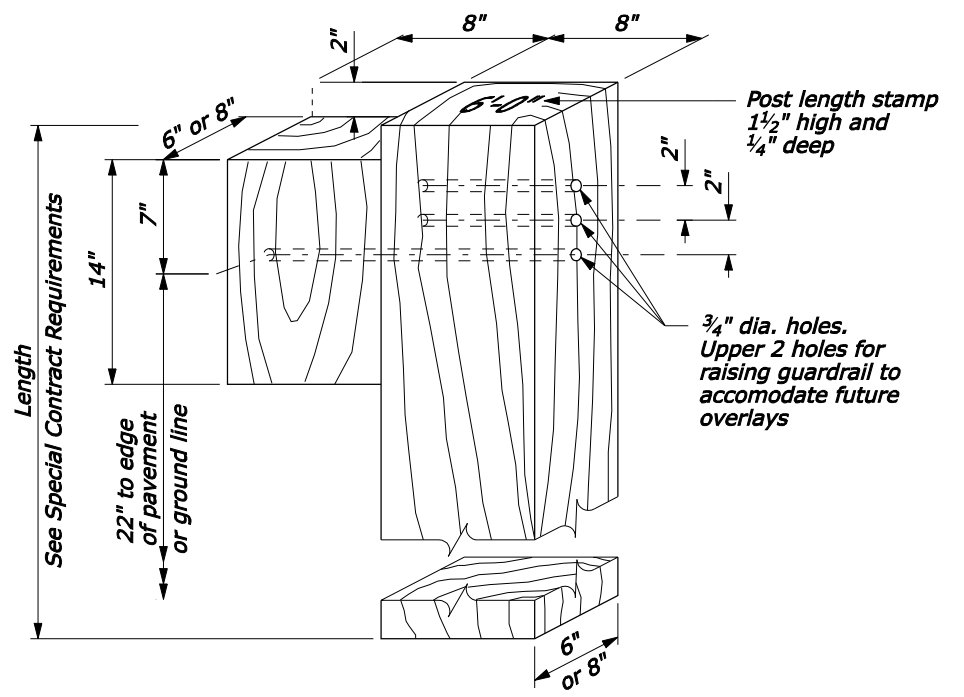
**POST BOLT ASSEMBLY**

**NOTE:**

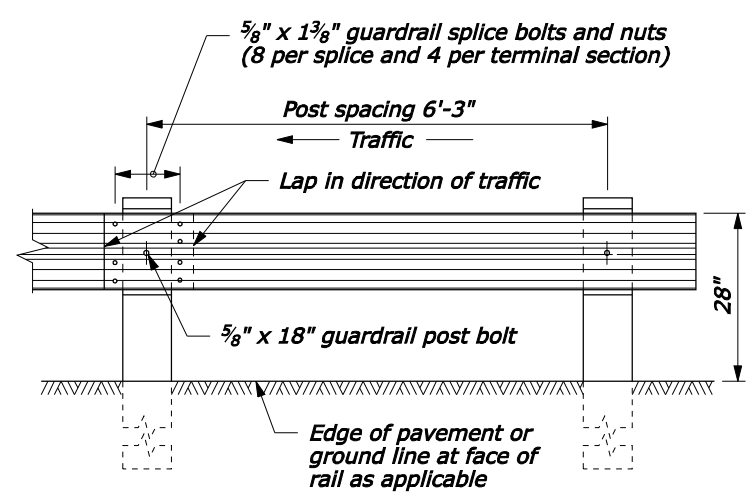
1. Use no more than 3 short guardrail posts in a row.
2. If directed to use alternate hole arrangement, post above ground shall be 31" tall.
3. See Special Contract Requirements when 7'-0" or longer posts are specified.
4. Install reflector tab between post bolt and rail, every fourth post. Alternate reflector tab shapes are acceptable.
5. Dimensional tolerances not shown or implied are intended to be those consistent with the proper functioning of the part, including its appearance, and accepted manufacturing practices.



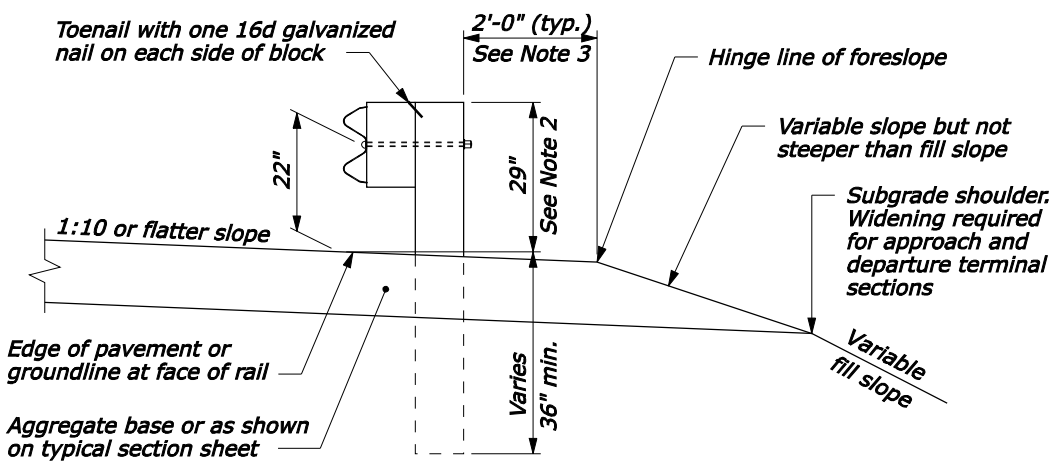
**CONCRETE ANCHOR FOR SHORT GUARDRAIL POST**  
(See Note 1 and 2)



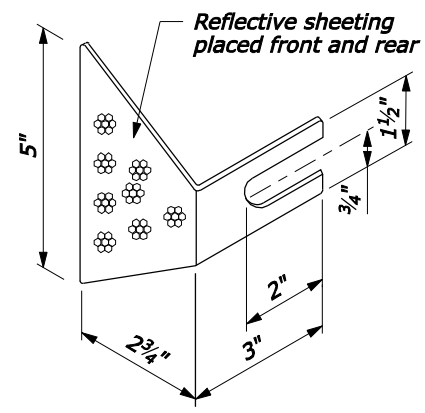
**ALTERNATE HOLE ARRANGEMENT POST AND BLOCK DETAIL**



**POST SPACING STANDARD POST SECTION**



**TYPICAL GUARDRAIL CROSS SECTION**



**REFLECTOR TAB**  
(See Note 4)

NO SCALE

U.S. DEPARTMENT OF TRANSPORTATION  
FEDERAL HIGHWAY ADMINISTRATION  
FEDERAL LANDS HIGHWAY

U.S. CUSTOMARY STANDARD

**G4 W-BEAM GUARDRAIL  
WOOD POSTS**

STANDARD APPROVED FOR USE 1/1994	STANDARD
REVISED: 4/1994 6/2005	617-10

F:\StandDraw\61710.dgn [US Customary] 12-Mar-2007 06:44 AM