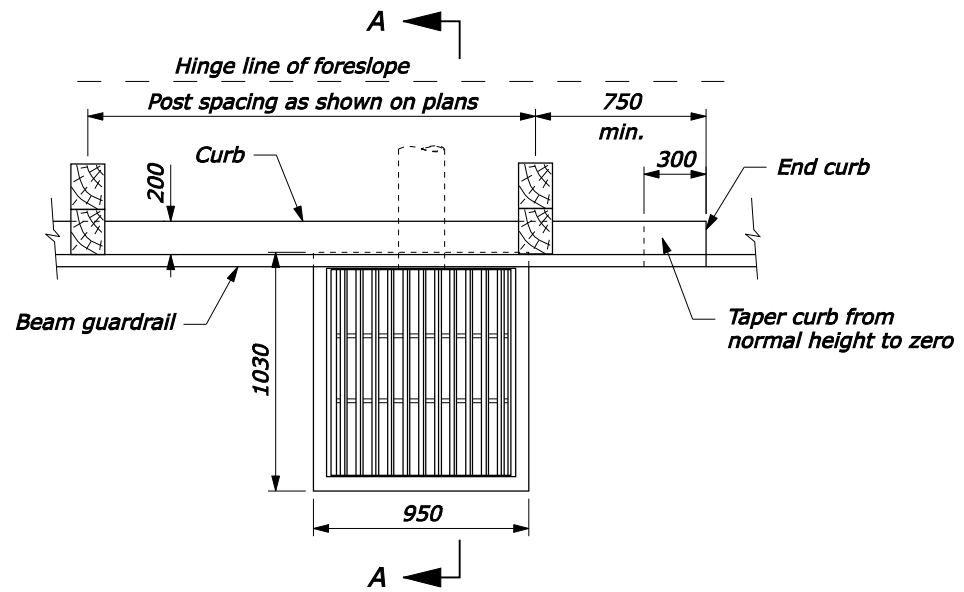


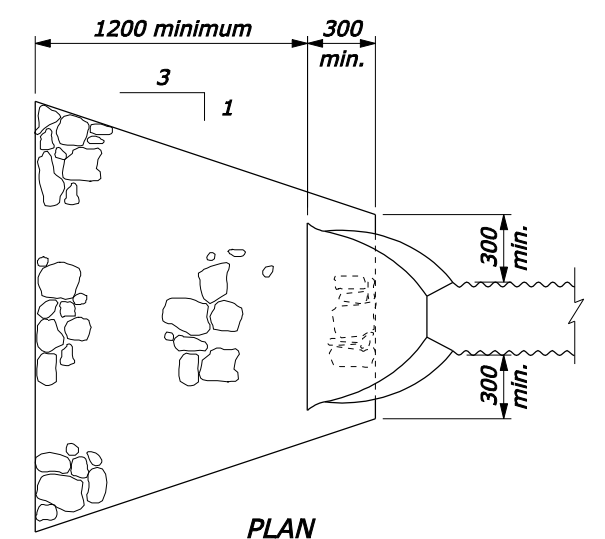
PLAN
CATCH BASIN LAYOUT AT BRIDGE ENDS

- NOTE:**
1. **CONCRETE:** Chamfer exposed edges 20 mm unless otherwise shown. Give all concrete surfaces a Class 1 finish.
 2. The minimum concrete cover to the face of any bar is 50 mm unless otherwise shown.
 3. See Standard M604-2 for Type A Frame and Grate and Standard M604-3 for Type B Frame and Grate.
 4. Make all coupling band connections watertight by placing 5 mm bead of approved caulking under each half of the bands before tightening.
 5. Fabricate tapered portion of slip-joint from either flat or corrugated sheets.
 6. Place Class 2 riprap conforming to Section 251 for protective apron.
 7. Dimensions without units are millimeters.

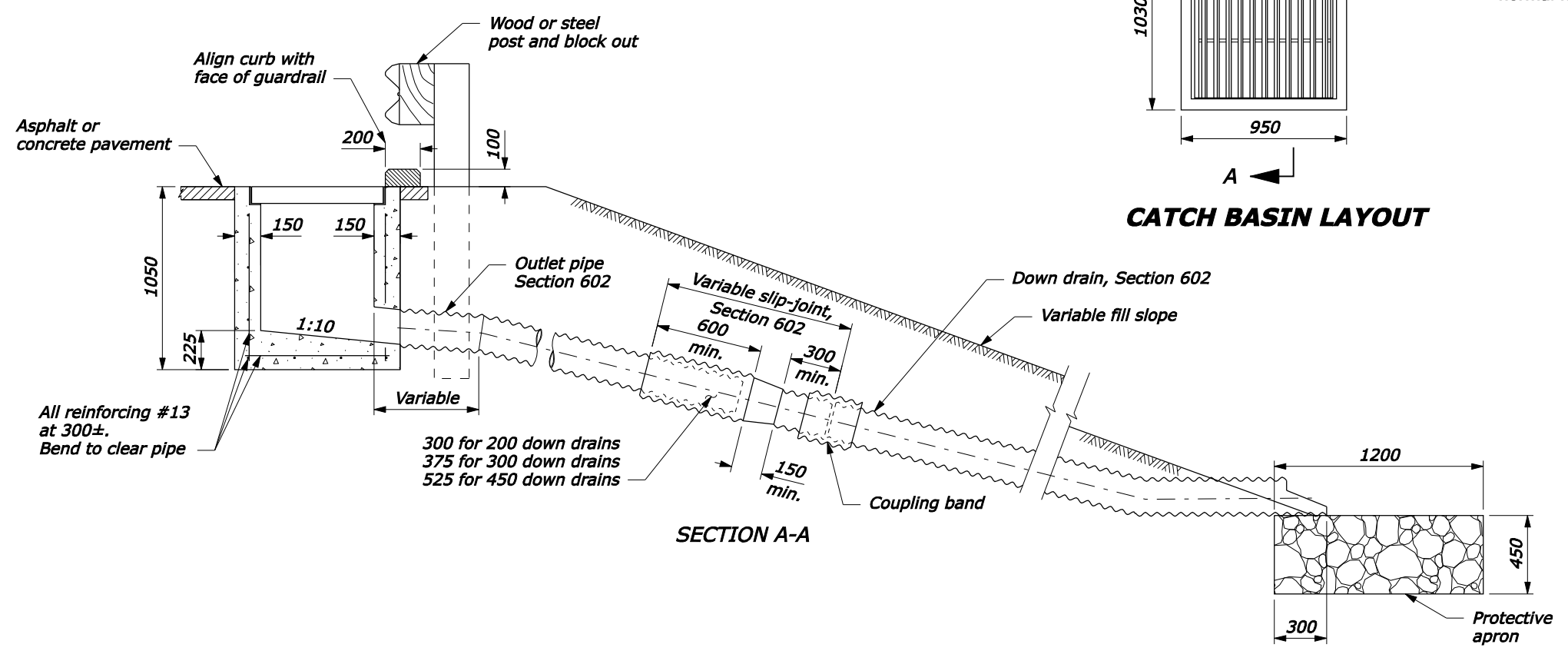
DESCRIPTION	FRAME AND GRATE	
	TYPE A	TYPE B
Reinforcing Steel	32 kg	32 kg
Structural Steel	98 kg	108 kg
Concrete	0.6 m ³	0.6 m ³



CATCH BASIN LAYOUT



PLAN
PROTECTIVE APRON



SECTION A-A

NO SCALE

U.S. DEPARTMENT OF TRANSPORTATION FEDERAL HIGHWAY ADMINISTRATION FEDERAL LANDS HIGHWAY	
METRIC STANDARD CATCH BASIN TYPE 2 WITH DOWN DRAIN	
STANDARD APPROVED FOR USE 3/1996 REVISED: 5/1997 6/2005	STANDARD M604-4

01-Nov-2007 03:14 PM
 ftp://196.145.188.2/scd_plan/ss60404.dgn [Metric]