

POLYETHYLENE (PE) PLASTIC ROUND PIPE CULVERT

FILL HEIGHT TABLE AND MINIMUM CELL CLASSIFICATION NUMBER PER ASTM D 3350

| SMOOTH WALL (SOLID WALL) | | | | | | | | CORRUGATED | | | | RIBBED | | | | | | | |
|--------------------------|---------------|------------------------------------|------|------|------|------|------|-----------------------|---------------|-------------------------|-------------------------|-----------------------|---------------|-------------------------|-------------------------|------------------------------|--|--|--|
| PIPE SIZE DIAMETER | MINIMUM COVER | CELL CLASSIFICATION NUMBER 335434C | | | | | | PIPE SIZE DIAMETER | MINIMUM COVER | CELL CLASS. NO. 315412C | CELL CLASS. NO. 324420C | PIPE SIZE DIAMETER | MINIMUM COVER | CELL CLASS. NO. 334433C | CELL CLASS. NO. 335434C | | | | |
| | | MINIMUM WALL THICKNESS | | | | | | | | | | | | | | MAXIMUM FILL HEIGHT (METERS) | | | |
| | | 15.4 | 21.7 | 23.4 | 29.3 | 35.1 | 32.8 | | | | | | | | | 37.5 | | | |
| 300 | 300 | 17.5 | | | | | | 300 | 300 | 3.5 | 3.0 | 450 | 300 | 5.5 | 7.5 | | | | |
| 450 | 300 | | 16 | | | | | 375 | 300 | 3.5 | 3.0 | 600 | 300 | 6.5 | 8.5 | | | | |
| 600 | 300 | | | 11.5 | | | | 450 | 300 | 3.5 | 3.0 | 750 | 300 | 6.5 | 8.5 | | | | |
| 750 | 300 | | | | 11.5 | | | 600 | 300 | 3.5 | 3.0 | 900 | 300 | 7.5 | 9.5 | | | | |
| 900 | 300 | | | | | 11.5 | | 750 | 300 | 3.5 | 3.0 | 1050 | 300 | 6.5 | 8.0 | | | | |
| 1050 | 300 | | | | | | 8.0 | 900 | 300 | 3.5 | 3.0 | 1200 | 300 | 6.5 | 8.0 | | | | |
| 1200 | 300 | | | | | | 8.0 | | | | | | | | | | | | |

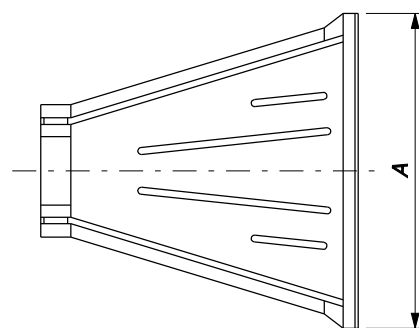
NOTE:

- When directed, camber pipe culverts upward from a chord through the inlet and outlet inverts an ordinate amount equal to 1% of the pipe length. Develop camber on a parabolic curve. If the midpoint elevation on the parabolic curve as designed exceeds the elevation of the inlet invert, reduce the amount of camber or increase the pipe culvert gradient.
- Measure minimum cover from the top of the pipe culvert to the subgrade for flexible pavements, and to the top of the pavement for rigid pavements. Measure maximum fill height from the top of the pipe to the top of the pavement for both flexible and rigid pavement.
- Dimensions without units are millimeters.

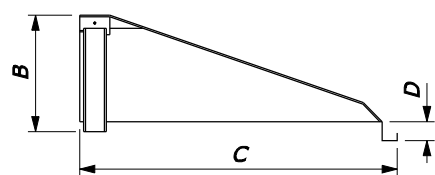
POLYVINYL CHLORIDE (PVC) PLASTIC ROUND PIPE CULVERT

FILL HEIGHT TABLE AND MINIMUM CELL CLASSIFICATION NUMBER PER ASTM D 1784

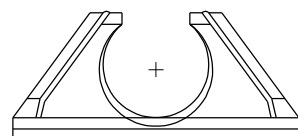
| SMOOTH WALL (SOLID WALL) | | | | | | RIBBED | | | | | | | |
|--------------------------|---------------|------------------------|------|-----|------|-----------------------|---------------|------------------------|-----------------------|------------------------------|--|--|--|
| PIPE SIZE DIAMETER | MINIMUM COVER | CELL CLASS. NO. 12454 | | | | PIPE SIZE DIAMETER | MINIMUM COVER | CELL CLASS. NO. 12454C | CELL CLASS. NO. 12364 | | | | |
| | | MINIMUM WALL THICKNESS | | | | | | | | MAXIMUM FILL HEIGHT (METERS) | | | |
| | | 9.1 | 11.1 | 9.1 | 11.1 | | | | | | | | |
| 300 | 300 | 20 | | | | 300 | 300 | 11.0 | 8.0 | | | | |
| 375 | 300 | | 19 | | | 375 | 300 | 9.5 | 6.5 | | | | |
| | | | | 21 | | 450 | 300 | 10.0 | 7.0 | | | | |
| | | | | | 20 | 600 | 300 | 9.0 | 6.5 | | | | |
| | | | | | | 750 | 300 | 8.5 | 6.0 | | | | |
| | | | | | | 900 | 300 | 8.5 | 6.0 | | | | |
| | | | | | | 1050 | 300 | 8.0 | 5.5 | | | | |
| | | | | | | 1200 | 300 | 7.5 | 5.5 | | | | |



TOP



SIDE



FRONT

PLASTIC PIPE END SECTION

| END SECTION DIMENSIONS | | | | |
|------------------------|------------|------|------|-----|
| PIPE SIZE DIAMETER | DIMENSIONS | | | |
| | A | B | C | D |
| 300 | 1065 | 370 | 840 | 150 |
| 375 | 1170 | 620 | 1155 | 150 |
| 450 | 1370 | 735 | 1395 | 150 |
| 600 | 1625 | 940 | 1650 | 150 |
| 750 | 2235 | 915 | 1615 | 150 |
| 900 | 2235 | 1090 | 1690 | 150 |

NO SCALE

| | |
|--|--------------------|
| U.S. DEPARTMENT OF TRANSPORTATION FEDERAL HIGHWAY ADMINISTRATION FEDERAL LANDS HIGHWAY | |
| METRIC STANDARD | |
| PLASTIC PIPE CULVERT | |
| STANDARD APPROVED FOR USE 3/1996 REVISED: 6/2005 | STANDARD M602-5 |