

POLYETHYLENE (PE) PLASTIC ROUND PIPE CULVERT

FILL HEIGHT TABLE AND MINIMUM CELL CLASSIFICATION NUMBER PER ASTM D 3350

SMOOTH WALL (SOLID WALL)								CORRUGATED				RIBBED						
PIPE SIZE DIAMETER INCHES	MINIMUM COVER INCHES	CELL CLASSIFICATION NUMBER 335434C						PIPE SIZE DIAMETER INCHES	MINIMUM COVER INCHES	CELL CLASS. NO. 315412C	CELL CLASS. NO. 324420C	PIPE SIZE DIAMETER INCHES	MINIMUM COVER INCHES	CELL CLASS. NO. 334433C	CELL CLASS. NO. 335434C			
		MINIMUM WALL THICKNESS (INCHES)														MAXIMUM FILL HEIGHT (FEET)	MAXIMUM FILL HEIGHT (FEET)	MAXIMUM FILL HEIGHT (FEET)
		0.607	0.857	0.923	1.154	1.385	1.292											
12	12	57						12	12	11	10	18	12	18	24			
18	12		52					15	12	11	10	24	12	22	28			
24	12			38				18	12	12	10	30	12	22	28			
30	12				38			24	12	12	10	36	12	25	31			
36	12					38		30	12	12	10	42	12	21	27			
42	12						27	36	12	11	10	48	12	21	26			
48	12						27											

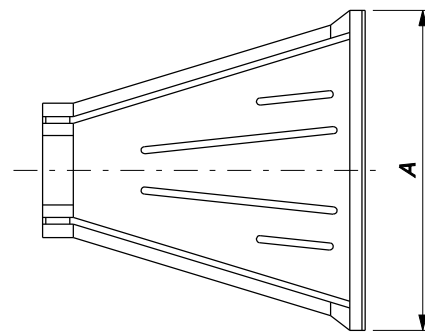
NOTE:

- When directed, camber pipe culverts upward from a chord through the inlet and outlet inverts an ordinate amount equal to 1% of the pipe length. Develop camber on a parabolic curve. If the midpoint elevation on the parabolic curve as designed exceeds the elevation of the inlet invert, reduce the amount of camber or increase the pipe culvert gradient.
- Measure minimum cover from the top of the pipe culvert to the subgrade for flexible pavements, and to the top of the pavement for rigid pavements. Measure maximum fill height from the top of the pipe to the top of the pavement for both flexible and rigid pavement.

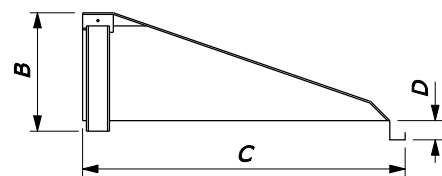
POLYVINYL CHLORIDE (PVC) PLASTIC ROUND PIPE CULVERT

FILL HEIGHT TABLE AND MINIMUM CELL CLASSIFICATION NUMBER PER ASTM D 1784

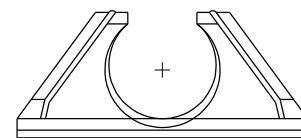
SMOOTH WALL (SOLID WALL)						RIBBED						
PIPE SIZE DIAMETER INCHES	MINIMUM COVER INCHES	CELL CLASS. NO. 12454				PIPE SIZE DIAMETER INCHES	MINIMUM COVER INCHES	CELL CLASS. NO. 12454C	CELL CLASS. NO. 12364	CELL CLASS. NO. 12364C		
		MINIMUM WALL THICKNESS (INCHES)									MAXIMUM FILL HEIGHT (FEET)	MAXIMUM FILL HEIGHT (FEET)
		0.358	0.438	0.358	0.438							
12	12	65			69	12	12	37	26			
15	12		62		66	15	12	32	22			
						18	12	33	23			
						24	12	29	21			
						30	12	28	20			
						36	12	27	19			
						42	12	26	18			
						48	12	24	17			



TOP



SIDE



FRONT

PLASTIC PIPE END SECTION

PIPE SIZE DIAMETER INCHES	END SECTION DIMENSIONS DIMENSIONS INCHES			
	A	B	C	D
12	42	14.5	33	6
15	46	24.5	45.5	6
18	54	29	55	6
24	64	37	65	6
30	88	36	63.5	6
36	88	43	66.5	6

NO SCALE

U.S. DEPARTMENT OF TRANSPORTATION FEDERAL HIGHWAY ADMINISTRATION FEDERAL LANDS HIGHWAY	
U.S. CUSTOMARY STANDARD	
PLASTIC PIPE CULVERT	
STANDARD APPROVED FOR USE 12/1993 REVISED: 4/1994 6/2005	STANDARD 602-5