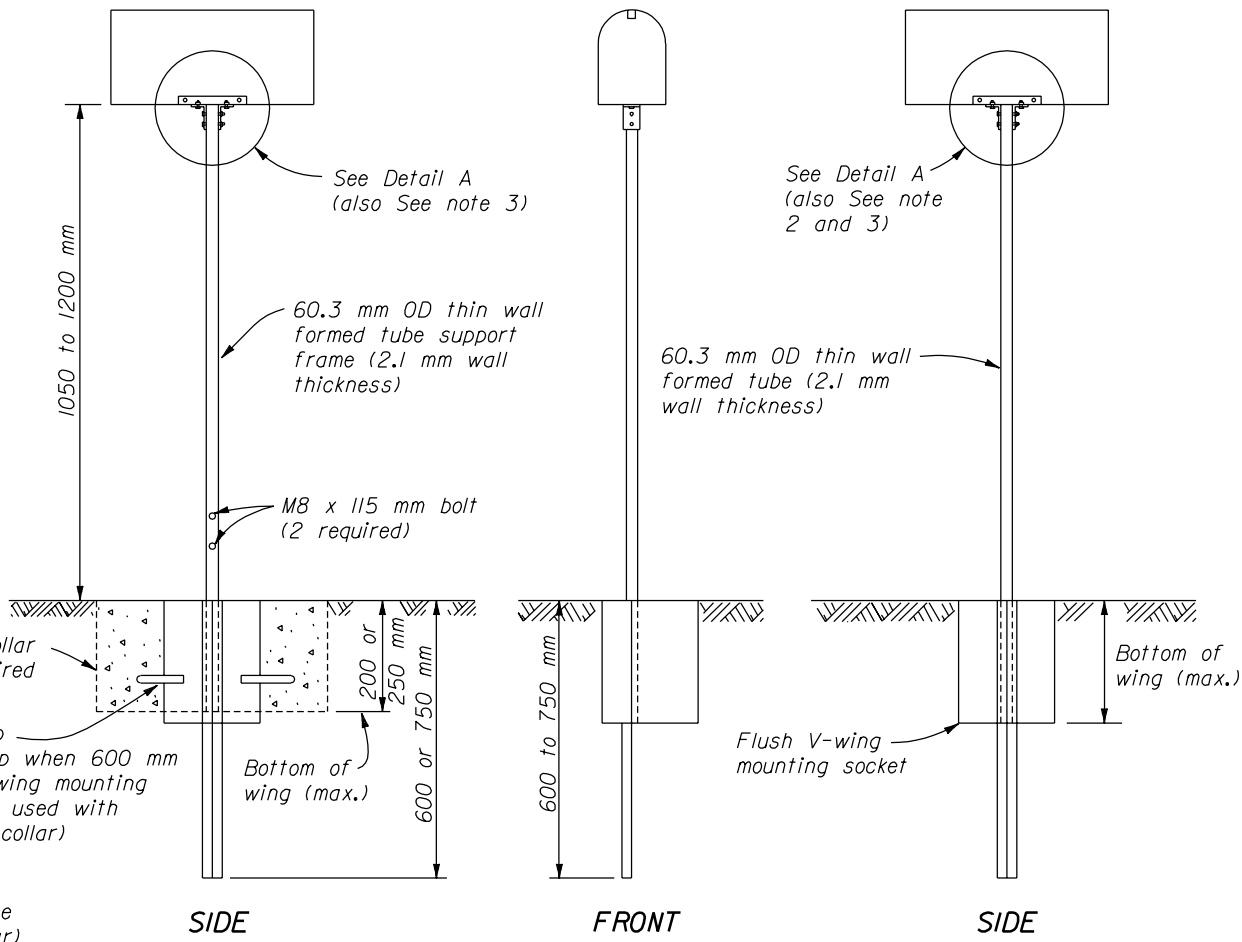


FRONT

MULTIPLE SUPPORT



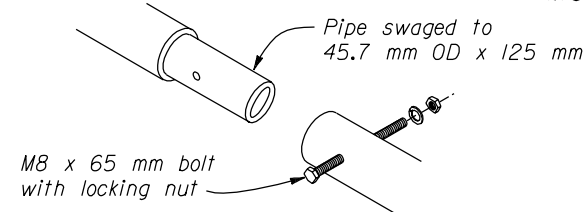
SIDE

FRONT

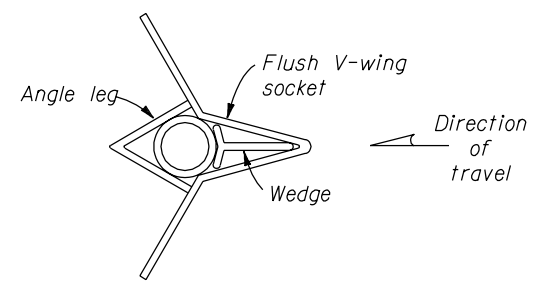
SIDE

SINGLE SUPPORT

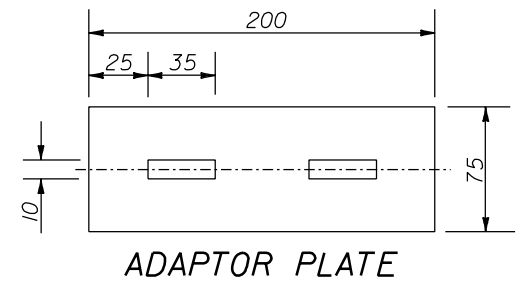
- NOTE:**
- Dimensions not labeled are in millimeters.
 - Install angle connections parallel to traffic flow for size 2 mailbox mounted on single posts.
 - Size 2 mailbox mounted on a multiple support requires 2 each, M10 x 15 mm bolts with lock washers and nuts to attach the adapter plate to the mounting bracket. The unit will then require 4 angle connections to attach to the formed tube support frame. See Detail A.
 - Pour concrete collar, if required, in place after flush V-wing socket has been installed, level and plumb. Do not excavate below bottom of wing.
 - Space multiple support frames a minimum of 1200 mm apart. Space single support frames a minimum of 900 mm apart. Do not place more than five no. 1 mailboxes, three no. 2 mailboxes, or four on any combination of no's. 1, 1-A and 2 mailboxes on a multiple support frame.
 - Approved alternate mailbox assemblies may be used.
 - Furnish hardware in the metric sizes shown. Equivalent imperial sizes may be used when sizes are not available.



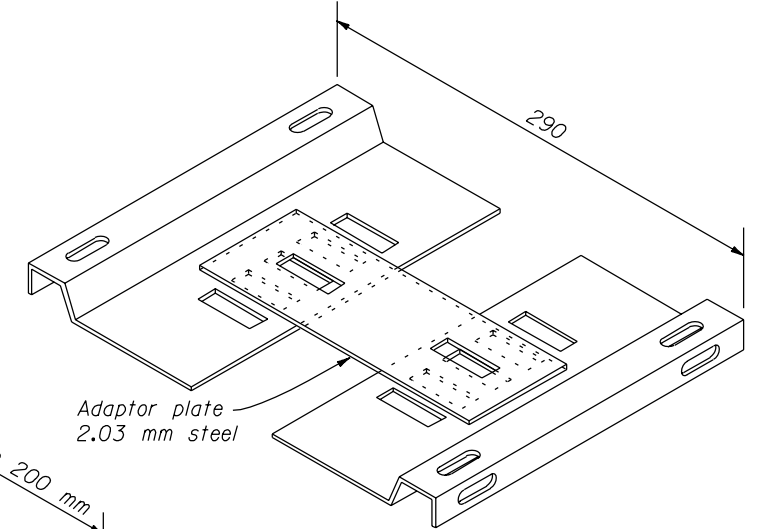
DETAIL B



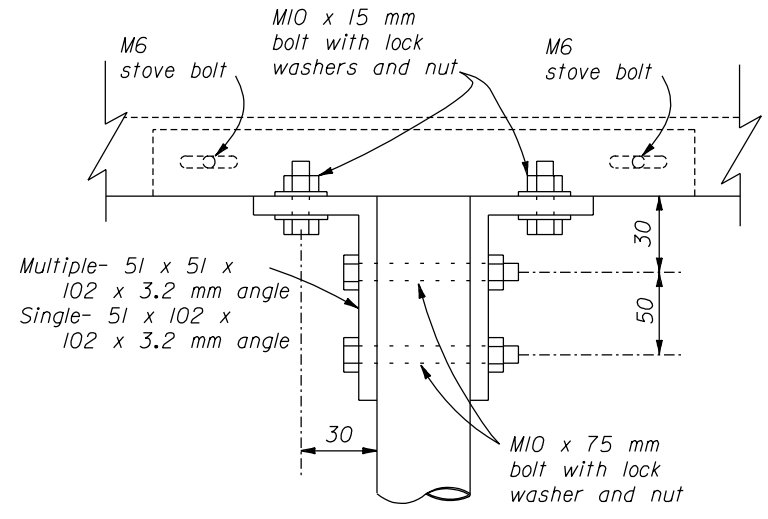
POST MOUNTING SOCKET



ADAPTOR PLATE

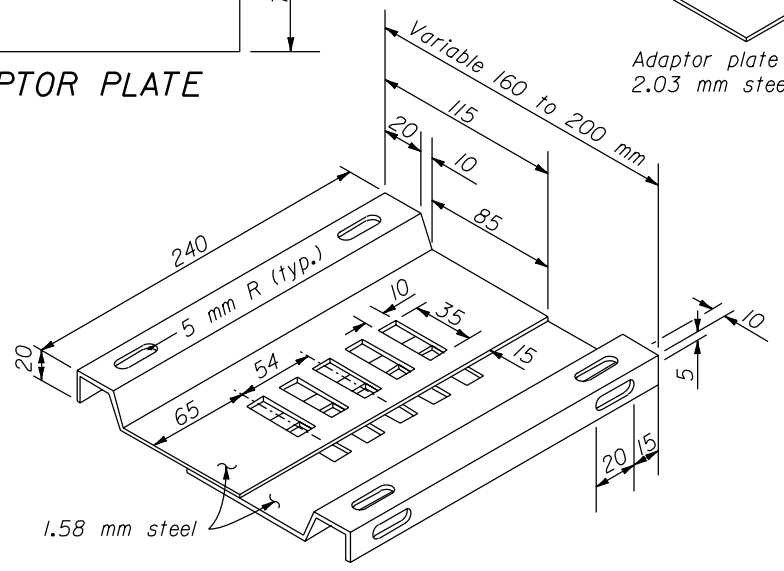


SIZE 2 WITH ADAPTOR PLATE MOUNTING BRACKET



DETAIL A

FLUSH V-WING SOCKET USE CHART		
MAILBOX LOCATION	SINGLE SUPPORT	MULTIPLE SUPPORT
Through new or existing pavement	600	600
Through well consolidated material	600 (750 mm with size 2)	750
Through new rock surfacing and subgrade	750	600 mm with conc. collar
Through new rock surfacing and subgrade, subject to saturated soils or freeze/thaw conditions	750 (600 mm with conc. collar)	750 mm with conc. collar



SIZES 1 AND 1/2 MOUNTING BRACKET

NO SCALE

U.S. DEPARTMENT OF TRANSPORTATION
 FEDERAL HIGHWAY ADMINISTRATION
 WESTERN FEDERAL LANDS HIGHWAY DIVISION

METRIC DETAIL

MAILBOX ASSEMBLY

DETAIL APPROVED FOR USE 3/1996

REVISOR: _____

DETAIL WM670-51

13 DEC 2000 f:\standrow\metric\details\wm67051.dgn