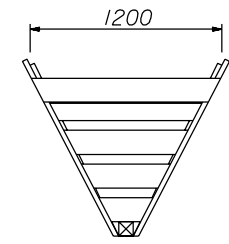


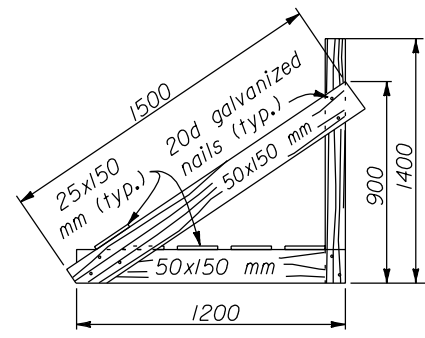
MEMBER	WOOD		STEEL		
	ROUND	SQUARE	SHAPE	kg/m (min.)	SIZE
	dia. of small end min.-max.	min. avg. nominal			
Line post	75-100	75	75x75	1.98	U.S. Comm. Standard
Brace	40-140	100	100x100	3.38	approx. 40 mm OD
			Angle	3.63	51x51x6.4 mm
Other posts	100-175	125	125x125	5.43	60.3 mm OD
			Angle	6.10	64x64x6.4 mm

- NOTE:**
- Dimensions not labeled are in millimeters.
 - Furnish either zinc coated (galvanized) or aluminum coated steel barbed wire. Fabricate zinc coated barbed wire from two strands of 2.51 mm steel wire with a Class 3 zinc coating and 2 point or 4 point barbs of 2.03 mm zinc coated wire. Fabricate aluminum coated barbed wire from two strands of 2.51 mm aluminum coated steel wire with 4 point barbs of 2.03 mm aluminum coated or aluminum alloy wire.
 - Furnish either zinc coated (galvanized) or aluminum coated steel wire fence fabric. If zinc coated fabric is furnished, use Grade 60 fabric with a Class 1 coating.
 - Furnish 3.05 mm tie wire or wire clamps for fasteners in metal posts. Galvanize wire stays, tie wire, wire loops, and wire clamps with a Class 1 zinc coating according to ASTM A 641.
 - Furnish either painted or galvanized steel fence posts for tee, channel or U bar shapes. Furnish galvanized steel round pipe or steel angle for posts and braces. Fit round pipe posts with snug-fitting galvanized metal caps. Fabricate steel line posts and angles from Type A steel conforming to AASHTO M 281. Fabricate steel pipe posts and braces according to AASHTO M 160.
 - Furnish Douglas fir, Western hemlock or Western pine for fence posts, brace rails, rock jacks, and wood stays. Treat the posts and brace rails with creosote, pentachlorophenol, ACZA, or CCA, Type I, A, B, or C.
 - Use 50x50x1300 mm minimum length wood stays in areas of heavy snowfall or drifting (over 900 mm). Rest stays firmly on the ground and space as shown for wire stays. Staple all barbed wires, and a minimum of 4 horizontal wires for woven wire fabric, where applicable.
 - Rock jacks are acceptable to support the fence across solid rock areas on lieu of posts embedded in concrete.

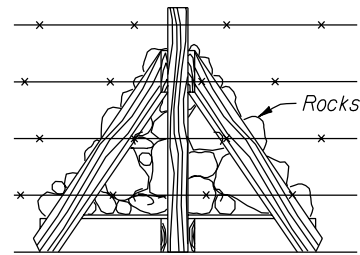
ROCK JACK LUMBER REQUIRED		
Post	1 each	100x150 x 1400 mm
Ground pieces	3 each	50x150 x 1200 mm
Platform	4 each	50x200 x 1200 mm
Diagonal brace	2 each	50x150 x 1500 mm



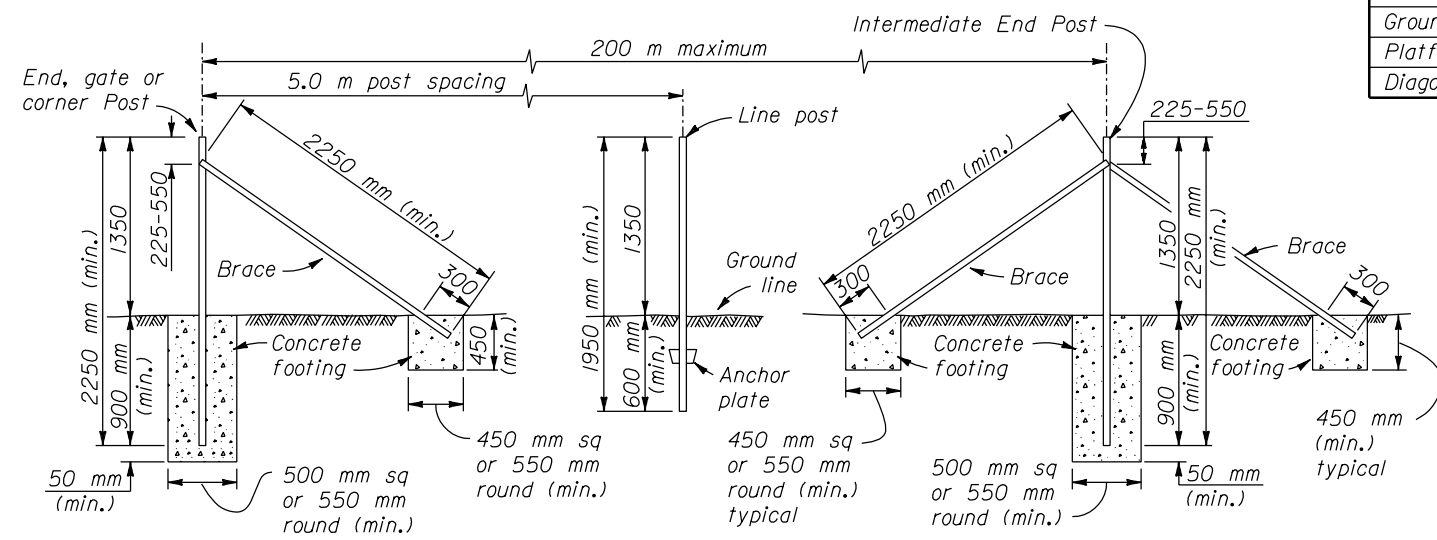
PLAN VIEW



SIDE VIEW



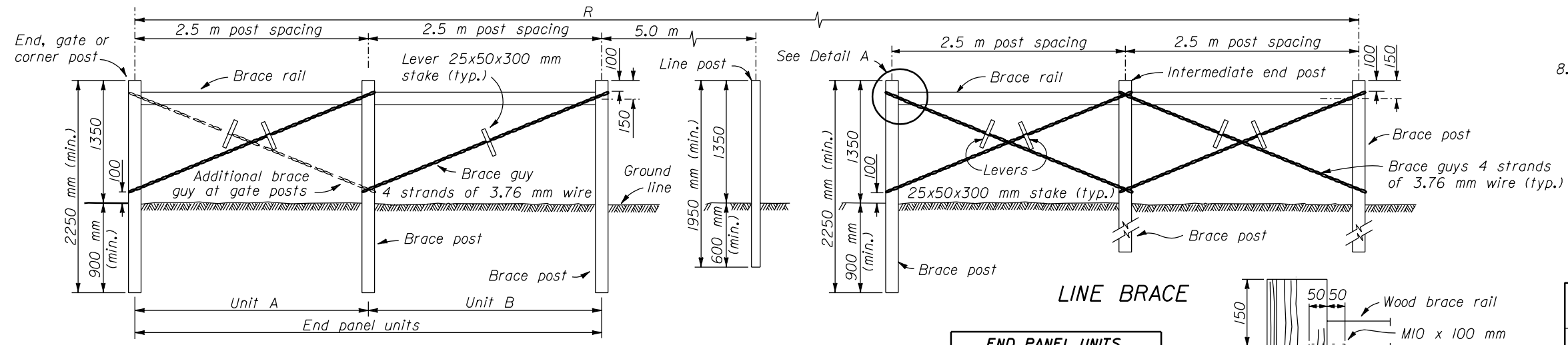
FRONT VIEW



END, GATE OR CORNER BRACE

LINE BRACE

ROCK JACK



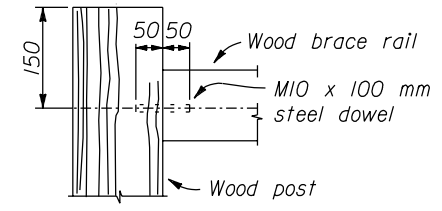
STEEL POSTS

WOOD POSTS

LINE BRACE

END, GATE OR CORNER BRACE

END PANEL UNITS		
ALL FENCE TYPES	R	PANELS
	6 or less	None
	6 - 100	A
	Over 100	A & B



DETAIL A

NO SCALE

U.S. DEPARTMENT OF TRANSPORTATION
FEDERAL HIGHWAY ADMINISTRATION
WESTERN FEDERAL LANDS HIGHWAY DIVISION

METRIC DETAIL

**OREGON
RIGHT-OF-WAY FENCES**

DETAIL APPROVED FOR USE 3/1996

REVISOR: _____

DETAIL
WM619-70