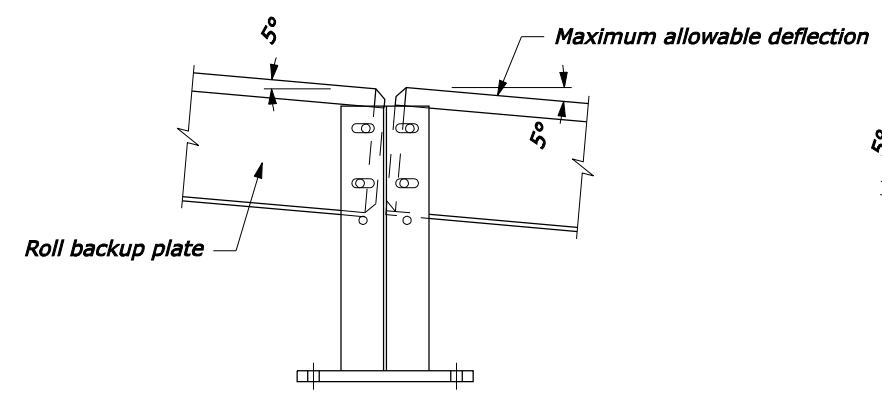


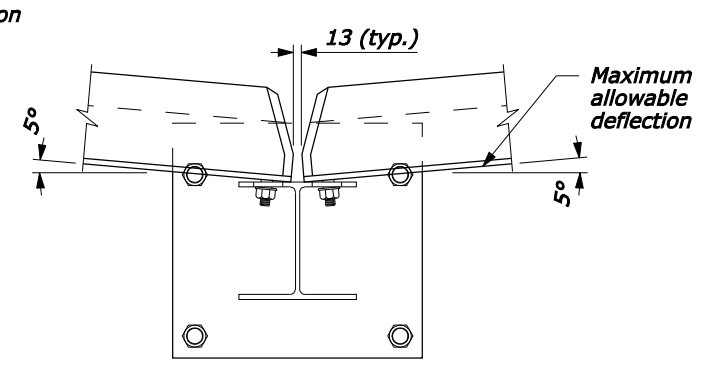
PLAN VIEW

NOTE:

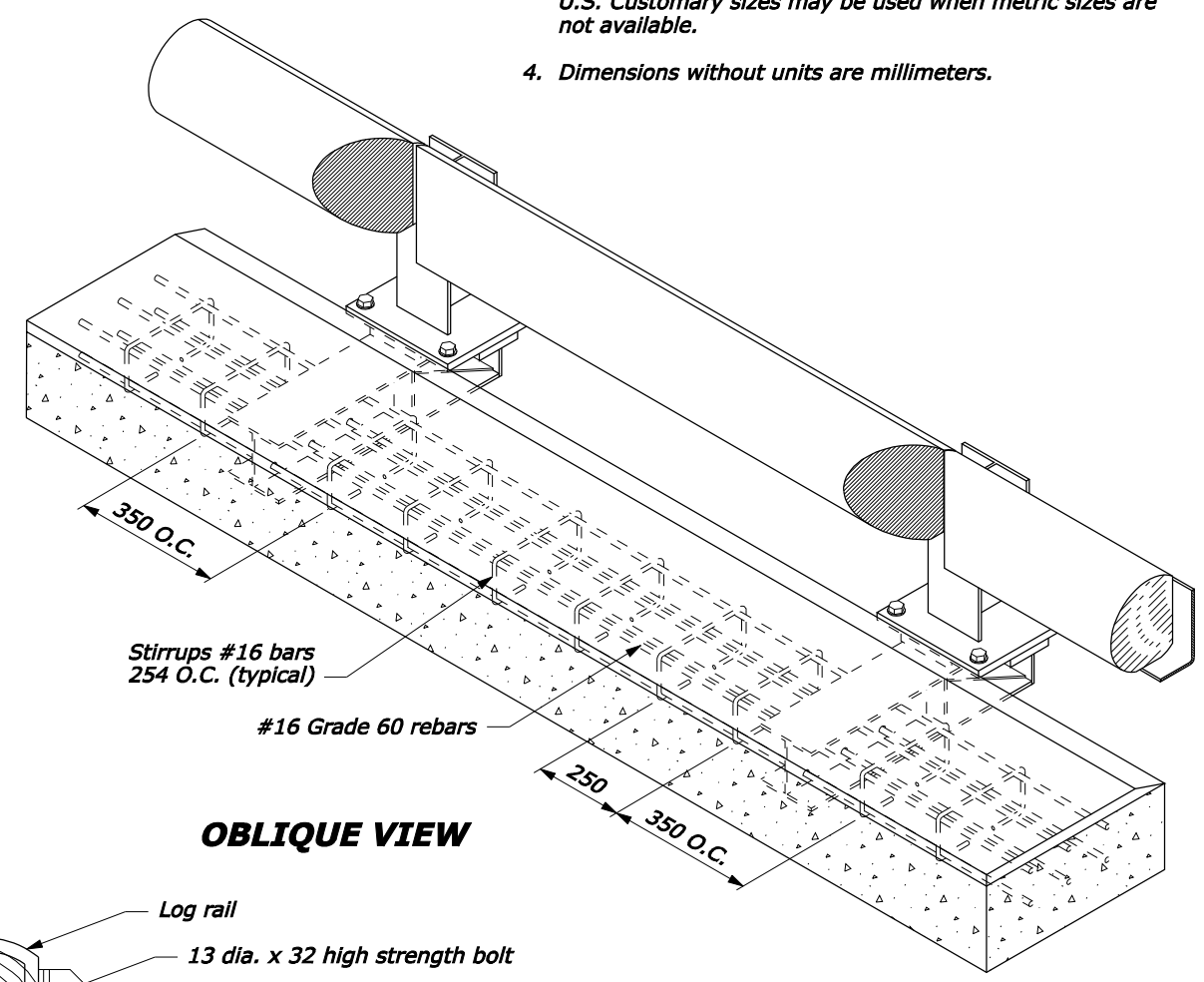
1. Steel is ASTM A242, Grade 50.
2. Concrete: minimum $f'c = 24$ MPa.
3. Furnish hardware in the metric sizes shown. Equivalent U.S. Customary sizes may be used when metric sizes are not available.
4. Dimensions without units are millimeters.



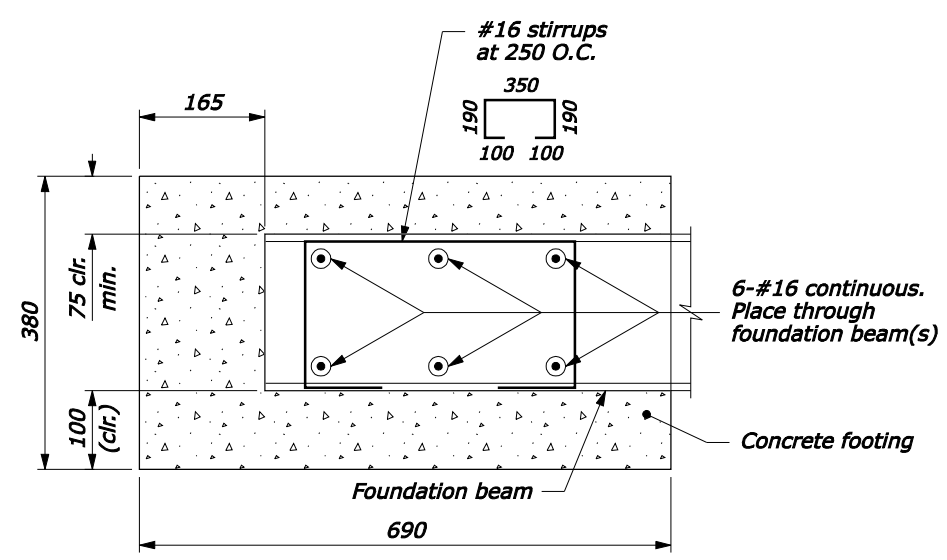
**ENDS OF RAILS AT POST:
MAXIMUM VERTICAL
DEFLECTION ALLOWABLE
ELEVATION**



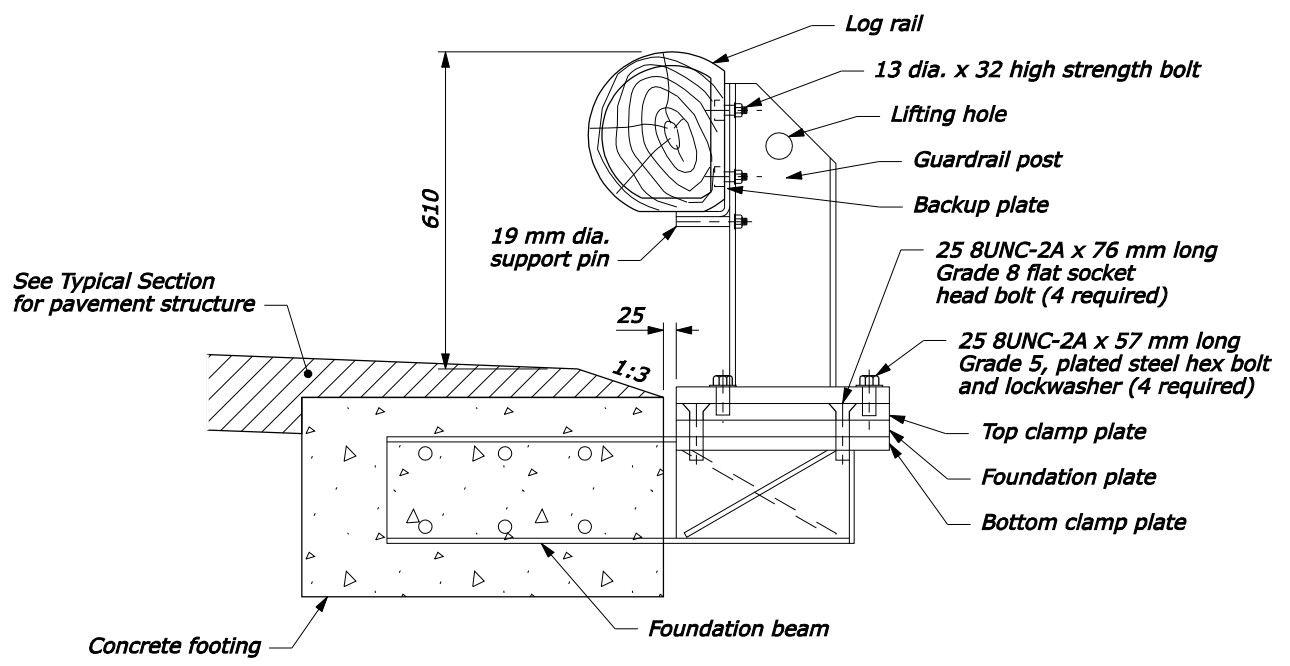
**MAXIMUM HORIZONTAL
DEFLECTION ALLOWABLE
PLAN VIEW**



OBLIQUE VIEW



**FOOTING DETAIL
TYPICAL SECTION**



TYPICAL SECTION

U.S. DEPARTMENT OF TRANSPORTATION
FEDERAL HIGHWAY ADMINISTRATION
WESTERN FEDERAL LANDS HIGHWAY DIVISION

METRIC DETAIL
REMOVABLE
STEEL-BACKED LOG RAIL
Sheet 1 of 3

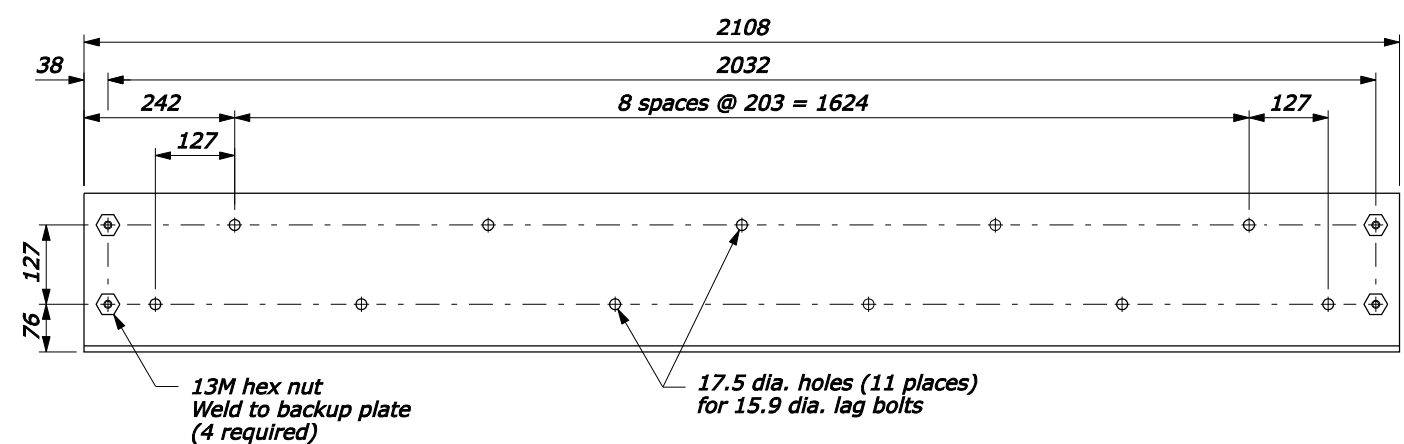
DETAIL APPROVED FOR USE --/----

REVISED:
DRAFT: 3/2008

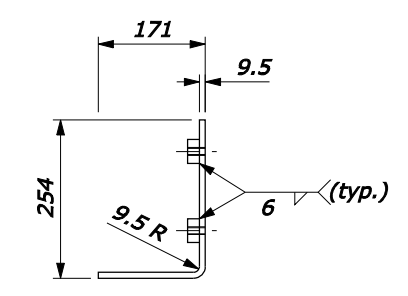
DETAIL
WM617-83

NO SCALE

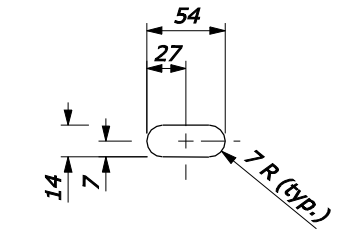
18-Mar-2008 01:54 PM
ftp://196.145.188.2/scd_plan/wf/w61783.dgn [Metric]



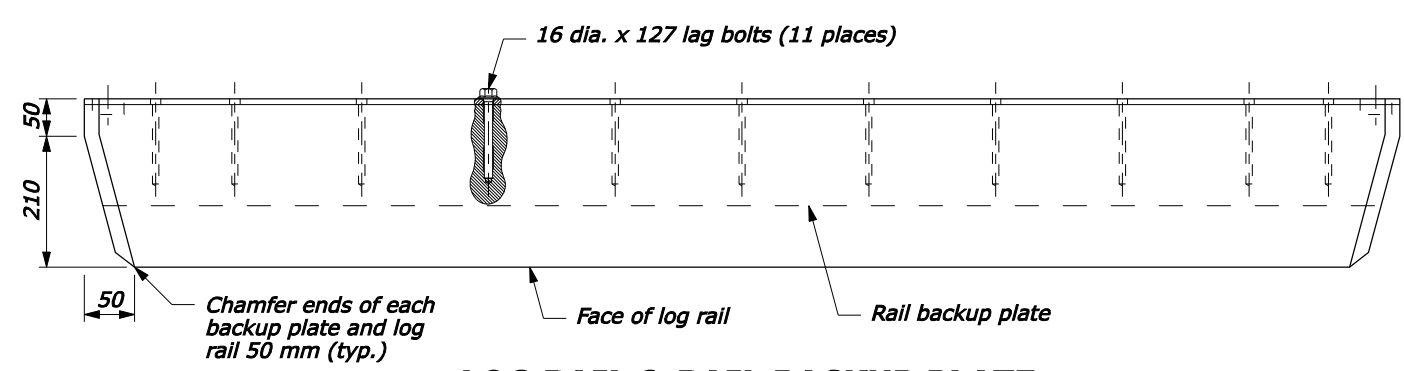
**RAIL BACKUP PLATE
ELEVATION VIEW**



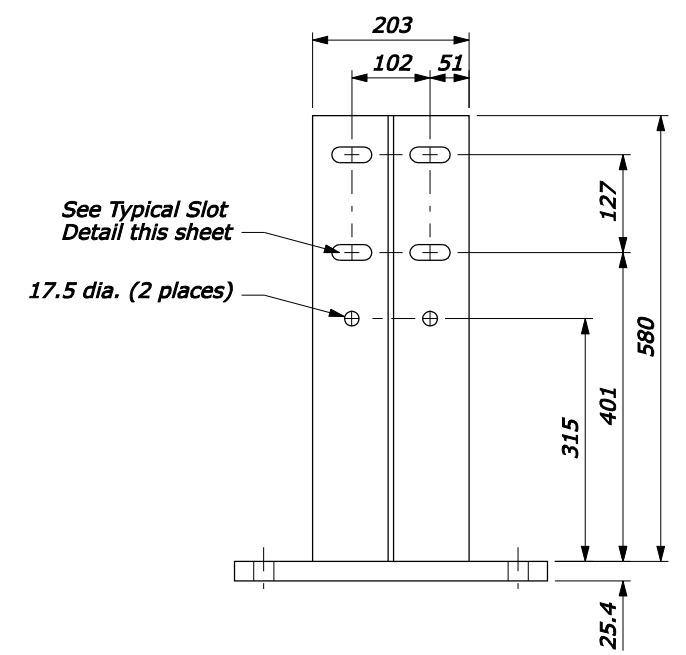
**RAIL BACKUP PLATE
SECTION VIEW**



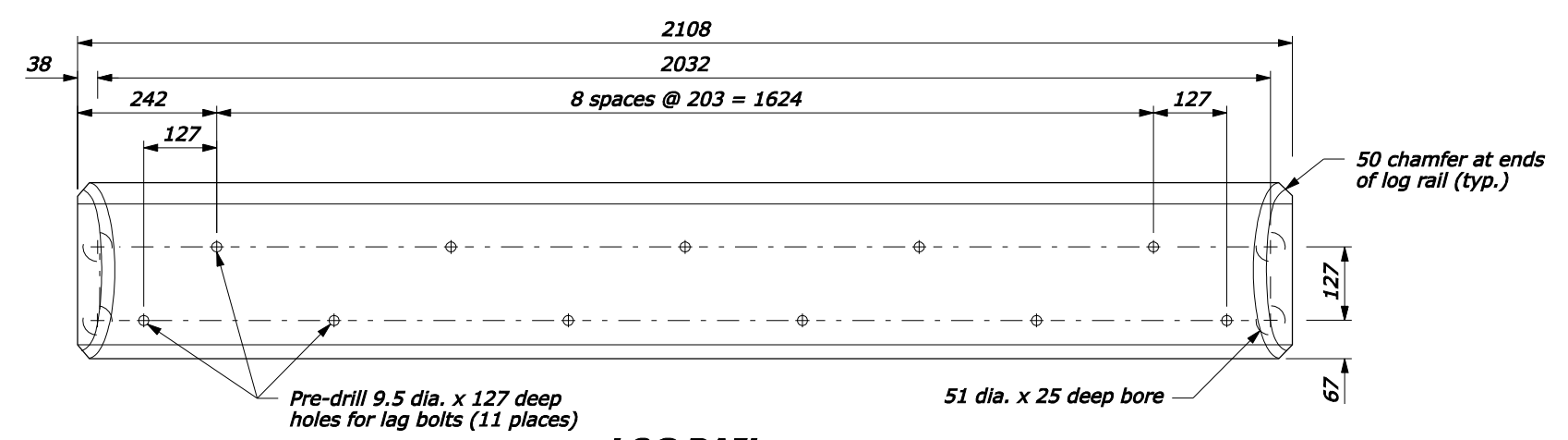
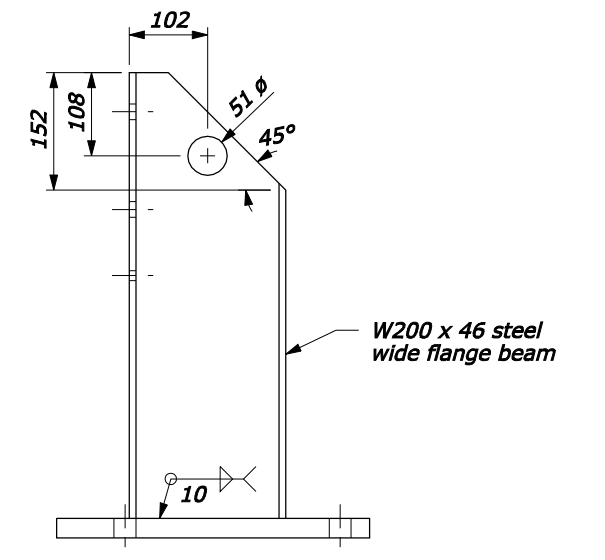
**TYPICAL SLOT DETAIL
VIEW**



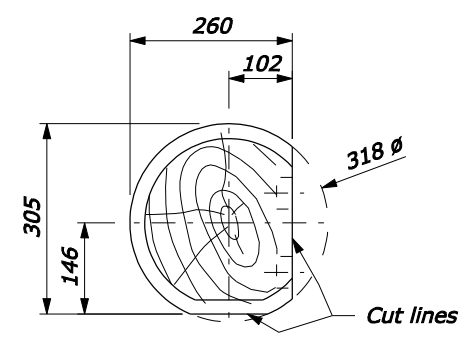
**LOG RAIL & RAIL BACKUP PLATE
PLAN VIEW**



GUARDRAIL POST



**LOG RAIL
ELEVATION VIEW**

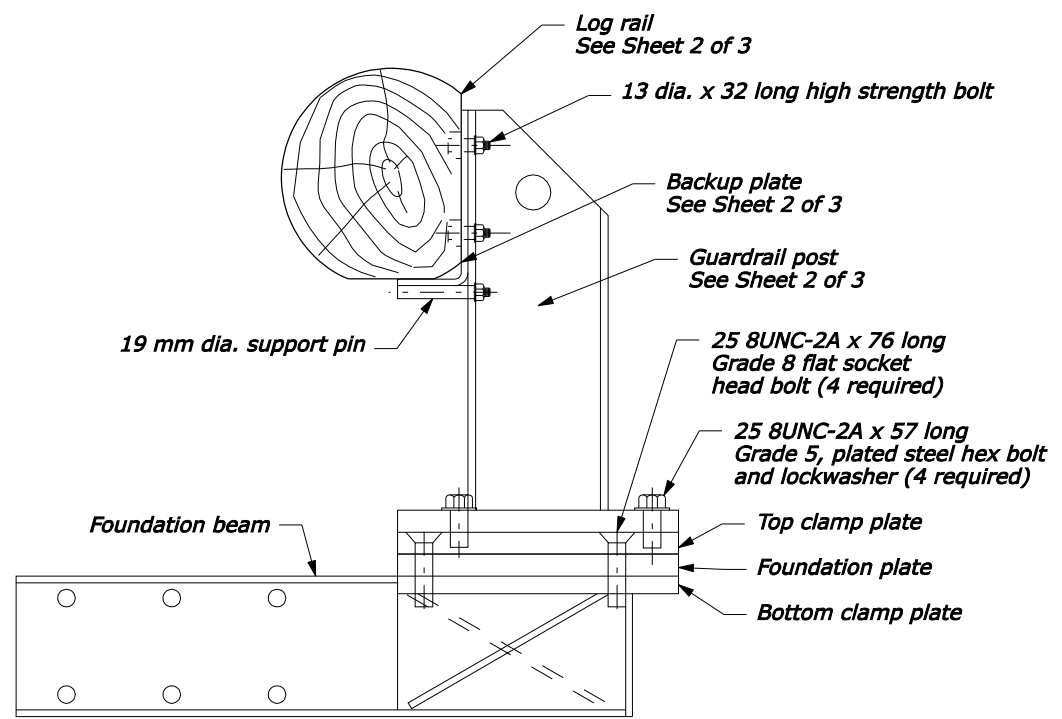


**LOG RAIL
SECTION VIEW**

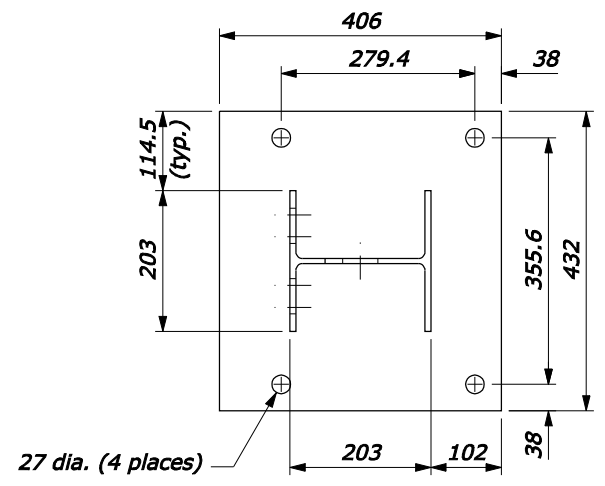
NO SCALE

U.S. DEPARTMENT OF TRANSPORTATION FEDERAL HIGHWAY ADMINISTRATION WESTERN FEDERAL LANDS HIGHWAY DIVISION	
METRIC DETAIL	
REMOVABLE STEEL-BACKED LOG RAIL	
Sheet 2 of 3	
DETAIL APPROVED FOR USE --/----	DETAIL
REVISED: DRAFT: 3/2008	WM617-83

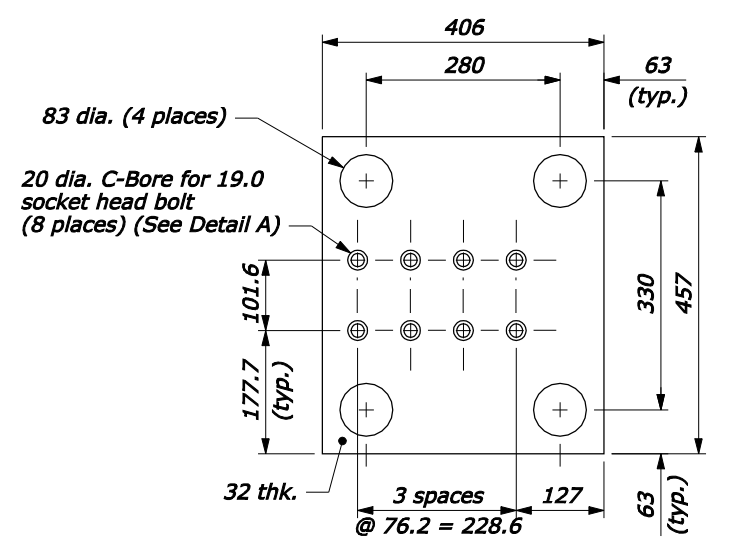
18-Mar-2008 12:41 PM
 fpp://196.145.188.2/scl_plan/wf/w61783.dgn [Metric]



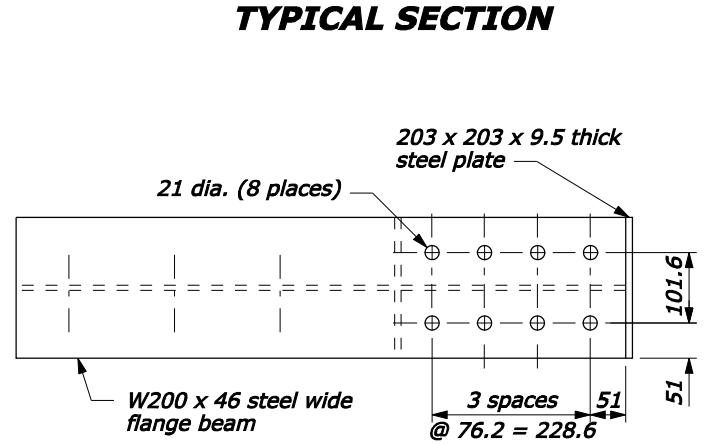
TYPICAL SECTION



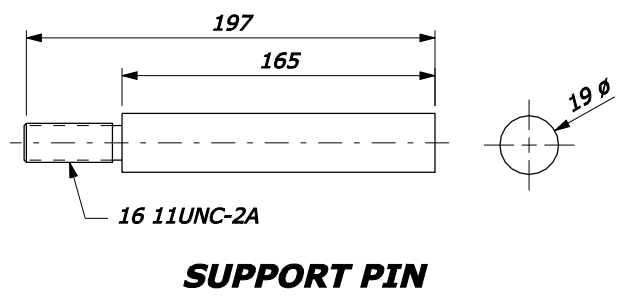
RAIL POST BASE PLATE



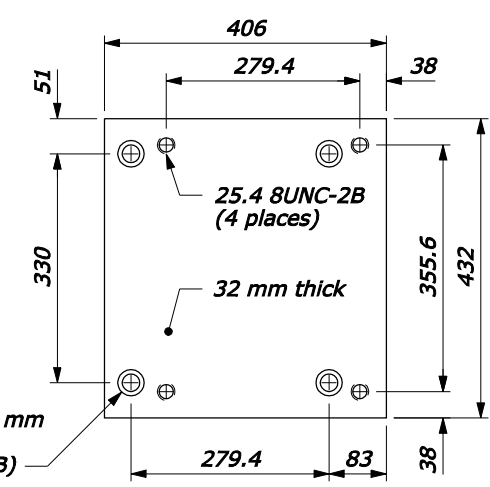
FOUNDATION PLATE



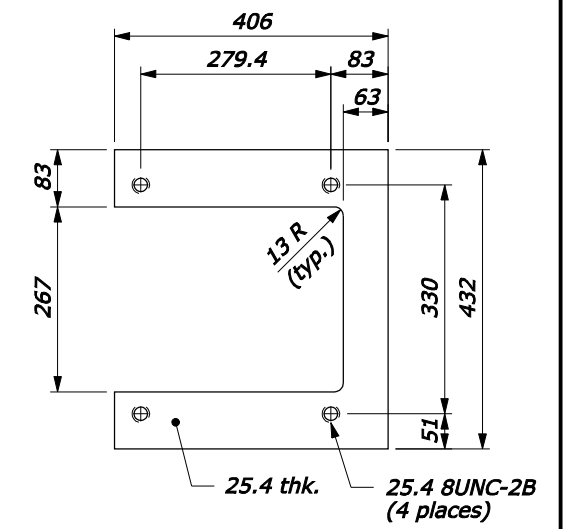
FOUNDATION BEAM



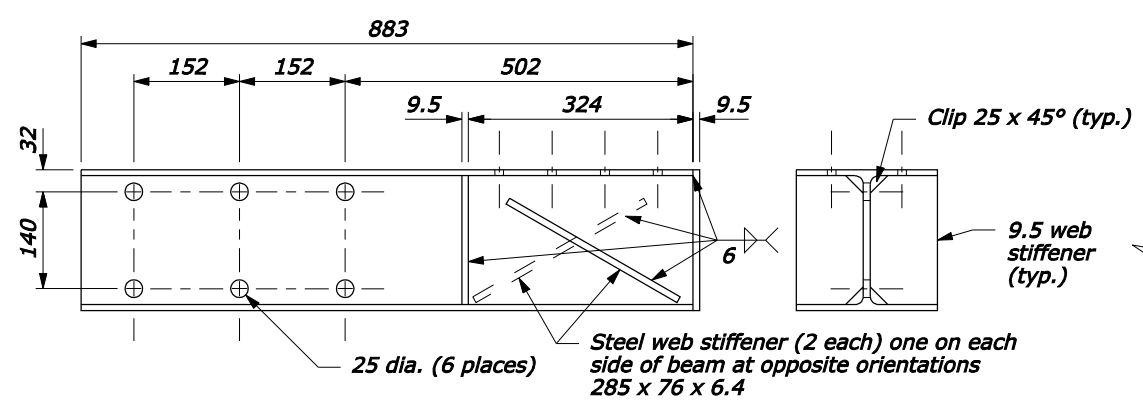
SUPPORT PIN



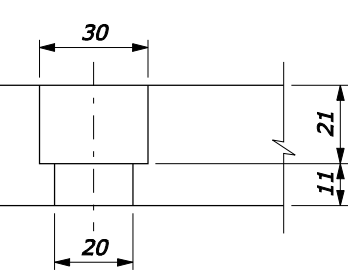
TOP CLAMP PLATE



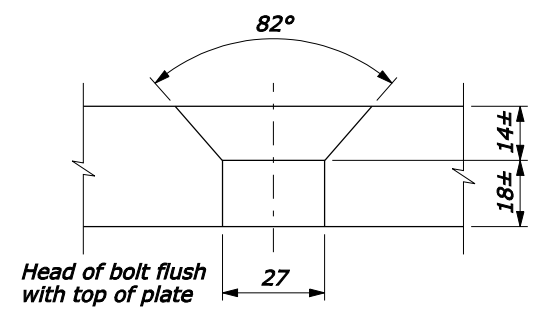
BOTTOM CLAMP PLATE



FOUNDATION BEAM



DETAIL A



DETAIL B

NO SCALE

U.S. DEPARTMENT OF TRANSPORTATION
 FEDERAL HIGHWAY ADMINISTRATION
 WESTERN FEDERAL LANDS HIGHWAY DIVISION

METRIC DETAIL
REMOVABLE
STEEL-BACKED LOG RAIL
 Sheet 3 of 3

DETAIL APPROVED FOR USE -/----

REVIS: 3/2008

DETAIL WM617-83

18-Mar-2008 12:42 PM
 fpp://196.145.188.2/scd_plan/wf/w61783.dgn [Metric]