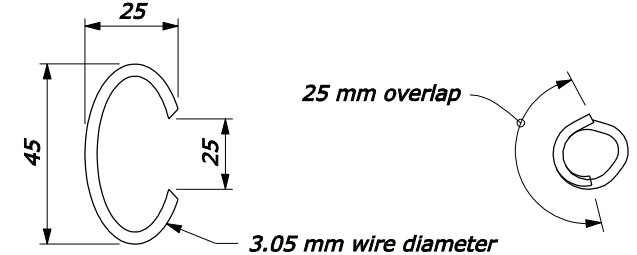


NOTE:  
All dimensions are nominal

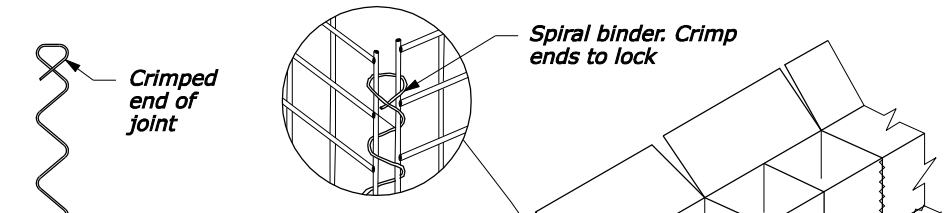
**INTERLOCKING WIRE FASTENER**



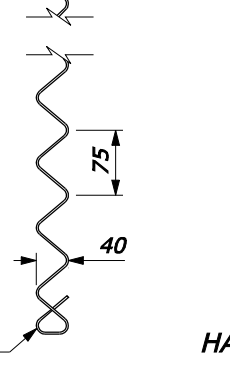
NOTE:  
All dimensions are nominal

**OVERLAPPING RING WIRE FASTENER**

**ALTERNATE TYING FASTENERS**

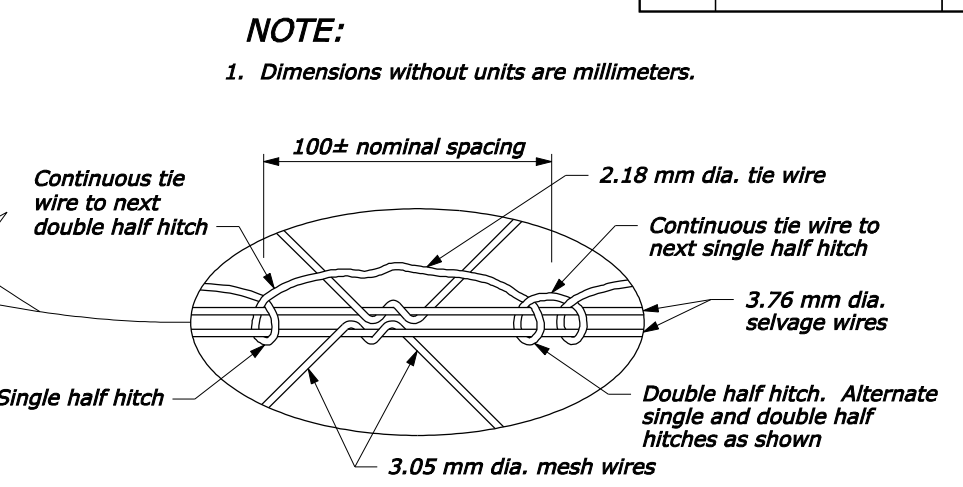


**SPIRAL BINDER TIE**  
(Welded wire mesh)



**HALF HITCH TYING DETAIL**  
(Welded wire mesh)

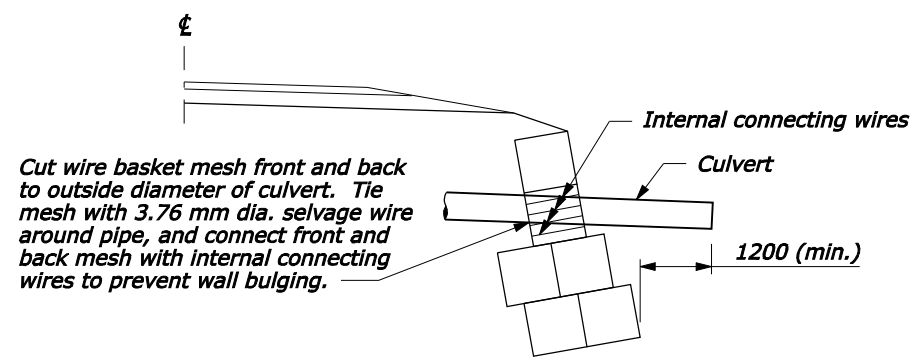
**3.76 mm DIAMETER SPIRAL BINDER**



**NOTE:**  
1. Dimensions without units are millimeters.

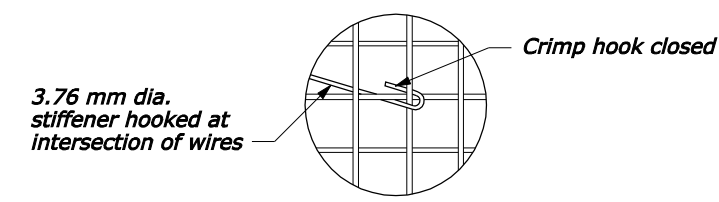
**HALF HITCH TYING DETAIL**  
(Twisted wire mesh)

**TYPICAL INSTALLATION GABION BASKETS**

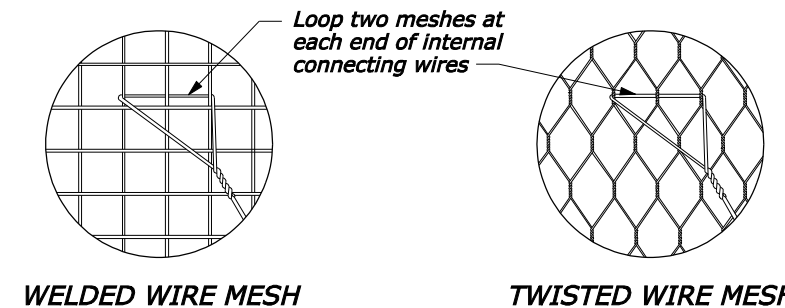


Cut wire basket mesh front and back to outside diameter of culvert. Tie mesh with 3.76 mm dia. selvage wire around pipe, and connect front and back mesh with internal connecting wires to prevent wall bulging.

**TYPICAL CULVERT INSTALLATION THROUGH GABION WALL**

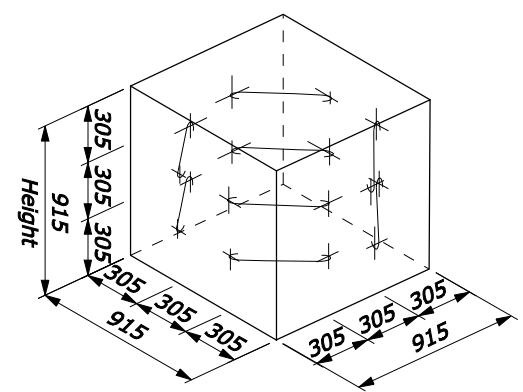


3.76 mm dia. stiffener hooked at intersection of wires



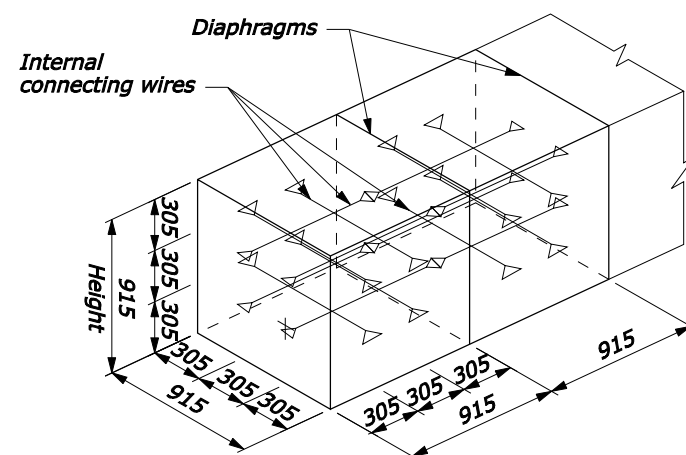
**WELDED WIRE MESH**

**TWISTED WIRE MESH**

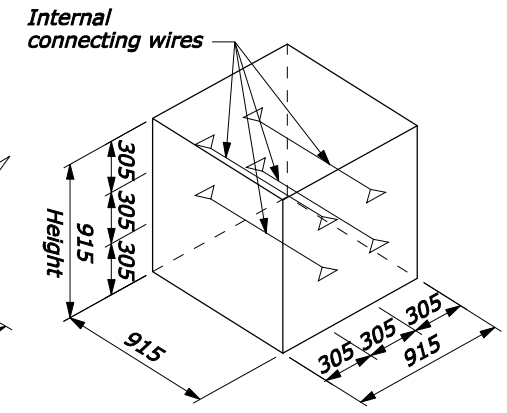


**ALL GABION CELLS**

**OPTIONAL INTERNAL CONNECTING WIRES WELDED WIRE GABION BASKET**

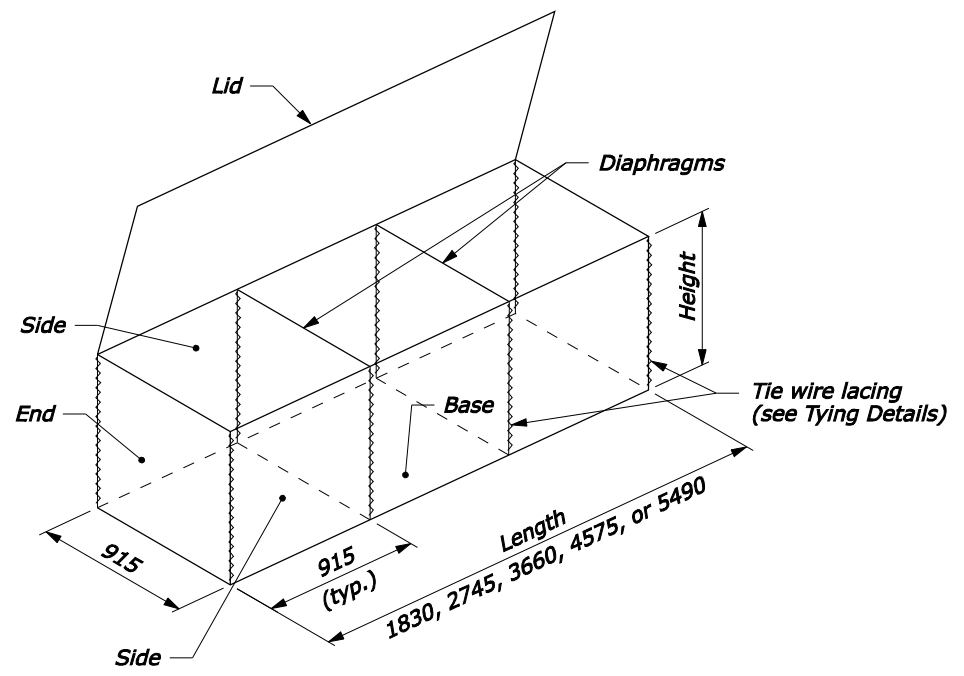


**ALL END GABION CELLS**



**ALL INTERIOR GABION CELLS**

**TYPICAL INTERNAL CONNECTING WIRES**



**TYPICAL ASSEMBLED GABION BASKET**

<b>GABION BASKET NOMINAL SIZES AND CAPACITY</b>				
Size Code Letter	Size in meters		Diaphragm Partitions	Capacity m <sup>3</sup>
	Length	Height		
A	1.83	0.915	1	1.5
B	2.75	0.915	2	2.3
C	3.66	0.915	3	3.1
X	4.58	0.915	4	3.8
Y	5.49	0.915	5	4.6

NO SCALE

U.S. DEPARTMENT OF TRANSPORTATION  
FEDERAL HIGHWAY ADMINISTRATION  
WESTERN FEDERAL LANDS HIGHWAY DIVISION

**METRIC DETAIL**

**GABION FACED WALL**

DETAIL APPROVED FOR USE --/----

REVISIONS:  
DRAFT: 2/2008

DETAIL  
WM253-2

08-Feb-2008 07:16 AM  
 fpp://196.145.188.2/scd\_dlan/wf/w25302.dgn [Metric]