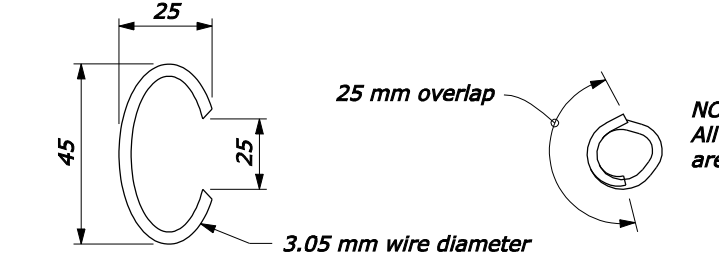


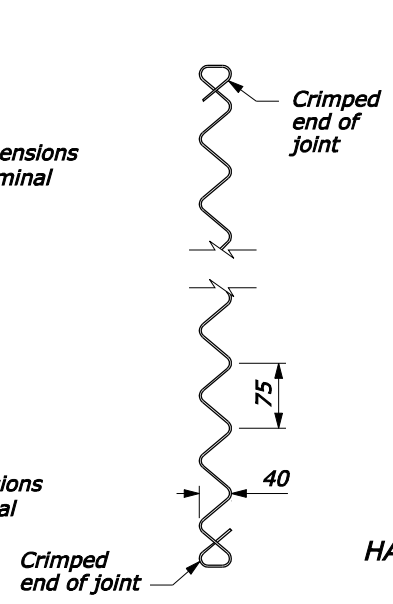
INTERLOCKING WIRE FASTENER
BEFORE CLOSURE AFTER CLOSURE

NOTE:
All dimensions are nominal

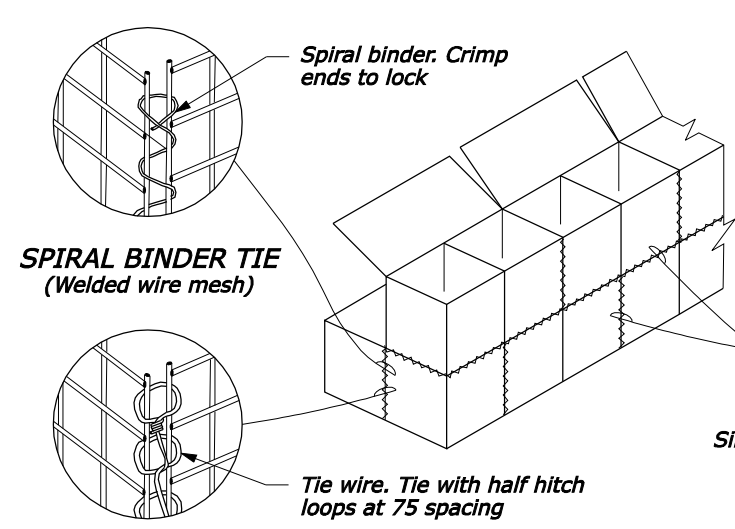


OVERLAPPING RING WIRE FASTENER
BEFORE CLOSURE AFTER CLOSURE

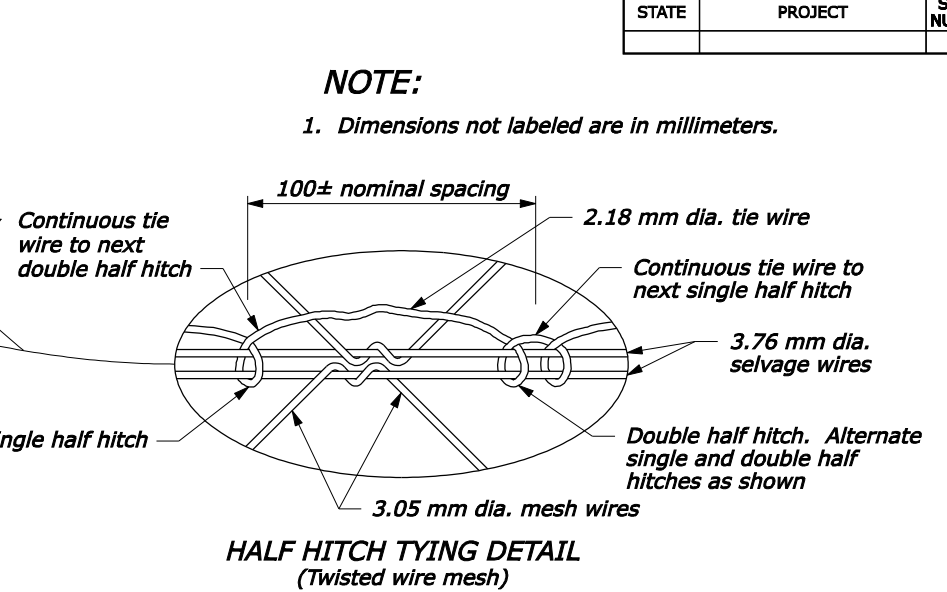
ALTERNATE TYING FASTENERS
(Not allowed for basket to basket connection)



3.76 mm DIAMETER SPIRAL BINDER



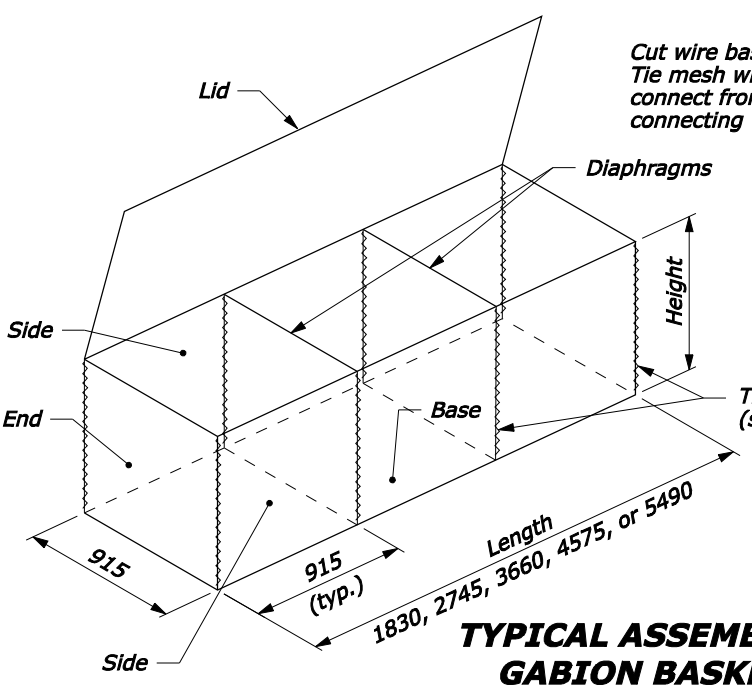
HALF HITCH TYING DETAIL (Welded wire mesh)



HALF HITCH TYING DETAIL (Twisted wire mesh)

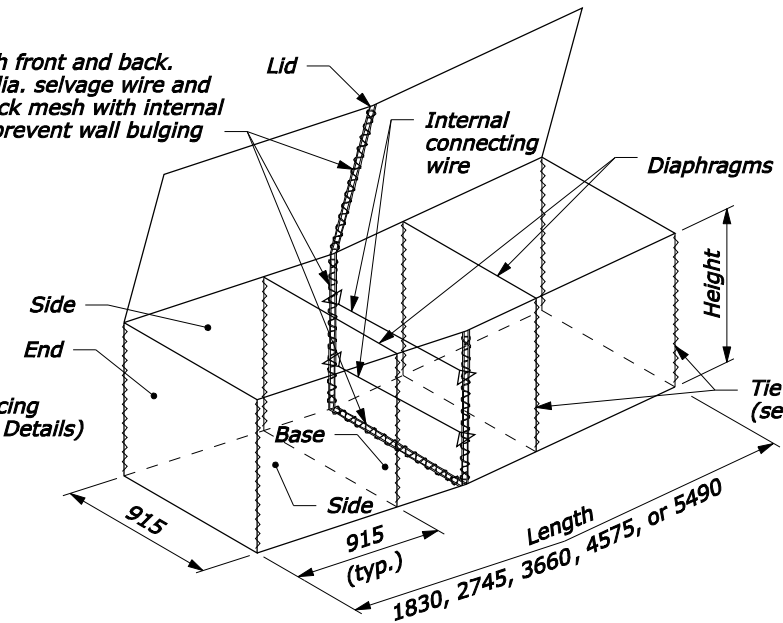
NOTE:
1. Dimensions not labeled are in millimeters.

TYPICAL INSTALLATION GABION BASKETS

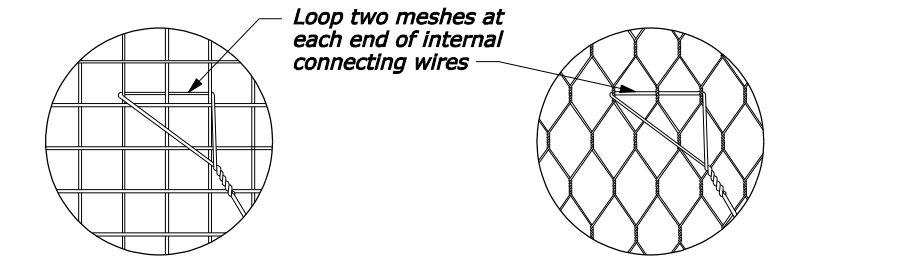


TYPICAL ASSEMBLED GABION BASKET

Cut wire basket mesh front and back. Tie mesh with 2.76 dia. selvage wire and connect front and back mesh with internal connecting wires to prevent wall bulging

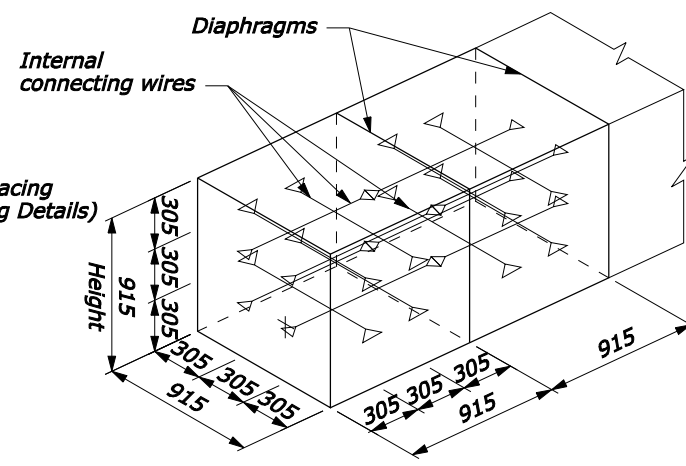


ASSEMBLED GABION BASKET IN WALL GRADE TRANSITION AREAS

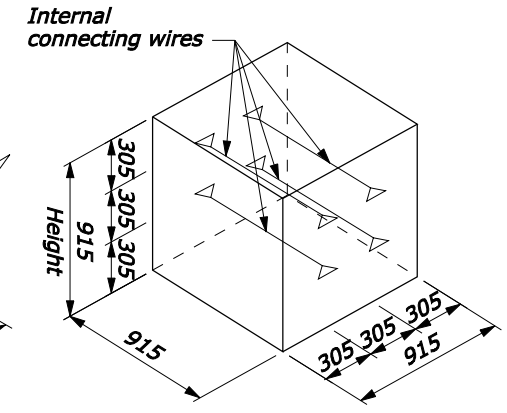


WELDED WIRE MESH

TWISTED WIRE MESH

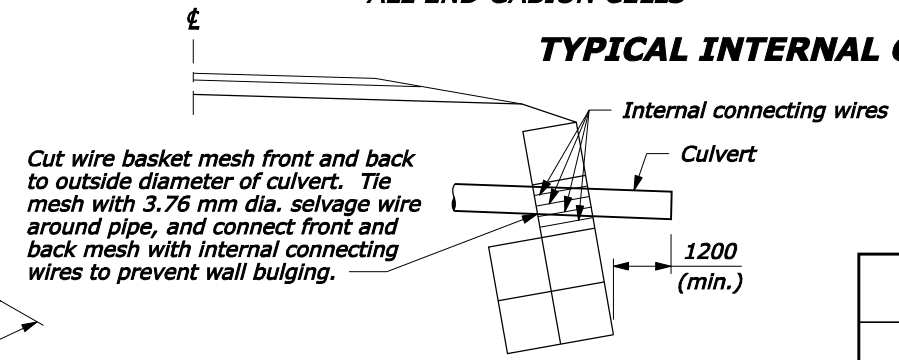


ALL END GABION CELLS



ALL INTERIOR GABION CELLS

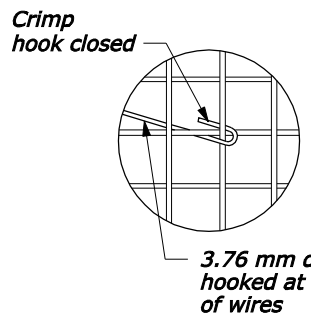
TYPICAL INTERNAL CONNECTING WIRES



TYPICAL CULVERT INSTALLATION THROUGH GABION WALL

NO SCALE

GABION BASKET NOMINAL SIZES AND CAPACITY				
Size Code Letter	Size in meters		Diaphragm Partitions	Capacity (m3)
	Length	Height		
A	1.83	0.915	1	1.5
B	2.75	0.915	2	2.3
C	3.66	0.915	3	3.1
X	4.58	0.915	4	3.8
Y	5.49	0.915	5	4.6
D	1.83	0.45	1	0.8
E	2.75	0.45	2	1.1
F	3.66	0.45	3	1.5
G	1.83	0.30	1	0.5
H	2.75	0.30	2	0.8
I	3.66	0.30	3	1.0



OPTIONAL INTERNAL CONNECTING WIRES WELDED WIRE GABION BASKET

07-Feb-2008 03:51 PM fpp://196.145.188.2/scd_dlan/nf/w25301.dgn [Metric]