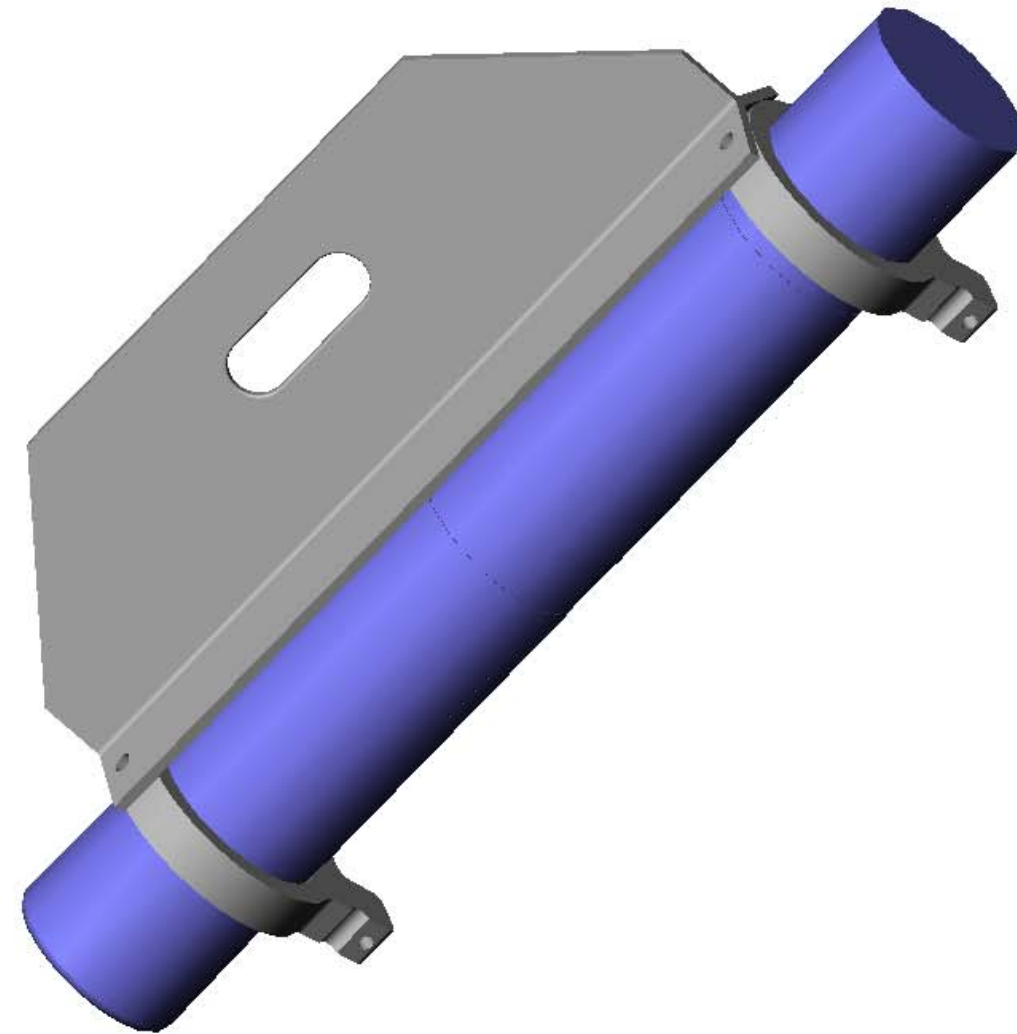
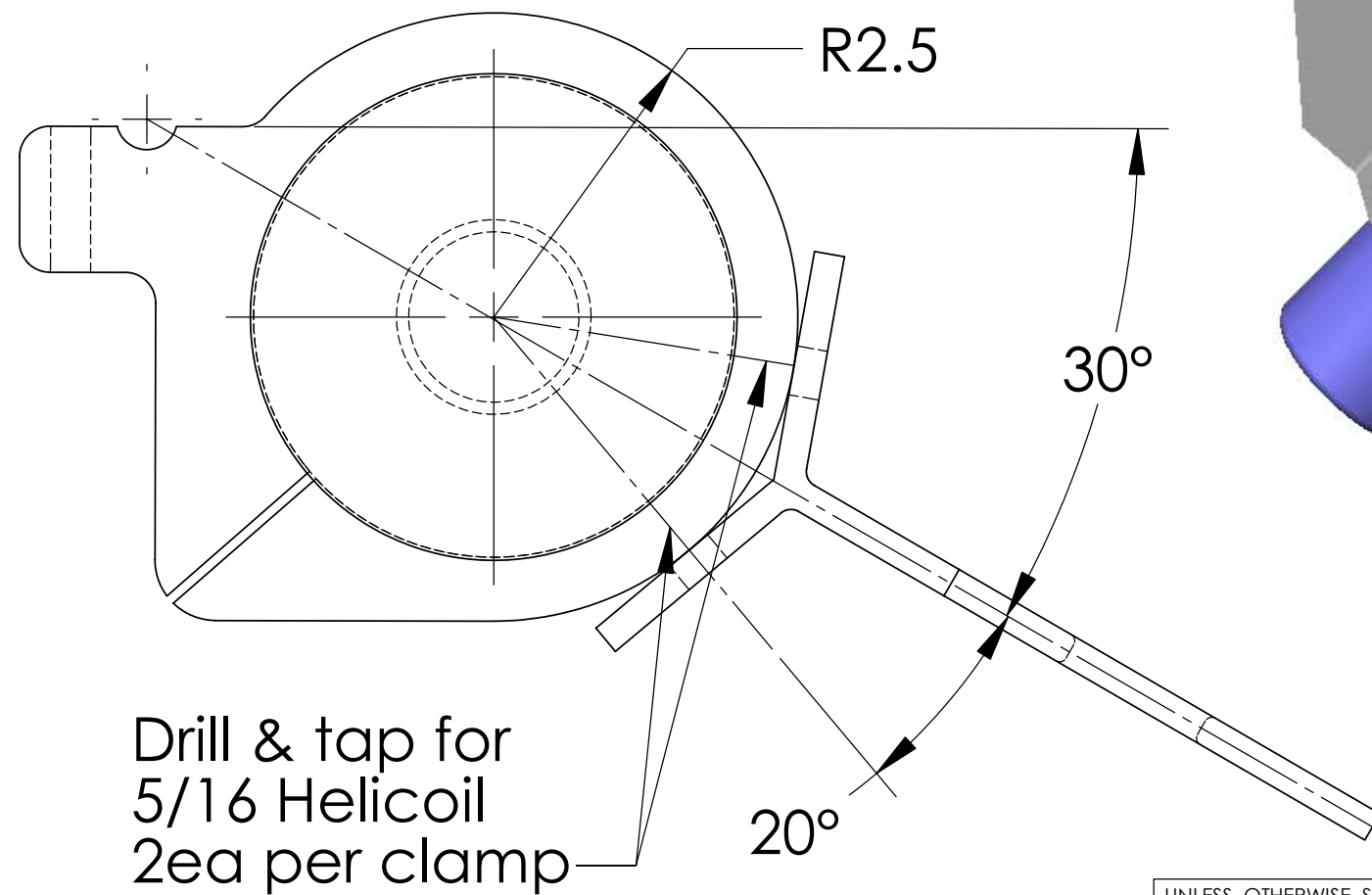


Std Helicoil insert
 5/16x18x15/32" length
 McMaster#91732a213



REV	DATE	DESCRIPTION	BY
REVISIONS			

UNLESS OTHERWISE SPECIFIED
 DIMENSIONS ARE IN INCHES
 TOLERANCES ARE:
 FRACTIONS ±1/16 ANGLES ±1°
 DECIMALS
 .X ±0.05
 .XX ±0.02
 .XXX ±0.002
 DO NOT SCALE DRAWING

CAD GENERATED DRAWING,
 DO NOT MANUALLY UPDATE

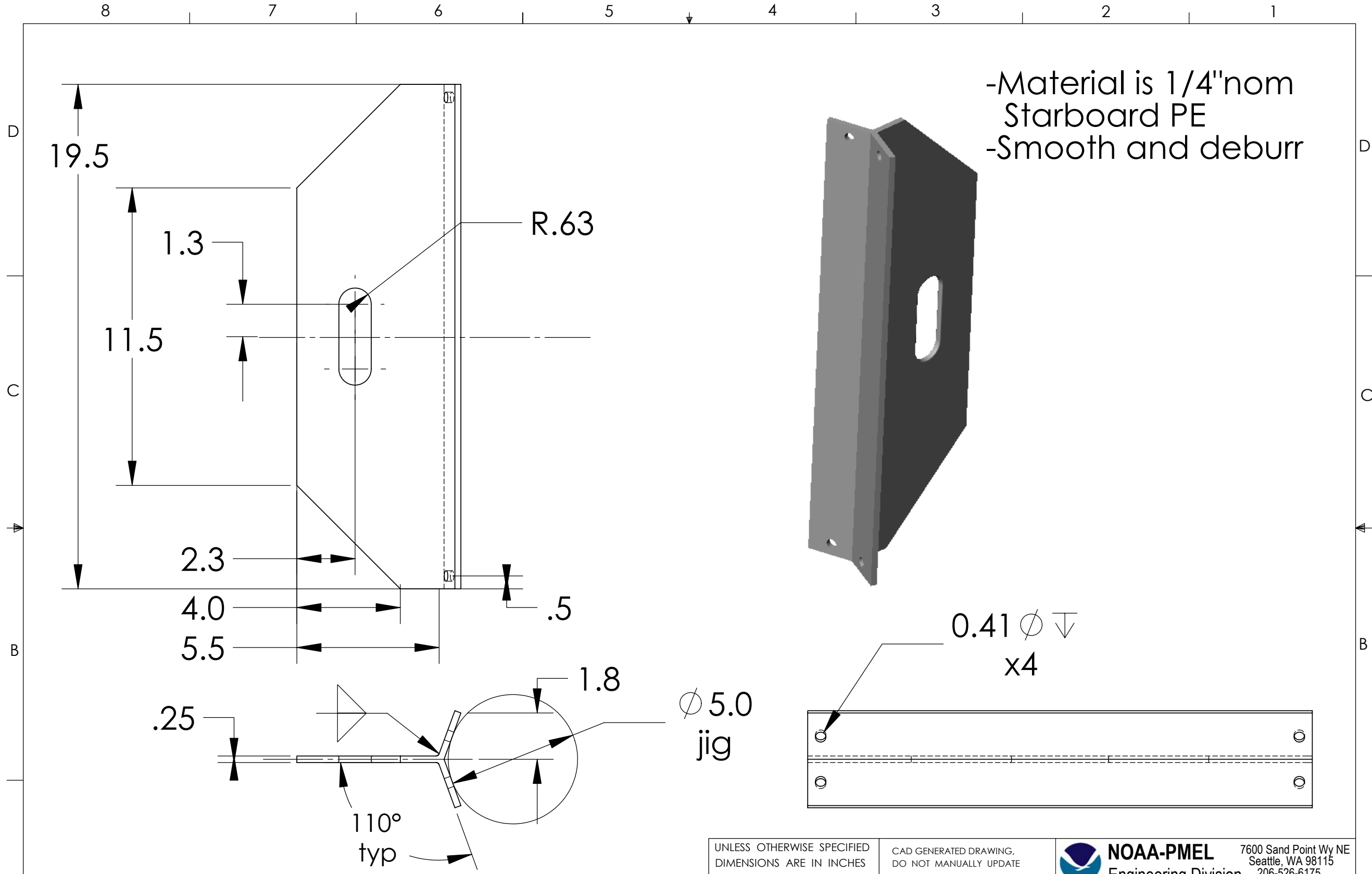
APPROVALS	DATE
DRAWN CM	
CHECKED	
MATERIAL:	
SCALE: 1:5	SIZE:

NOAA-PMEL 7600 Sand Point Wy NE
 Engineering Division Seattle, WA 98115
 206-526-6175

PROJECT:
Argonaut Fin

CAD FILE:
Argo fin REV. B

SHEET NAME:
Assembly SHEET:
 1 OF 2



-Material is 1/4"nom
Starboard PE
-Smooth and deburr

R.63

0.41 ϕ \pm 0.005
x4

ϕ 5.0
jig

110°
typ

REV	DATE	DESCRIPTION	BY
B	1/01	Shorten length & angle attachment	
REVISIONS			

UNLESS OTHERWISE SPECIFIED
DIMENSIONS ARE IN INCHES
TOLERANCES ARE:
FRACTIONS \pm 1/16 ANGLES \pm 1°
DECIMALS
.X \pm 0.05
.XX \pm 0.02
.XXX \pm 0.002
DO NOT SCALE DRAWING

CAD GENERATED DRAWING,
DO NOT MANUALLY UPDATE

APPROVALS	DATE
DRAWN CM	
CHECKED	
MATERIAL:	
SCALE: 1:5	SIZE:

NOAA-PMEL 7600 Sand Point Wy NE
Engineering Division Seattle, WA 98115
206-526-6175

PROJECT:
Argonaut Fin

CAD FILE:
Argo fin REV. B

SHEET NAME:
single SHEET:
2 OF 2