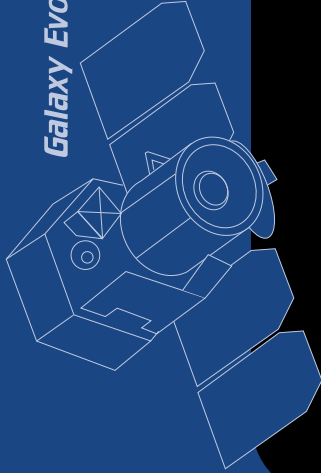


GALEX

Galaxy Evolution Explorer



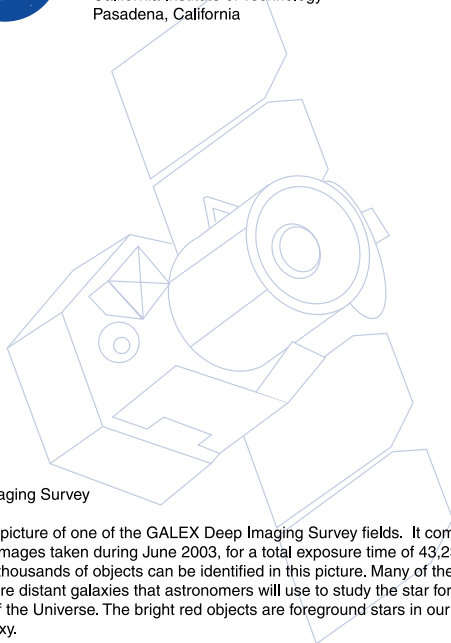
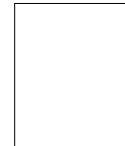
Deep Imaging Survey



National Aeronautics and
Space Administration

Jet Propulsion Laboratory
California Institute of Technology
Pasadena, California

GALEX
www.galex.caltech.edu



To:

Deep Imaging Survey

This is a picture of one of the GALEX Deep Imaging Survey fields. It combines more than 20 images taken during June 2003, for a total exposure time of 43,235 seconds. Tens of thousands of objects can be identified in this picture. Many of the faint blue objects are distant galaxies that astronomers will use to study the star formation history of the Universe. The bright red objects are foreground stars in our milky way galaxy.