

# Kitchen Companion



*Your Safe Food Handbook*



# Kitchen Companion

*Your Safe Food Handbook*

“Food safety.” You hear a lot about it . . . and you know a lot about it. But as with any comprehensive topic, there may be simple steps that are second nature that you’ve practiced forever — like hand washing — and then there may be current or updated information that is less familiar, or that may have changed since the last time you looked.

That’s what **Kitchen Companion: Your Safe Food Handbook** is all about. This food safety handbook contains all the basic information you need to know about food safety . . . some old, some new . . . and all in one place.

Between the information-rich chapters and the easy index in the back, **Kitchen Companion** will likely answer all of your food safety questions. But if not . . . don’t miss the food safety contact information on page 44. The USDA’s Food Safety and Inspection Service is always there to help.

So read on . . . and **Be Food Safe**.



## A Special Note to Those Most "At Risk"

Some people are at higher risk for developing foodborne illness. These include pregnant women and their unborn babies, newborns, young children, older adults, and people with weakened immune systems.

If you — or someone you care for — are in one of these at-risk groups, it's important to pay extra attention to handling food safely. For more on those most at risk, visit [www.fsis.usda.gov](http://www.fsis.usda.gov).



## About USDA's Food Safety and Inspection Service (FSIS)

FSIS is the public health agency within the U.S. Department of Agriculture that is responsible for ensuring that the Nation's commercial supply of meat, poultry, and processed egg products is safe, wholesome, and correctly labeled and packaged.

FSIS focuses on inspecting and protecting the U.S. food supply . . . and educating consumers about safe food handling and reducing the risks of foodborne illness.

Visit FSIS online at [www.fsis.usda.gov](http://www.fsis.usda.gov).

## table of contents

<b>Foodborne Bacteria</b>	Turkey and Other Poultry . . . . .	24
Spoilage Bacteria . . . . .	Eggs and Egg-Rich Food . . . . .	28
Pathogenic Bacteria . . . . .	Egg Storage Chart . . . . .	29
Major Foodborne Pathogens . . . . .	Hot Dogs and Luncheon Meat . . . . .	30
	Leftovers . . . . .	30
<b>Shopping for Food</b>		
At the Store . . . . .		8
Focus on: The "Danger Zone". . . . .		9
Transporting Groceries . . . . .		9
About Food Labels . . . . .		10
<b>Storing Food</b>		
Refrigerated Perishable Food . . . . .		11
Frozen Food . . . . .		12
Cold Storage Chart . . . . .		13
Shelf-Stable Food . . . . .		14
<b>Food Preparation</b>		
Keeping It Clean . . . . .		15
Preparation Tips for Produce . . . . .		16
Thawing . . . . .		16
<b>Cooking Food Safely</b>		
About Food Thermometers . . . . .		17
How to Use a Food Thermometer . . . . .		17
Food Thermometers and Temperature Indicators . . . . .		18
Done Versus Safe . . . . .		18
Safe Minimum Internal Temperature Chart . . . . .		19
Avoid the "Danger Zone" . . . . .		19
<b>Special Guidelines for Certain Food</b>		
Ground Meat and Poultry . . . . .		20
Ham . . . . .		20
Roasts . . . . .		21
Roasting Chart . . . . .		22
	Specific Preparation and Cooking Methods . . . . .	31
	Marinating . . . . .	31
	Microwave Cooking . . . . .	31
	Grilling and Barbecuing . . . . .	32
	Smoking . . . . .	33
	Slow Cooking . . . . .	34
	<b>Serving Food Safely</b>	
	General Guidelines . . . . .	35
	Buffets . . . . .	36
	Cooking for Groups . . . . .	36
	Take-Out and Delivered Food . . . . .	37
	<b>Transporting Food</b>	
	Bag Lunches . . . . .	38
	Coolers . . . . .	39
	<b>Food Safety for Food-by-Mail</b>	
	Mail-Order Food . . . . .	40
	<b>Food Safety in an Emergency</b>	
	Product Recalls . . . . .	41
	Power Outages . . . . .	41
	In Case of Flood . . . . .	42
	In Case of Fire . . . . .	43
	<b>Food Safety Contacts</b>	
	"Ask Karen" . . . . .	43
	USDA Meat & Poultry Hotline . . . . .	44
	For More Information . . . . .	44
	<b>Index</b> . . . . .	45

## Four Simple Steps to Food Safety



Clean



Separate



Cook



Chill

# foodborne bacteria

There are two kinds of foodborne bacteria: one that spoils your food and one that makes you sick. It's good to be familiar with both . . . but it's critical that you follow safe food handling practices to keep the second one at bay.

## Spoilage Bacteria

Spoilage bacteria are bacteria that cause food to go bad — in other words, to “spoil.” With spoilage bacteria, the food looks or smells funny or bad, so you know to throw it out. These bacteria can grow at lower temperatures — even in the refrigerator. But while they can make food unappealing and inedible . . . they do *not* usually cause illness.

## Pathogenic Bacteria

These are the ones you need to watch out for — in fact, it's pathogenic bacteria that the food safety precautions throughout this handbook are intended to prevent. You can't see, smell, or taste these pathogens — and this makes them difficult to detect. What's more, they cause a variety of foodborne illnesses — and can make you really, really sick.

## Foodborne Illness

Often called “food poisoning,” foodborne illness comes from a food you eat. It's caused by ingesting *pathogenic bacteria*.

## Pathogenic Bacteria: The Cause of Foodborne Illness

Pathogenic bacteria cause illness — and they can get in food in a number of ways. Sometimes these bacteria occur naturally and are destroyed by cooking food to safe temperatures. Pathogenic bacteria can also end up contaminating food when proper guidelines for cleaning hands, surfaces, and utensils and for avoiding cross-contamination are not followed.

- Different bacteria are present in different foods . . . and some are more common in certain situations.

For example, *Salmonella* is most often found in poultry or eggs, whereas *E. coli* is more typically found in or on meats and vegetables. Meanwhile, *Staphylococcus aureus* and *Clostridium perfringens* frequent people's hands — and even buffet lines.

- Throughout this *Handbook*, you'll find effective strategies for preventing illness from pathogenic bacteria. Food safety is extremely important and should be practiced with every meal you eat or prepare. The *Major Pathogens* chart (on pages 6-7) gives greater detail regarding the most common foodborne bacteria . . . where they are found . . . and what they can do if ingested.

## About Mold on Food

**Molds** are *not* bacteria. To learn about mold on food, visit [www.fsis.usda.gov/fact\\_sheets/molds\\_on\\_food/index.asp](http://www.fsis.usda.gov/fact_sheets/molds_on_food/index.asp).

## Foodborne Illness: Know the Signs and Symptoms . . . and Take Action

The signs and symptoms of foodborne illness range from upset stomach, diarrhea, fever, vomiting, abdominal cramps, and dehydration to more severe illness — even death. If you become ill and believe your illness is due to a food product:

- **Seek treatment as necessary.** Contact your doctor — especially if symptoms persist or become severe (bloody diarrhea, excessive nausea and vomiting, or high fever). For victims in an at-risk group (pregnant women and their unborn babies, newborns, young children, older adults, and people with weakened immune systems), seek medical care immediately.
- **Call your local health department** if the suspect food was served at a large gathering, at a restaurant or other food service facility, or if it is a commercial product.

## Foodborne Illness in the United States

The food supply in the United States is safe. However, when certain disease-causing bacteria or pathogens contaminate food, they can cause foodborne illness.

According to the U.S. Centers for Disease Control and Prevention, approximately 76 million persons get sick, 325,000 are hospitalized, and 5,000 people die from foodborne illness and infection each year. Many of these are very young, very old, or have weakened immune systems and may not be able to fight infection normally.

Since foodborne illness can be serious — or even fatal — it is important for you to know and practice safe food handling behaviors to help reduce your risk of accidentally getting sick from contaminated food.



## Major Pathogens That Cause Foodborne Illness (Bacteria, Parasites, Viruses)

Pathogen	Methods of Transmission	Symptoms and Potential Impact
<b><i>Campylobacter jejuni</i></b>	<ul style="list-style-type: none"> <li>Contaminated water</li> <li>Raw milk</li> <li>Raw or undercooked meat, poultry, or shellfish</li> </ul>	<ul style="list-style-type: none"> <li>Fever, headache, and muscle pain followed by diarrhea (sometimes bloody), abdominal pain, and nausea that appear 2 to 5 days after eating; may last 7 to 10 days.</li> <li>May spread to bloodstream and cause a serious life-threatening infection.</li> </ul>
<b><i>Clostridium perfringens</i></b>	<ul style="list-style-type: none"> <li>Called the “cafeteria germ” because many outbreaks result from food left for long periods on steam tables or at room temperature.</li> <li>Meats, meat products, and gravy</li> </ul>	<ul style="list-style-type: none"> <li>Intense abdominal cramps and diarrhea begin 8 to 22 hours after eating; usually lasts 24 hours. In the elderly, symptoms may last 1 to 2 weeks.</li> <li>Complications and/or death occur only very rarely.</li> </ul>
<b><i>Escherichia coli</i> O157:H7</b> One of several strains of <i>E. coli</i> that can cause human illness	<ul style="list-style-type: none"> <li>Undercooked beef, especially hamburger</li> <li>Unpasteurized milk and juice</li> <li>Contaminated raw fruits and vegetables, and water</li> <li>Person-to-person</li> </ul>	<ul style="list-style-type: none"> <li>Severe diarrhea that is often bloody, abdominal cramps, and vomiting. Usually little or no fever.</li> <li>Can begin 1 to 8 days after food is eaten; lasts about 5 to 10 days.</li> <li>Some, especially the very young, have developed hemolytic-uremic syndrome (HUS) that causes acute kidney failure or even death.</li> </ul>
<b><i>Listeria monocytogenes</i></b> Can grow slowly at refrigerator temperatures	<ul style="list-style-type: none"> <li>Contaminated hot dogs, luncheon meats, cold cuts, fermented or dry sausage, and other deli-style meat and poultry</li> <li>Soft cheeses and unpasteurized milk</li> </ul>	<ul style="list-style-type: none"> <li>Fever, chills, headache, stiff neck, backache, sometimes upset stomach, abdominal pain, and diarrhea. May take up to 3 weeks to become ill.</li> <li>At-risk patients (including pregnant women) may later develop more serious illness from this bacteria that could result in death.</li> <li>Pregnant women who think they have eaten contaminated food should seek medical advice.</li> </ul>
<b>Noroviruses</b> (and other caliciviruses)	<ul style="list-style-type: none"> <li>Shellfish and fecally contaminated foods or water</li> <li>Ready-to-eat food touched by infected food workers, e.g., salads, sandwiches, ice, cookies, fruit</li> </ul>	<ul style="list-style-type: none"> <li>Nausea, vomiting, stomach pain, fever, muscle aches, and some headache usually appear within 1 to 2 days and may last 1 to 2 days.</li> <li>Diarrhea is more prevalent in adults, and vomiting is more prevalent in children.</li> </ul>
<b><i>Salmonella</i></b> (over 2,300 types)	<ul style="list-style-type: none"> <li>Raw or undercooked eggs, poultry, and meat</li> <li>Raw milk or juice</li> <li>Cheese and seafood</li> <li>Contaminated fresh fruits and vegetables</li> </ul>	<ul style="list-style-type: none"> <li>Stomach pain, diarrhea, nausea, chills, fever, and headache usually appear 8 to 72 hours after eating; may last 4 to 7 days.</li> <li>A more severe illness may result if the infection spreads from the intestines to the bloodstream. Without treatment, death may result.</li> </ul>
<b><i>Staphylococcus aureus</i></b>	<ul style="list-style-type: none"> <li>Contaminated milk and cheeses</li> <li>Salty foods; e.g., ham</li> <li>Sliced meat</li> <li>Food made by hand that require no cooking; e.g., puddings, sandwiches</li> <li>Foodworkers who carry the bacteria and contaminate food</li> </ul>	<ul style="list-style-type: none"> <li>Nausea, vomiting, stomach cramps, and diarrhea usually occur within 30 minutes to 6 hours after eating contaminated food.</li> <li>Symptoms typically last 1 to 3 days; the young and the elderly may have a more severe illness.</li> </ul>
<b><i>Toxoplasma gondii</i></b>	<ul style="list-style-type: none"> <li>Accidental ingestion of soil contaminated with cat feces on fruits and vegetables; raw or undercooked meat</li> </ul>	<ul style="list-style-type: none"> <li>Flu-like illness usually appear 5 to 23 days after eating; may last months. Those with a weakened immune system may develop more serious illness.</li> <li>Can cause problems with pregnancy, including miscarriage.</li> </ul>
<b><i>Vibrio vulnificus</i></b>	<ul style="list-style-type: none"> <li>Undercooked or raw seafood, such as fish and shellfish</li> </ul>	<ul style="list-style-type: none"> <li>Diarrhea, stomach pain, and vomiting may appear within 1 to 7 days and last 2 to 8 days. May result in a blood infection; can result in death for those with a weakened immune system.</li> </ul>



# shopping for food

For consumers, food safety most likely begins in the supermarket aisle. Whether you're doing a quick trip to pick up dinner ingredients . . . or tackling a week's worth of grocery shopping all at once, there are a few easy steps you can follow to ensure that the food you bring home will arrive there safely.

## At the Store

- **Select cold food last.** Picking up perishable food like meat, poultry, and eggs at the end of your shopping trip ensures that they stay refrigerated until right before checkout.
- **Read the label.** Don't buy food that is past the "Sell-By," "Use-By," or other expiration dates. (See *About Food Labels* on page 10.)
- **Check the packaging.** Never choose meat or poultry with packaging that is torn or leaking. Make sure frozen food is frozen solid and refrigerated food feels cold.
- **Buy clean eggs.** At the store, choose refrigerated Grade A or AA eggs with clean, uncracked shells before the "Sell-By" or "EXP" (expiration) date on the carton. When purchasing egg products or egg substitutes, look for containers that are tightly sealed.
- **Inspect fresh produce.** Don't buy fresh fruits or vegetables that are bruised or damaged. Make sure fresh-cut fruits and vegetables are displayed in refrigerated cases at the store. If not . . . don't buy them.
- **Place meat, poultry, and seafood in plastic bags.** By bagging these foods before placing them in your cart, you'll

## Cross-Contamination

Cross-contamination is the transfer of harmful bacteria to a food from other foods, cutting boards, utensils, surfaces, or hands.

It is prevented by keeping food separated and by keeping hands, utensils, and food handling surfaces clean.



guard against cross-contamination — which can happen when raw meat or poultry juices drip on other food, spreading bacteria from one food to another.

- **Separate foods in your grocery cart.** Keep raw meat, poultry, seafood, and their juices away from other food to further prevent the possibility of cross-contamination. Keep them separated during checkout and in your grocery bags, too.

## Transporting Groceries

Once your groceries are packed for the trek home, there are some easy "timing" tips you should follow to continue to maintain their safety.

- **Go straight home.** Plan to drive directly home from the grocery store. Don't leave groceries in the car while you run other errands. The key is to **always refrigerate perishable food within 2 hours**. This is true of all perishable food and in all situations — and is known as the "2-Hour Rule."
- **Do a "Weather Check."** When the outside temperature reaches 90 °F, you should refrigerate your purchased perishables more quickly — **within 1 hour**. If your grocery store is more than a half hour away from home, bring a cooler when you go shopping. Pack your meat, poultry, seafood, and eggs in a cooler for the drive home.

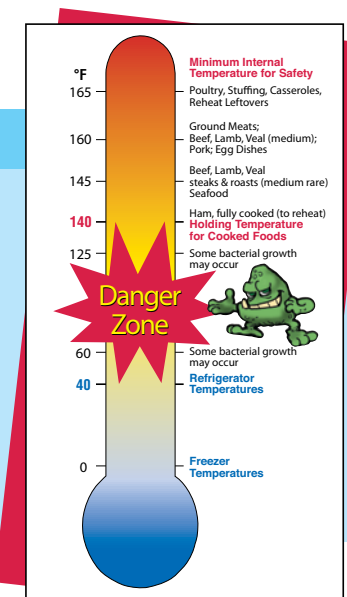
## Arriving Home

When you get home, don't get caught up reading the mail! Unload your groceries right away to keep them safe, and refrigerate or freeze all perishables.



## Focus on: The "Danger Zone"

Throughout the **Kitchen Companion**, there are references to keeping food out of the "Danger Zone." Understanding the "Danger Zone" is critical — because bacteria can multiply rapidly in any perishable food that is left in the "Danger Zone" (between 40 and 140 °F) for more than 2 hours. (See *Remember the 2-Hour Rule* on page 35.) The "Danger Zone" is a potential risk for cold food that goes above 40 °F and hot food that falls below 140 °F. However, it's easy to avoid the "Danger Zone": just keep hot food hot and cold food cold!



## About Food Labels

### Product Dating

The dates on labels have different meanings. Here's how to decipher them:

**“Sell By” date:** Tells the store how long to display the product for sale. You should buy the product before the date expires.



**“Best If Used By” (or Before) date:** Recommended for best flavor or quality. It is *not* a purchase or safety date.

**BEST IF USED BY**  
10 NOV 07

**“Use-By” date:** The last date recommended for the use of the product while at peak quality. The date has been determined by the manufacturer of the product.

**Closed or Coded dates:** Packing numbers for use by the manufacturer. If a product is not “dated,” consume perishable ready-to-eat food soon after purchasing it, and no more than 3 to 5 days after opening it.

### What is “Organic”?

- **Organic meat, poultry, eggs, and dairy products** come from animals that are given no antibiotics or growth hormones.
- **Organic foods:** To be labeled “organic,” a Government-approved certifier must inspect the farm where the food is grown to make sure all the rules necessary to comply with USDA organic standards are met.

For more information, visit [www.ams.usda.gov/nop](http://www.ams.usda.gov/nop).



### Ready to Eat ... or Not?

Check labels carefully. Some products may appear to be precooked or browned, but are raw and not ready to eat. These foods must be fully cooked for safety. Unless a product is labeled as “fully cooked,” the food should be handled and prepared no differently than raw products.

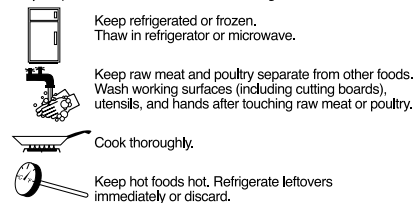


### Safe Handling Instructions

These guidelines on raw meat and poultry provide specific information for handling and preparation. Following these instructions is particularly important for consumers in at-risk groups.

### Safe Handling Instructions

This product was prepared from inspected and passed meat and/or poultry. Some food products may contain bacteria that could cause illness if the product is mishandled or cooked improperly. For your protection, follow these safe handling instructions.



## storing food

The food you store falls into three basic “storage categories.”

- **Perishable food:** in the refrigerator (read the label if you're not sure)
- **Frozen food:** in the freezer
- **Shelf-stable food:** in a clean, dry place

### Refrigerated Perishable Food

Food safety is the best reason ever to “chill out”! Follow these basic guidelines to protect your perishables — and yourself and your family. And remember: always refrigerate perishable food within 2 hours (1 hour when the temperature is above 90 °F).

- **Raw Meat, Poultry, and Seafood:** Place in containers or sealed plastic bags to prevent their juices from dripping onto other food in the refrigerator. This could cause cross-contamination (see inset box, page 8). If you're not planning to use the food within a day or two, freeze it.
- **Cooked, Whole Stuffed Poultry:** See page 26 for storing cooked poultry.
- **Eggs:** Store in the original carton and place in the main compartment of the refrigerator — not in the door. When ready to use, do not wash them. (Read more about *Eggs* on page 28.)
- **Produce:** Store perishable produce in the refrigerator. Throw away fresh fruits and vegetables that have not been refrigerated within 2 hours of cutting, peeling, or cooking. If any fruit or vegetable has touched raw meat, poultry, or seafood and will not be cooked immediately, do not eat it. Throw it away.

### It's a Date!

- As you store your food, **check dates** on the labels.
- If a product does not have a date on it, **write the purchase date on it** before you refrigerate or freeze it.
- Place newer items in the back of the refrigerator or freezer. That way, you'll **use the older ones first**.
- **Leftovers:** Refrigerate (or freeze) leftovers within 2 hours in clean, shallow, covered containers to prevent harmful bacteria from multiplying. (See more on *Leftovers* on page 30.)



## Frozen Food

For long-term storage of many perishable foods, rely on the freezer. Food stored constantly at 0 °F or below will always be safe. Only the quality suffers with lengthy freezer storage.

### Freezer Facts

- **Preventing Freezer Burn:** Freezer burn — white, dried-out patches on the surface of meat — won't make you sick, but it *does* make meat tough and tasteless. Here's how to avoid it:
  - Wrap freezer items in heavy freezer paper, plastic wrap, freezer bags, or foil.
  - Date all freezer packages. Use the oldest food first.
  - Place new items toward the back of the freezer — that way, older items are easier to access and you'll use them first.
- **Refreezing Thawed Food:** If food is thawed in the refrigerator, it is safe to refreeze it without cooking. (See *Thawing* section on page 16.)



However, there may be a loss of *quality* due to the moisture lost through defrosting.

- **Freezing Cooked Food:** After cooking raw food that was previously frozen, it is safe to freeze the cooked food. In addition, if previously cooked food were frozen and then thawed in the refrigerator, you may refreeze the unused portion.
- **Prevent Moisture Loss:** To maintain quality when freezing meat and poultry in its original packaging, overwrap the package with foil or plastic wrap that is recommended for use in the freezer.

## Your Refrigerator and Freezer: Take Their Temperatures!

It's common to assume that your refrigerator's temperature control dial keeps food cold enough — but this isn't necessarily true. "Built-in" temperature control dials may not be effective, and if your refrigerator isn't cooling to 40 °F or below, you're providing a haven for bacteria to grow.

- Instead, use a separate appliance thermometer to check the internal refrigerator temperature and help keep food safe. They are available in grocery, hardware, and kitchen specialty stores.
- If the refrigerator thermometer shows a temperature that's too high (above 40 °F), adjust the refrigerator's control dial.
- Use the thermometer to check the freezer, too. It should read 0 °F or below. If not, adjust the dial.

## Cold Storage Chart

Product	Refrigerator (40 °F or below)	Freezer (0 °F or below)
<b>Eggs</b> — See Page 29		
<b>Salads</b>		
Egg, chicken, ham, tuna & macaroni salads	3 to 5 days	Does not freeze well
<b>Hot dogs</b>		
opened package	1 week	1 to 2 months
unopened package	2 weeks	1 to 2 months
<b>Luncheon meat</b>		
opened package or deli sliced	3 to 5 days	1 to 2 months
unopened package	2 weeks	1 to 2 months
<b>Bacon &amp; Sausage</b>		
Bacon	7 days	1 month
Sausage, raw — from chicken, turkey, pork, beef	1 to 2 days	1 to 2 months
<b>Hamburger &amp; Other Ground Meats</b>		
Hamburger, ground beef, turkey, veal, pork, lamb, & mixtures of them	1 to 2 days	3 to 4 months
<b>Fresh Beef, Veal, Lamb &amp; Pork</b>		
Steaks	3 to 5 days	6 to 12 months
Chops	3 to 5 days	4 to 6 months
Roasts	3 to 5 days	4 to 12 months
<b>Fresh Poultry</b>		
Chicken or turkey, whole	1 to 2 days	1 year
Chicken or turkey, pieces	1 to 2 days	9 months
<b>Soups &amp; Stews</b>		
Vegetable or meat added	3 to 4 days	2 to 3 months
<b>Leftovers</b>		
Cooked meat or poultry	3 to 4 days	2 to 6 months
Chicken nuggets or patties	3 to 4 days	1 to 3 months
Pizza	3 to 4 days	1 to 2 months



## Shelf-Stable Food

Food that doesn't need to be refrigerated or frozen must still be stored with care. Follow these basic guidelines and you'll have food safety in the bag (or can)!

- **Where:** Store canned food and other shelf-stable products in a cool, clean, dry place. Never put them above the stove, under the sink, in a damp garage or basement, or any place exposed to high or low temperature extremes.
- **How Long:** In general, you can store high-acid food such as tomatoes and other fruit for 12 to 18 months; low-acid food such as meat and vegetables, 2 to 5 years.
- **Care and Cautions for Cans:** Discard cans that are dented, leaking, bulging, or rusted. Can linings might discolor or corrode when metal reacts with high-acid food such as tomatoes or pineapple — but as long as the outside of the can is in good shape, the contents should be safe to eat. Keep in mind, though, that the taste, texture, and nutritional value of the food can diminish over time. (Also see *In Case of Flood* on page 42.)



## Botulism Alert

The greatest danger in canned goods is a toxin produced by the *Clostridium botulinum* bacteria. Never use food from containers that show possible "botulism" warnings:

- Leaking, bulging, or badly dented cans
- Cracked jars or jars with loose or bulging lids
- Canned food with a foul odor
- Any container that spurts liquid when opened.

Play it safe — and *never* taste it. Even a tiny amount of *botulinum* toxin can be deadly. Double bag the cans and jars in plastic bags that are tightly closed. Then place in a trash receptacle for non-recyclable trash outside of the home. Keep out of reach of humans and pets.

## food preparation

*Food safety doesn't end with buying, transporting, and storing food safely. In fact, once you have food home . . . the safety of your food is, literally, in your hands. Follow these basic guidelines — and remember, safe food preparation always begins with "clean."*

## Keeping It Clean

### Handwashing

- Always wash hands with soap and warm water for 20 seconds before beginning food preparation, after handling food, and after using the bathroom, changing diapers, or touching pets.
- Use gloves to handle food if you have a cut or infection. Do not sneeze or cough into food.

### Surfaces and Utensils

- Harmful bacteria can spread throughout the kitchen and get onto cutting boards, utensils, and countertops — causing "cross-contamination." (See inset box on page 8.) Keep raw meat, poultry, fish, and their juices away from other food — especially ready-to-eat food.
- Wash cutting boards, dishes, and countertops with hot, soapy water **after** preparing each food item and **before** you go on to the next item.
  - After cutting raw meat, poultry, and seafood, wash cutting boards, knives, and countertops with hot, soapy water.

### Cutting Boards

- Proper cutting board "care-and-feeding" is a key component of preventing cross-contamination. Here's how:
- Always use a clean cutting board for food preparation.
  - Try to use one cutting board for fresh produce — and a separate one for raw meat, poultry, and seafood.
  - Sanitize cutting boards with a freshly made solution of 1 tablespoon of unscented, liquid chlorine bleach in 1 gallon of water.
  - Once cutting boards become excessively worn or develop hard-to-clean grooves, replace them.

### Kitchen Cleanup

- Use hot, soapy water and a clean dishcloth (or paper towels) to clean kitchen surfaces and wipe up spills.
- Wash dishcloths often in the hot cycle of your washing machine.

## Common Sense Caution

If you're not sure how old a food is, or fear that it may not have been properly refrigerated or has been left out too long, don't taste it! Instead, remember the "golden rule" of food storage:

*When in doubt, throw it out!*



## Preparation Tips for Produce

Fresh fruits and veggies are nutritional mainstays. Here's how to make sure they're safe:

- Before eating or preparing, wash fresh produce under cold running tap water to remove any lingering dirt. This also reduces bacteria that may be present. Firm produce (like apples or potatoes) can be scrubbed with a brush.
- Don't wash fruits and vegetables with detergent or soap. These products are *not approved* for use on food. You could ingest residues from soap or detergent absorbed by the produce.
- Remove and throw away bruised or damaged portions of fruits and vegetables when preparing to cook them or before eating them raw.



## Thawing

Going from “frozen to thawed” needs to be accomplished safely! There are three ways to thaw — and because bacteria can multiply rapidly at room temperature, *none* of these methods involve the kitchen counter.

*In the Refrigerator:* This is the safest way to thaw meat and poultry. Take the food out of the freezer and thaw it in the fridge. Place it on a plate or in a pan to catch any juices that may leak. Normally, it will be ready to use the next day.

*In Cold Water:* For faster thawing, put the frozen package in a watertight plastic bag and submerge it in cold water; change the water every 30 minutes. The cold water slows bacteria that might be growing in the thawed portions of the meat while the inner areas are still thawing. Once thawed, cook it immediately.

*In the Microwave:* Follow instructions from the oven's manufacturer or owner's manual. Cook immediately after thawing in the microwave.

### Refreezing Tips:

- Meat and poultry that have been fully defrosted in the refrigerator may be refrozen before or after cooking.
- If thawed in cold water or in the microwave, always fully cook before refreezing.

(Also see *Storing Food: Frozen Food* on page 12.)

## cooking food safely

*Cooking food to a safe temperature is the best way to ensure safety. That's because when food reaches a **safe minimum internal temperature**, bacteria that may be lurking are destroyed. Sound complicated? It's not. It's as easy as using a **food thermometer**.*

### About Food Thermometers

Food safety experts agree: food is safe to eat when it is cooked or reheated to a high enough temperature to kill the harmful bacteria that cause foodborne illness.

The only accurate way to know if food is cooked safely is to measure the internal temperature of cooked meat, poultry, and egg products with a food thermometer. You can't tell by looking — use a food thermometer to be sure. Color and texture are not reliable indicators of safely cooked food.



### How to Use a Food Thermometer

1. Place the food thermometer in the **thickest part of the food**.
  - Make sure it's not touching bone, fat, or gristle.
  - For whole poultry, insert the thermometer into the innermost part of the thigh and wing and the thickest part of the breast.
  - For combination dishes, place the thermometer in the center or thickest portion of the food. Egg dishes and dishes containing ground meat or poultry should be checked in several places.
2. Wait the amount of time recommended for your particular type of thermometer (See *Food Thermometers and Temperature Indicators* on page 18).
3. Compare your thermometer reading to the Safe Minimum Internal Temperature Chart (see page 19) to determine if your food has reached at least a safe internal temperature.
4. Clean your food thermometer with hot, soapy water before and after each use!

### Tasting Tips

- Don't taste food while it's cooking. To ensure safety, food should not be tasted until it reaches a safe minimum internal temperature.
- No double dipping. Use a clean utensil each time you taste food; otherwise, you may contaminate the batch.

## Food Thermometers and Temperature Indicators



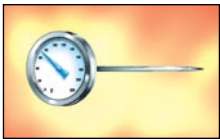
### Dial Oven-Safe (Bimetal)

- Reads in 1 to 2 minutes
- Place 2 to 2½" deep in thickest part of food
- Best used in roasts, whole poultry, casseroles, and soups



### Digital Instant-Read (Thermistor)

- Reads in 10 seconds
- Place at least ½" deep
- Use in thin *and* thick food



### Dial Instant-Read (Bimetal)

- Reads in 15 to 20 seconds
- Place 2 to 2½" deep in thickest part of food



### Disposable Temperature Indicators (Single-use)

- Reads in 5 to 10 seconds
- Place approximately ½" deep (follow manufacturer's directions)



### Pop-Up

- Commonly used in turkeys and roasting chickens
- Pops up when food reaches final temperature for safety and doneness
- Recommendation: Use an additional food thermometer to check temperature in other parts of the food.

## Done Versus Safe: What You Need to Know

Webster's Dictionary defines "doneness" as *the condition of being cooked to the desired degree*. This includes subjective qualities, like a food's appearance, texture, and optimum flavor.

But whether a food is cooked to a "safe" degree is another story. The standard that ensures "safety" is not subjective at all. It's a simple matter of cooking food until the internal temperature reaches the level that ensures destruction of any potential pathogens, as measured with a food thermometer.

Visual signs of doneness should only be taken into consideration *after* the food has reached a safe temperature. And if you're thinking about leaving the food thermometer in the drawer, consider this: According to USDA research, **1 out of every 4** hamburgers turns brown *before* it reaches a safe internal temperature!



## Safe Minimum Internal Temperature Chart

Food	°F
<b>Ground Meat &amp; Meat Mixtures</b>	
Beef, Pork, Veal, Lamb	160
Turkey, Chicken	165
<b>Fresh Beef, Veal, Lamb</b>	
Steaks, roasts, chops	145
<b>Poultry</b>	
Chicken & Turkey, whole	165
Poultry breasts, roasts	165
Poultry thighs, legs, wings	165
Duck & Goose	165
Stuffing (cooked alone or in bird)	165
<b>Fresh Pork</b>	160
<b>Ham</b>	
Fresh (raw)	160
Precooked (to reheat)	140
<b>Eggs &amp; Egg Dishes</b>	
Eggs: Cook until yolk and white are firm	
Egg dishes	160
<b>Leftovers &amp; Casseroles</b>	165

For oven roasting guidelines, see the roasting charts on pages 27 (turkey) and 22 (meats and other poultry).

## Avoid the "Danger Zone"—Keep Hot Food Hot After Cooking

The possibility of bacterial growth is greater when food cools because the drop in temperature allows bacteria to thrive. There are two ways to keep cooked food from entering the "Danger Zone":

- **Don't Interrupt Cooking:** Interrupted cooking allows partially cooked food to cool down . . . and may encourage bacterial growth before cooking is complete. To avoid this, make sure to cook food all the way through the first time.
- **Keep Food at Holding Temperatures:** If you aren't going to serve food right away, it's important to keep it at 140 °F or above. Once food is safely cooked on the stovetop, in the oven, or in a microwave oven, keep food hot by using a heat source. Place food in chafing dishes, on warming trays, or in slow cookers. Check the temperature frequently to make sure food stays at or above 140 °F.

(Also see *Focus On: The "Danger Zone"* on page 9 and *Special Guidelines for Certain Food* beginning on page 20.)



## special guidelines for certain food

In addition to the basic cooking guidelines (see *Cooking Food Safely* beginning on page 17) — there are some **food-specific tips** that can help you take special care with your culinary favorites.

### Ground Meat and Poultry

Ground meat and poultry receive more handling than any other cut of meat or poultry. This means that hamburger has the opportunity for the introduction of more foodborne bacteria, too. Be diligent with general safe food handling guidelines, and keep these **buying tips** in mind:

- When you purchase ground beef, it should be **cherry-red** (or purple-red, if in vacuum packaging).
- **Return** any package that has an unusual odor when you open it.

### Ham

Even though it is *cured* — for example, smoked, aged, or dried — ham can still contain foodborne bacteria. Follow these tips to keep it safe:

#### Storing:

- **Refrigerator:**
  - Store sliced or whole ham in the coldest part of the refrigerator.
  - Use slices within 3 to 4 days; whole ham within a week.
  - Most canned hams should be refrigerated. Be sure to check the label!
  - Observe “Use-By” dates on hams sealed at the plant; use store-wrapped cooked ham portions within 3 to 5 days.
- **Freezer:** Ham tends to lose flavor and texture when frozen. If you do need to freeze it, wrap it tightly in freezer paper or plastic freezer bags and use it within 1 or 2 months.

#### Cooking:

- First and foremost, read the label.
- “Fully cooked” ham can be served “as is” — hot or cold. If reheating, cook to 140 °F.
  - Fresh ham (labeled “Cook before eating”) and other fresh pork must be cooked to 160 °F.



### Roasts

Sit-down dinners and special occasions aren't only about turkey! There are many other types of roasts that become the stars of the dinner table. Use these guidelines to “make the most of your roast” . . . safely.

#### Cooking Your Roast

*Roasting* is the recommended method for cooking tender meats.

To roast, meat is placed on a rack in a shallow, uncovered pan and is cooked by the indirect, dry heat of an oven. To keep the meat tender and minimize shrinkage due to the evaporation of moisture, an oven temperature of 325 °F should be used.

- Boned and rolled meat require more cooking time per pound than bone-in cuts because it takes longer for the heat to penetrate through the solid meat. Rolled, tenderized, or scored cuts of meat should be cooked to 160 °F.
- USDA does not recommend cooking meat and poultry at oven temperatures lower than 325 °F. This can cause food to remain in the “Danger Zone” (temperatures from 40 to 140 °F) too long, allowing bacteria to multiply rapidly.

(For Turkey and Other Poultry, see page 24.)

#### Watch Temperatures Closely

Fat content (or a lack of it) affect the cooking times of a variety of meats — so keep a close eye on your roast to avoid overcooking, and use a food thermometer. And remember — regardless of the size of the roast, it still must be cooked to a safe internal temperature.



## Roasting Chart

Meat	Oven Temperature (°F)	Timing (Approximate)	Safe Minimum Internal Temperature (°F)
<b>BEEF, FRESH</b>			
rib roast, bone in 4 to 6 pounds	325	23 to 25 minutes per lb.	145
rib roast, boneless, rolled 4 to 6 pounds	325	28 to 33 minutes per lb.	145
round or rump roast 2 ½ to 4 pounds	325	30 to 35 minutes per lb.	145
tenderloin, whole 4 to 6 pounds	425	45 to 60 minutes total	145
<b>LAMB, FRESH</b>			
leg, bone in 5 to 7 pounds 7 to 9 pounds	325 325	20 to 25 minutes per lb. 15 to 20 minutes per lb.	145 145
leg, boneless, rolled 4 to 7 pounds	325	25 to 30 minutes per lb.	145
<b>VEAL, FRESH</b>			
shoulder roast, boneless 3 to 5 pounds	325	35 to 40 minutes per lb.	145
leg rump or round roast, boneless 3 to 5 pounds	325	35 to 40 minutes per lb.	145

For reasons of personal preference, consumers may choose to cook the above meats to higher temperatures.

### CHICKEN, FRESH (Turkey Cooking Charts can be found on page 27.)

whole roasting hen 5 to 7 pounds	350	2 to 2 ¼ hours	165
breast, halves, bone-in 6 to 8 ounces	350	30 to 40 minutes	165
breast, halves, boneless 4 ounces	350	20 to 30 minutes	165
legs or thighs 4 to 8 ounces	350	40 to 50 minutes	165
<b>PORK, FRESH (Tip: When cooked to safe temperatures, fresh pork may still be pink inside – but it will be safe.)</b>			
loin roast, bone-in or boneless 2 to 5 pounds	325	20 to 30 minutes per lb.	160
crown roast 4 to 6 pounds	325	20 to 30 minutes per lb.	160
tenderloin ½ to 1 ½ pounds	425	20 to 30 minutes total	160
<b>HAM, SMOKED</b>			
fresh, cook-before-eating, bone-in whole, 10 to 14 pounds half, 5 to 7 pounds	325 325	18 to 20 minutes per lb. 22 to 25 minutes per lb.	160 160
fully cooked, bone-in whole, 10 to 14 pounds half, 5 to 7 pounds	325 325	15 to 18 minutes per lb. 18 to 24 minutes per lb.	140 140
fully cooked, spiral cut, whole or half 7 to 9 pounds	325	10 to 18 minutes per lb.	140
country, dried, whole or half	Soak 4 to 12 hours in refrigerator. Cover with water, then boil 20 to 25 minutes per pound. Drain, glaze, and brown at 400 °F for 15 minutes.		

For reasons of personal preference, consumers may choose to cook the above meats and poultry to higher temperatures.

## Turkey and Other Poultry

No doubt about it, millions of Americans view holiday time as “turkey time.” Of the millions of turkeys produced every year, 30 percent are served at Thanksgiving and Christmas. But no matter when you are preparing and serving your turkey — gobble up these important facts first!

### Choosing Your Turkey

When selecting your turkey, allow **1 pound of turkey per person** for fresh or frozen; 1¼ pound per person for frozen pre-stuffed.

- **Frozen:** Make sure you have adequate space in your freezer.
- **Fresh:** Purchase it 1 to 2 days before cooking. Refrigerate on a tray or in a pan to catch any juices that may leak.
- **Frozen Pre-stuffed:** Check packaging for the USDA or State mark of inspection, which ensures that it has been processed under controlled conditions. Follow package directions carefully for storage and cooking. **DO NOT THAW** before cooking. Cook from the frozen state.
- **Safety Alert:** Do not buy a fresh pre-stuffed turkey, as bacteria spreads easily from the bird to the stuffing.

### Thawing Your Turkey

For basic food thawing recommendations, see the *Thawing* section on page 16.

In addition, keep these turkey-specific timelines and tips in mind:

- **In the Microwave:** Check the manufacturer’s instructions for the size turkey that will fit into your oven, the minutes per pound, and the power level to use for thawing. Remove any outside wrapping and place on a microwave-safe dish to catch any juices that may drip. Cook immediately after thawing.
- **For Frozen Turkeys:** Forget to thaw? It’s safe to cook a turkey from the frozen state. Keep in mind that cooking will take **at least 50 percent longer** than with a fully thawed turkey.
- **About refreezing:** Decide not to cook? A turkey that has been safely thawed in the refrigerator can be refrozen safely.
- After thawing, poultry may be left in the refrigerator for up to 2 days before cooking.

### Turkey Thawing Chart: Approximate Timelines

Turkey Size	In the Refrigerator (Approximately 24 hours for every 4 to 5 lbs.)	In Cold Water (Approximately 30 minutes per lb.)
4 to 12 pounds	1 to 3 days	2 to 6 hours
12 to 16 pounds	3 to 4 days	6 to 8 hours
16 to 20 pounds	4 to 5 days	8 to 10 hours
20 to 24 pounds	5 to 6 days	10 to 12 hours

### Stuffing Your Turkey

- For more even cooking, cook your stuffing outside the bird in a casserole dish. Use a food thermometer to check the internal temperature of the stuffing. The center should reach 165 °F.
- If you choose to stuff your turkey, keep wet and dry ingredients separate and combine just before stuffing.
  - If preparing ahead of time, chill all of the wet ingredients (butter/margarine, cooked celery and onions, broth, etc.).
  - Mix wet and dry ingredients just before filling the turkey cavities. The stuffing should be moist, not dry, since heat destroys bacteria more rapidly in a moist environment. Fill the cavities loosely.
  - **Cook the turkey immediately.** Use a food thermometer to make sure the center of the stuffing reaches 165 °F.



### Stuffing Other Poultry

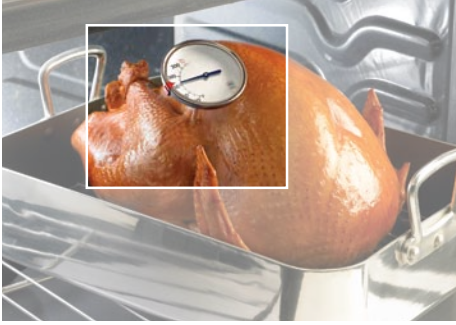
Just as with turkey, it’s important to take special precautions with other stuffed poultry to ensure they reach a safe minimum internal temperature. Bacteria grow particularly well in starchy or “bready” foods. In raw poultry, it can get into the stuffing, which in turn may not heat to safe temperatures when deep inside the bird. See *Stuffing Your Turkey*.

#### Got Giblets?

- Remember to remove the giblets from the turkey cavities after thawing. Cook them separately.

### Prevent Cross-Contamination!

Always wash hands with soap and warm water before and after contact with raw poultry or its juices. Wash cutting boards, dishes, utensils, the sink, and countertops with hot, soapy water.



## Roasting Your Turkey

- Set your oven temperature no lower than 325 °F. Place your turkey or turkey breast on a rack in a shallow roasting pan, and use the *Turkey Roasting Chart* on page 27 as a guide.
- If you're using an oven roasting bag, make sure to follow the manufacturer's instructions!
- Cook to a safe minimum internal temperature of 165 °F throughout the bird.
- Check the internal temperature in the innermost part of the thigh and wing *and* the thickest part of the breast.
- For reasons of personal preference, you may choose to cook to higher temperatures.
- If your turkey has a "pop-up" temperature indicator, also check the internal temperature of the whole poultry in the innermost part of the thigh and wing and the thickest part of the breast to make sure it has reached at least 165 °F.
- Let the turkey stand for 20 minutes before carving to allow juices to set. The turkey will carve more easily.

### *A Note About Other Cooking Methods*

Turkey isn't just about roasting anymore. There are several other ways to prepare the bird — use the chart at the right for at-a-glance guidelines.

## Leftover Turkey

### Storing Leftover Turkey

Turkey connoisseurs agree: the leftovers are the best part! Here's how to store them safely:

- Cut the turkey into small pieces. Refrigerate stuffing, turkey, and gravy separately in shallow containers within 2 hours of cooking (or 1 hour in temperatures above 90 °F). If left out longer, discard.
- Use leftover turkey, stuffing, and gravy within 3 to 4 days; or freeze these foods. Use frozen leftovers within 2 to 6 months for best quality.

### Reheating Leftover Turkey

If you choose not to go the "cold turkey" route, use these guidelines for reheating.

- **In the Oven**
  - To keep the turkey moist, add a little broth or water and cover.
  - Set the oven temperature no lower than 325 °F. Reheat to an internal temperature of 165 °F — use a food thermometer to check.
- **In the Microwave**
  - Cover and rotate the turkey for even heating. Allow standing time.
  - Check the internal temperature with a food thermometer to make sure it reaches 165 °F.

## Turkey Roasting Chart: Approximate Times

Fresh or Thawed Turkey • Set oven at 325 °F • Cook to 165 °F		
Size of Turkey	Unstuffed	Stuffed
4 to 6 pounds (breast)	1½ to 2¼ hours	Not usually applicable
6 to 8 pounds (breast)	2¼ to 3¼ hours	2½ to 3½ hours
8 to 12 pounds	2¾ to 3 hours	3 to 3½ hours
12 to 14 pounds	3 to 3¾ hours	3½ to 4 hours
14 to 18 pounds	3¾ to 4¼ hours	4 to 4¼ hours
18 to 20 pounds	4¼ to 4½ hours	4¼ to 4¾ hours
20 to 24 pounds	4½ to 5 hours	4¾ to 5¼ hours

**Cooking a Frozen Turkey:** The cooking time will take at least 50% longer than recommended for a fully thawed turkey (see above chart).

*For chicken roasting instructions, see chart on page 23.*

## Alternate Ways to Cook Turkey

*Note: Always make sure whole turkeys reach a safe minimum internal temperature of 165 °F as measured in the innermost part of the thigh and wing and the thickest part of the breast.*

Method	Size	Estimated Cooking Time	Notes
<b>Electric Roaster Oven</b>	8 to 24 lbs.	Generally same times as for oven roasting (see above).	Minimum oven temperature 325 °F. Check appliance manual.
<b>Grilling: Covered Charcoal Grill or Covered Gas Grill</b>	8 to 16 lbs.	15 to 18 minutes per pound. DO NOT STUFF.	Air in the grill must maintain 225 to 300 °F; use drip pan.
<b>Smoking</b>	8 to 12 lbs.	20 to 30 minutes per pound. DO NOT STUFF.	Air in the smoker must maintain 225 to 300 °F; use drip pan with liquid.
<b>Deep Fat Frying</b>	8 to 12 lbs.	3 to 5 minutes per pound. DO NOT STUFF.	Oil must maintain 350 °F. Follow manufacturer's instructions.
<b>Microwaving</b>	8 to 14 lbs.	9 to 10 minutes per pound on medium (50%) power. DO NOT STUFF.	Use oven cooking bag. Rotate during cooking.

## Eggs and Egg-Rich Food

Eggs can be part of a healthy diet. However, they are perishable just like raw meat, poultry, and seafood — and just like these foods, they must be properly refrigerated in the store and at home and cooked for safety. So get cracking!

### Storing:

- **Refrigerate Eggs.** Take eggs straight home and store them in their original carton in the refrigerator. Follow the 2-Hour Rule: Never allow eggs to be unrefrigerated for more than 2 hours.
  - Place them in the coldest part of the refrigerator — not in the door, where they'd be exposed to warmer air every time the door is opened.
  - If any eggs cracked on the way home from the store, break them into a clean container, cover tightly, refrigerate, and use within 2 days.
- **Keep Easter/Decorated Eggs Refrigerated, Too.** Even with egg hunts, the 2-Hour Rule still applies — make sure your “hide-and-seek” activities occur within 2 hours (1 hour when the temperature is above 90 °F), and then re-refrigerate the eggs.
- **Freeze Beaten Eggs for Longer Storage.** Eggs should not be frozen in their shells. To freeze whole eggs, beat yolks and whites together. Egg whites can also be frozen by themselves.

### Cooking:

- **Cook Thoroughly.** To ensure safety, eggs must be cooked until **yolks are firm**. Scrambled eggs should *not* be runny.
  - Raw eggs and other ingredients, combined according to recipe directions, should be cooked immediately or refrigerated and cooked within 24 hours.
  - Casseroles and other dishes containing eggs should be cooked to 160 °F as measured with a food thermometer.
  - Serve cooked eggs and dishes containing eggs immediately after cooking, or place in shallow containers for quick cooling and refrigerate at once for later use. Use within 3 to 4 days.
  - If eggs crack during hard cooking, they are safe.
- **Never Eat Raw Eggs.** This includes “health-food” milk shakes with raw eggs, Caesar salad, Hollandaise sauce, and any other food, like homemade mayonnaise, ice cream, or eggnog, made from recipes in which the raw egg ingredients are not cooked.
- All egg products (such as liquid eggs) distributed for consumption are pasteurized and may be used in products that will not be cooked. However, egg products are best used in a cooked product, especially if serving high-risk persons (pregnant women, newborns, young children, older adults, and people with weakened immune systems).



## Egg Storage Chart

Product	Refrigerator	Freezer
Raw eggs in shell	3 to 5 weeks	Do not freeze. Instead, beat yolks and whites together; then freeze.
Raw egg whites	2 to 4 days	12 months
Raw egg yolks	2 to 4 days	Yolks do not freeze well.
Raw egg accidentally frozen in shell	Use immediately after thawing.	Keep frozen; then refrigerate to thaw.
Hard-cooked eggs	1 week	Do not freeze.
Egg substitutes, liquid	<i>Unopened</i>	10 days
	<i>Opened</i>	3 days
Egg substitutes, frozen	<i>Unopened</i>	After thawing, 7 days, or refer to “Use-By” date
	<i>Opened</i>	After thawing, 3 days, or refer to “Use-By” date
Casseroles with eggs	3 to 4 days	After baking, 2 to 3 months.
Eggnog	<i>Commercial</i>	3 to 5 days
	<i>Homemade</i>	2 to 4 days
Pies	Pumpkin or pecan	3 to 4 days
	Custard and chiffon	3 to 4 days
Quiche with filling	3 to 4 days	After baking, 1 to 2 months.

## Egg Recipes: Playing it Safe

- ✓ **Egg mixtures** are safe if they reach **160 °F**.
- ✓ **Homemade ice cream and eggnog** are safe if made from a cooked **egg-milk mixture**. Heat it gently and use a food thermometer to ensure that it reaches **160 °F**.
- ✓ **Dry meringue shells, divinity candy, and 7-minute frosting** are safe — these are made by combining hot sugar syrup with beaten egg whites. However, avoid icing recipes using uncooked eggs or egg whites.
- ✓ **Meringue-topped pies** should be safe if baked at **350 °F** for about 15 minutes. But avoid chiffon pies and fruit whips made with raw, beaten egg whites — instead, substitute pasteurized dried egg whites, whipped cream, or a whipped topping.
- ✓ **Adapting Recipes:** If your recipe calls for uncooked eggs, make it safe by heating the eggs in one of the recipe's other liquid ingredients over low heat, stirring constantly, until the mixture reaches **160 °F**. Then, combine it with the other ingredients and complete the recipe.
- ✓ **Use a Food Thermometer:** To determine safety in egg dishes such as quiche and casseroles, the center of the mixture should reach 160 °F when measured with a food thermometer.



## Hot Dogs and Luncheon Meat

Hot dogs and luncheon meat are processed to last longer than other meat, but they can still spoil — or harbor foodborne bacteria. Here are tips for keeping them safe.

### Storing:

- Keep **unopened hot dogs and prepackaged luncheon meats** in the refrigerator in their original vacuum-sealed package for up to 2 weeks.
  - Once opened, rewrap well and use luncheon meats within 3 to 5 days and hot dogs within 1 week.
- **You can freeze** hot dogs and luncheon meat, but there may be flavor and texture loss after 1 to 2 months.

### *A Note for Those Most “At Risk”*

Those at increased risk of foodborne illness should **reheat hot dogs and luncheon meat until steaming hot before eating, due to the threat of listeriosis.**

## Leftovers

Leftovers are a staple in the kitchen. But they also need special care to ensure safe storage and reheating. These guidelines will help ensure their safety the “second time around.”

### Storing:

- **Hot food** can be placed directly in the refrigerator, or it can be rapidly chilled in an ice or cold water bath before refrigerating. Cover food to retain moisture and prevent it from picking up odors from other food in the fridge, and use shallow containers for rapid cooling.
- Divide a **large pot of food**, like soup or stew, into shallow containers before refrigerating.
- A **large cut of cooked meat or whole poultry** should be divided into smaller pieces and wrapped separately or placed in covered, shallow containers before refrigerating.

- Discard perishable food if it has been left at room temperature for more than 2 hours (1 hour if it's above 90 °F). This includes leftovers that were **mistakenly left out** overnight.

### Reheating:

- Heat leftovers to **165 °F** — use a food thermometer to check!
- Bring gravies and sauces to a **rolling boil** before serving.
- **Cover leftovers** to reheat. This retains moisture and ensures that food will heat all the way through.
- **In the microwave**, use a lid or vented plastic, and rotate food for even heating. Beware of “cold spots”; use a food thermometer to check the temperature in several places.

### *“Take-Home” Leftover Alert:*

Doggie Bags are leftovers, too! Follow the same rules for storing and reheating.



## specific preparation and cooking methods

*“Making dinner” can go far beyond simply putting a roast in the oven. These basic guidelines will keep your food safe as you use a variety of cooking and preparation techniques.*

### Marinating

Marinades can enhance the flavor of meat, poultry, or seafood. Follow these tips for marinating safely.

#### • **Marinate in the Refrigerator.**

Marinating at refrigeration temperatures is the only option for keeping bacteria at bay. Meat and poultry can be marinated for several hours or days to tenderize or add flavor.

- **Don’t “Cross-Contaminate.”** Sauce used to marinate raw meat, poultry, or seafood should *never* be used on cooked foods unless it is boiled just before using.

— Sauce used to marinate contains raw juices — which can, in turn, contain dangerous bacteria.

— If some of the marinade is to be used as a sauce on the cooked food, reserve a portion of the marinade before putting raw meat or poultry in it.

- **Don’t Use Metal.** Marinate in glass or plastic. The process may take several hours, so you need a tray or bowl that won’t be affected by acid.



### Microwave Cooking

On a hungry night after a long day, a microwave oven can be a cook’s best friend. While saving time in food preparation, it’s still critical to make sure food reaches a safe minimum internal temperature throughout.

- **Prep and Cover:** Arrange food items evenly in a covered dish and add some liquid if needed. Cover the dish with a lid or plastic wrap; loosen or vent the lid or wrap to let steam escape. The moist heat that is created will help destroy harmful bacteria and ensure uniform cooking. Cooking bags also provide safe, even cooking.

- **Avoid Cold Spots:** While microwaving is quick, it doesn’t always cook food evenly. Stir or rotate food midway through the microwaving time to eliminate cold spots and for more even cooking.

- **Defrost in the Microwave Only if Cooking Immediately.** Cover foods with a lid or a microwave-safe plastic wrap to hold in moisture and provide safe, even heating.

- **Use Partial Cooking With Care:** Partial cooking may be done in the microwave *only* if the food is to finish cooking immediately, either on the stovetop, grill, or in a conventional oven.

*more →*



- **Observe Standing Times:** These are stated in recipes, and they are important for ensuring that the cooking process is completed.
  - Standing times allow internal cooking to continue after the food is cooked in the microwave. They are necessary in order to kill possible foodborne bacteria that may be present in meat and poultry.
  - Try covering food with foil during standing time to retain heat (but don't use foil in the microwave!).
- **Use a food thermometer.** Check the temperature in several places to ensure a safe minimum internal temperature has been reached. (For safe temperature guidelines, see the *Safe Minimum Internal Temperature Chart* on page 19.)
- **No, You Can't "Can"!** Do not use your microwave for home canning. As liquid inside the sealed glass jar heats and expands, pressure can build up, causing the jar to explode.

If you have any questions about proper microwave use, check the **manufacturer's instructions**.



## Grilling and Barbecuing

Grilling and summer sometimes seem synonymous — even though many cooks use their grills year round, whatever the weather. Whenever or wherever you're grilling, keep these hot tips in mind.

(Traveling to the cookout? Don't miss *Transporting Food* beginning on page 38.)

### Grilling Guidelines:

- **Remember your food thermometer!** Meat and poultry cooked on a grill can brown quickly on the *outside* — use a food thermometer to be sure the food has reached a safe minimum *internal* temperature.

(See *Safe Minimum Internal Temperature Chart* on page 19, and *Food Thermometers and Temperature Indicators* on page 18.)

- **Consider partial precooking.** Partial cooking in the microwave, oven, or on the stove is a good way to reduce grilling time. Just make sure that the food goes **immediately** onto the preheated grill to complete cooking. **Never** partially grill meat or poultry and finish cooking it later.
- **Use a clean platter for cooked food.** Don't put the grilled food on the same platter that held raw meat or poultry because any harmful bacteria present in the raw juices could contaminate safely cooked food.

(See also: *Cross-Contamination* on page 8, *Marinating* on page 31, and *Serving Food Safely: General Guidelines* on page 35.)



## Smoking

Smoking is cooking food *indirectly* in the presence of a fire. Smoking is done much more slowly than grilling, so *less tender meats* benefit from this method — and result in a natural "smoke" flavoring permeating the meat. As with any method of cooking, follow the basic steps for safety before smoking:

- **Preparation:** Defrost meat entirely — and safely — before smoking. Marinate meat in the refrigerator. (See *Thawing* on page 16 and *Marinating* on page 31.)
- **Partial Cooking:** If you decide to cook food partially in a microwave oven or on the stove to reduce smoking time — make sure that the food goes *immediately* from the microwave or stove to the hot smoker.

- **Two Thermometers:** To smoke meat and poultry safely, you'll need **two types of thermometers**. Cooking time depends on many factors, and since it can take anywhere from up to 8 hours or longer to smoke meat or poultry, the *only* way to monitor the safety and doneness is to use the two thermometers.

- *Smoker Thermometer:* These are often built in. The smoker thermometer enables you to ensure that the **temperature in the smoker** stays between 225 and 300 °F for safety.

- *Food Thermometer:* Once **food** is in the smoker, cook until it reaches a safe internal minimum temperature as determined with a food thermometer.

(See *Safe Minimum Internal Temperature Chart* on page 19, and *Food Thermometers and Temperature Indicators* on page 18.)

- **Prompt chilling:** If you aren't taking your smoked food straight to the dinner table, refrigerate meat and poultry within 2 hours after cooking is complete (1 hour when the temperature is above 90 °F). Cut the meat or poultry into smaller portions or slices, place it in shallow containers, cover, and refrigerate. Use it within 4 days, or freeze for later use.



## Slow Cooking

In today's multitasking world, there's nothing like having dinner cooked for you while you go about your day. That's the beauty of a slow cooker. As you take advantage of this time-saving wonder, here are tips for keeping your "crock o' dinner" safe.

- **How Slow Cookers Work:** As the name implies, the countertop "slow cooker" cooks foods slowly and at a low temperature—generally between 170 and 280 °F.
  - The direct heat from the pot, lengthy cooking time, and steam created within the tightly covered container work in combination to destroy bacteria and make the slow cooker a **safe process** for cooking foods.
  - While food is cooking and once it's done, food will stay safe as long as the cooker is operating.
- **Preparation:** Since the slow cooker may take several hours to reach a safe bacteria-killing temperature, keep perishable ingredients refrigerated right up until preparation time. This keeps bacteria from getting a "head start."
  - Always defrost meat or poultry *before* putting it into a slow cooker.

- If you cut up meat and vegetables in advance, store them separately in the refrigerator.
- Keep the lid in place, removing only to stir the food or check for doneness.

- **Choose Appropriate Recipes:**

- Prepare foods with a high moisture content such as chili, soup, stew, or spaghetti sauce.
- If using a commercially frozen slow-cooker meal, prepare according to manufacturer's instructions.
- Fill the cooker to between half full and two-thirds full.

- **Slow-Cooker Leftovers:** Store leftovers in shallow, covered containers and refrigerate within 2 hours after cooking is finished. Reheating leftovers in a slow cooker is **not recommended**. However, cooked food can be brought to steaming on the stove top or in a microwave oven and then put into a preheated slow cooker to keep hot for serving.

- **If the Power Goes Out:**

- If you are not at home and the power goes out, throw away the food even if it looks done.
- If you *are* at home, finish cooking the ingredients immediately by some other means: on a gas stove, on the outdoor grill, or at a house where the power is on. If the food was completely cooked before the power went out, the food should remain safe up to 2 hours in the cooker with the power off.

## ■ ■ ■ serving food safely

*"Dinner is served!" More than ever, this happens in a wide variety of places, both indoors and out. But no matter where your meal is taking place . . . safety must still be the first item on the menu.*

### General Guidelines: Whatever or Wherever You're Serving!

- **Keep Hot Food Hot & Cold Food Cold.** Whether you are in your kitchen or enjoying the great outdoors, there are some food safety principles that remain constant. The first is "Keep hot food hot and cold food cold" to keep foods out of the "Danger Zone."

(See *Focus on: The "Danger Zone"* on page 9.)

- **Keep Everything Clean.** It's a fact that bacteria from raw meat and poultry products can easily spread to other foods by hands, utensils, or by juices dripping from packages.

- When **transporting raw meat or poultry**, double-wrap or place the packages in plastic bags to prevent juices from the raw product from dripping on other foods.
- Always **wash your hands** before and after handling food, and **don't use the same platter and utensils** for raw and cooked meat and poultry.
- **Soap and water are essential** to cleanliness, so if you are going somewhere that will not have running water, bring water with you or have disposable wipes on hand.

(See *Cross-Contamination* on page 8.)

- **Remember the 2-Hour Rule:** Perishable food should never be left in the "Danger Zone" for more than 2 hours. This includes both hot food and cold food. If it's been more than 2 hours (or 1 hour in temperatures above 90 °F) — discard the food.
- **Be Cool:** If you are traveling with cold food, bring a cooler with a cold source. It is difficult to keep food hot without a heat source when traveling, so it's best to cook food before leaving home and refrigerate and transport cold.

(See *Transporting Food* on page 38.)



## Buffets . . . Cooking for Groups

Food sitting out for extended periods of time is a recipe for potential disaster. In addition to the basics for temperature and cleanliness, follow these guidelines when cooking for and/or serving groups:

- **Safe Advance Prep:** If you're getting ready ahead of time, be sure to cook food to a safe minimum internal temperature. (See *Safe Minimum Internal Temperature Chart* on page 19.) Divide cooked food into shallow containers to store in the refrigerator or freezer until serving. This encourages rapid, even cooling.
  - Reheat hot food to 165 °F and maintain at a safe temperature of 140 °F or above.
  - Don't risk cross-contamination: place food on clean platters. Arrange on several small platters rather than on one large platter, and keep all platters cold in the refrigerator until serving time.



## Remember the "Temperature Rules":

- Keep **hot food hot** (140 °F or above) with chafing dishes, slow cookers, and warming trays. **Cold food** should be held at 40 °F or below, so keep food cold by nesting dishes in beds of ice. Or use a series of small serving trays and replace them often.
  - *Replace empty platters* — don't *refill* them. Discard food that has been sitting out and may have been handled by many people.
- **2-Hour Rule:** As always, perishable food should not be left out for more than 2 hours at room temperature (1 hour when the temperature is above 90 °F). Be sure to keep this in mind as the party rocks on — and when in doubt, throw it out.  
(Also see *Transporting Food* beginning on page 38.)

## Take-Out and Delivered Food

With take-out or delivered food, the cook gets to take a shortcut with meal preparation — but not with food safety. Basic guidelines still apply.

### Hot Take-Out or Delivered Food

- **Hot Food Hot . . .** Hot food must be kept out of the "Danger Zone" (see page 9) — and that means that just keeping it "warm" is not enough.
  - If you aren't going to eat it right away, **use a food thermometer** to monitor the internal temperature of the food — and don't let it drop below 140 °F. A preheated oven, chafing dishes, preheated warming trays, or slow cookers may be used to keep food hot.
  - If you plan to eat at a later time, take-out or delivered food should be **divided into smaller portions or pieces**, placed in shallow containers, and refrigerated. Reheat to 165 °F as you would any leftover. (See *Safe Minimum Internal Temperature Chart* on page 19.)



## Cold/Refrigerated Take-Out or Delivered Food

- . . . **And Cold Food Cold.** Cold food should be kept at 40 °F or below. Refrigerate perishable food as soon as possible, always within 2 hours after purchase or delivery.
  - If the food is in air temperatures above 90 °F, refrigerate within 1 hour.
  - When take-out or delivered food is purchased cold for an outdoor event—like a picnic, sporting event, or outdoor buffet—a cooler with ice is a practical alternative to a refrigerator. The cooler should be packed with plenty of ice or frozen gel packs. Keep the cooler in the shade when possible.  
(See next page: *Transporting Food*.)



# transporting food: coolers, picnics, and bag lunches

When it comes to food, you can take it with you — but you need to do it safely, too. Whether you're tailgating, picnicking, or just packing your lunch, start with a clean cooler or lunch pack and begin by preparing food using standard "clean" practices. (See *Food Preparation* beginning on page 15.) In addition, follow these special guidelines to keep your packed food safe . . . wherever your travels take you.

## Bag Lunches

Bag lunches aren't just for school kids! No matter where you're carrying to, pack only the amount of perishable food that can be eaten at lunch to avoid worrying about the storage or safety of leftovers.

### Cold Food:

- Prepare cooked food, such as turkey, ham, chicken, and vegetable or pasta salad, ahead of time to allow for thorough chilling in the refrigerator. Try preparing it the night before!
- Freezing sandwiches helps them stay cold — but for best quality, don't freeze sandwiches containing mayonnaise, lettuce, or tomatoes; add these ingredients later.
- In your lunch bag: once the cold source thaws, perishable food is no longer safe. Discard it.
- Types of Lunchboxes: Insulated, soft-sided lunchboxes or bags are best for keeping food cold, but metal or plastic lunchboxes and paper bags can also be used — just remember that an ice source (such as a gel pack or frozen juice box) should be packed with perishable food in any type of lunch bag or box. If using paper lunch bags, create layers by double-bagging to help insulate the food.

### Hot Food:

- Use an insulated container to keep food like soup, chili, and stew hot. Fill the container with boiling water, let it stand for a few minutes, empty the water out, and then put in piping hot food. Keep the insulated container closed until lunchtime to keep the food hot. For safety, it needs to stay at 140 °F or above.
- If you're reheating lunch in a microwave onsite, cover food to hold in moisture and promote even heating. Reheat leftovers to at least 165 °F; food should be steaming hot. Cook frozen convenience meals according to package instructions.



## Coolers

The cooler is the key to keeping cold food out of the "Danger Zone"! Use an insulated cooler with sufficient ice or ice packs to keep the food at 40 °F or below.

### Packing:

- As you prepare, **divide large amounts of food** into shallow containers for fast chilling and easier use. Keep cooked food refrigerated until it's time to leave home.
- **Pack food right from the refrigerator** into the cooler immediately before leaving home.
  - For your cold source: use **frozen gel packs or ice**. A block of ice keeps longer than ice cubes. Or, in advance, freeze clean, empty milk cartons filled with water to make **blocks of ice**. Add the ice first, then the food.
- Pack smart! **Pack usable quantities in reverse order:**
  - The *first* foods packed should be the *last* foods to be used. (There is one exception: **Pack raw meat or poultry below ready-to-eat foods** to prevent raw meat or poultry juices from dripping on the other foods.)
  - Take foods in the smallest quantity needed (e.g., a small jar of mayonnaise).
- Consider **packing drinks in a separate cooler** so the food cooler is not opened frequently.

- It is important to pack an **appliance thermometer** in your cooler. Since the food in the cooler should be kept at 40 °F or below, you need to be able to monitor it.
- Before you leave home, find out if there's a **source of clean water** at your destination. If not, bring water for preparation and cleaning. Or, pack clean cloths and moist towelettes for cleaning surfaces and hands.

### Placement:

- At your destination, keep the cooler **in the shade**, and try to **insulate it** with a blanket, tarp, or poncho. Keep the lid closed and avoid repeated openings. Replenish the ice if it melts.
- Remember that the rule for keeping food safe changes during warmer weather. While food can be kept out of the cooler for 2 hours at normal temperatures, if the weather is **above 90 °F outside**, food should be returned to a cooler or refrigerated after only 1 hour.

(See *Focus On: The Danger Zone*, page 9.)

### Party's Over?

- Discard all **used food packaging** and bags — they could contaminate other food and cause foodborne illness, so don't reuse them.

Discard all perishable foods if there is no longer ice in the cooler, or if the **gel packs** are no longer frozen.

(See also: *Serving Food Safely* on page 35, and *Grilling and Barbecuing* on page 32.)

## food safety for food-by-mail

Whether you're a giver or a receiver, food sent by mail is more popular than ever. But food safety still matters — especially with perishable foods. With a little groundwork, you'll be assured that the contents of the package on the doorstep are safe to eat.

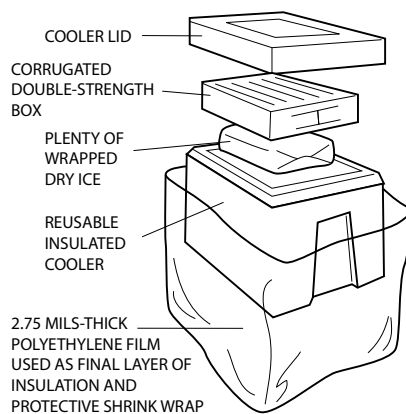
### Mail-Order Food:

Before ordering, confirm that the company sends perishable items (like meat or poultry) cold or frozen and packed with a cold source. It should be packed in foam or heavy corrugated cardboard and should be delivered as quickly as possible — ideally, **overnight**.

Also, take these precautions to ensure safe shipping:

- **Proper Labeling:** Confirm that perishable items and the outer package will be labeled "Keep Refrigerated."
- **Alert the Recipient:** Let him/her know if the company has promised a delivery date. Or, alert the recipient that "the gift is in the mail" so someone can be there to receive it. Don't have perishable items delivered to an office unless you know it will arrive on a workday and that there is refrigerator space available for keeping it cold.
- **All Perishables Need Refrigeration:** Even if a product is smoked, cured, and/or fully cooked, it still is a perishable product and must be kept cold.

### "MINIATURE DEEP-FREEZE" PACKAGING



- **When You're the Recipient:** When you receive a food item marked "Keep Refrigerated," open it immediately and check its temperature. The food should arrive frozen or partially frozen with ice crystals still visible.

**Temperature Caution:** Whoever the recipient is, if perishable food arrives warm, notify the company. **Do not consume the food. If you suspect it may not have been properly chilled, don't even taste it.**

## food safety in an emergency

Keeping the food supply safe is important at all times — but sometimes, it is a greater challenge than others. These situations include power outages, natural disasters, and other emergencies. So be prepared . . . and **be food safe**.

### Product Recalls

When meat and poultry products are recalled, USDA's Food Safety and Inspection Service notifies the public through a press release. The recall is posted on the FSIS Recall Web site: [www.fsis.usda.gov/fsis\\_recalls/index.asp](http://www.fsis.usda.gov/fsis_recalls/index.asp).

These recall announcements include:

- Description of the food
- Identifying codes, including the plant number (found in the USDA Inspection Mark on the label)
- Reason for the recall
- Name of the producer
- Distribution information
- Health risk
- Contacts at FSIS and the company

### Recall Rules of Thumb:

- If you discover that you have a recalled product in your home, **do not consume it**. Instead, return it to the place of purchase or discard.
- If you become ill from a recalled product, contact a physician.

### Power Outages

It's a simple fact of modern life: sometimes the power goes out. This could be for a variety of reasons . . . but the actions to preserve your food remain the same.

- **Keep the refrigerator and freezer doors closed.** The idea is to keep cold air *inside* — so don't open the doors any more than necessary.
  - If your freezer is not full, group packages so they form an "igloo" to protect each other. Place them to one side or on a tray so that if they begin thawing, their juices won't get on other foods.
  - If you think the power will be out for several days, try to find some **dry ice**. Keep it wrapped and do not touch it with your bare hands. Or, use **cubed or block ice**.
  - If your power is out due to a snowstorm, **don't place frozen foods outside**. The sun's rays can thaw frozen food even when the temperature is very cold. In addition, animals could discover your stash.

Instead, take advantage of the cold temperatures by making ice outside. Fill buckets, empty milk cartons, or cans with water and leave them outside to freeze. Then put the "homemade ice" in your refrigerator, freezer, or coolers.

### Mailing Homemade Foods

For sending food safely, check out the packing and shipping tips at [www.fsis.usda.gov/fact\\_sheets/mail\\_order\\_food\\_safety/](http://www.fsis.usda.gov/fact_sheets/mail_order_food_safety/).

- **Keep an appliance thermometer in the refrigerator and freezer at all times.** This will remove the guesswork of just how cold the unit is because it will give you the exact temperature. The key to determining the safety of food in the refrigerator and freezer lies in knowing how cold they are.

- In general, refrigerated items should be safe **up to 4 hours**.
- Discard any perishable food that has been above 40 °F for 2 hours or more. (See *Focus on: The Danger Zone* on page 9.) Also, discard any food that has an unusual odor, color, or texture, or feels warm to the touch. *Never* taste a food to determine its safety!

- **With frozen food: check for ice crystals!** The food in your freezer that partially or completely thaws before power is restored may be safely refrozen if it still contains ice crystals or is 40 °F or below.
  - A full freezer will stay at safe temperatures about 2 days; a half-full freezer about 1 day.
  - When the power comes back on, you will have to evaluate each item separately. **When in doubt, throw it out.**

## In Case of Flood

- Do not eat any food that may have come into contact with **flood water**.
- Discard any food that is not in a **waterproof container** if there is any chance that it has come into contact with flood water. Food containers that are not waterproof include those with screw-caps, snap lids, pull tops, and crimped caps. Also discard cardboard juice/milk/baby formula boxes and home-canned foods if they have come in contact with flood water, because they cannot be effectively sanitized.
- Inspect canned food and discard any food in **damaged cans**. Can damage is shown by swelling, leakage, punctures, holes, fractures, extensive deep rusting, or crushing/denting severe enough to prevent normal stacking or opening with a manual, wheel-type can opener.
- **Undamaged, commercially prepared foods** in all-metal cans and retort pouches (e.g., flexible, shelf-stable juice or seafood pouches) can be saved if the can is properly cleaned and treated.
- **For instructions** on how to salvage all-metal cans and kitchen items, visit [www.fsis.usda.gov/fact\\_sheets/severe\\_storms\\_and\\_hurricanes\\_guide/index.asp/](http://www.fsis.usda.gov/fact_sheets/severe_storms_and_hurricanes_guide/index.asp/).



## In Case of Fire

The general rule of thumb is to **discard food that has been near a fire**.

- **Food in cans or jars** may appear to be okay, but heat from a fire can activate food spoilage bacteria. If the heat is extreme, the cans or jars themselves can split or rupture, leaving the food unsafe.
- **Toxic fumes** released from burning materials can get inside food. Discard any raw food or food in permeable packaging — cardboard, plastic wrap, screw-topped jars, bottles, etc. — stored outside the refrigerator.

- Food stored in **refrigerators or freezers** can also become contaminated by fumes. The refrigerator seal isn't airtight and fumes can get inside.
- **Chemicals used to fight the fire** contain toxic materials and can contaminate food and cookware.
  - **Food** that is exposed to chemicals should be thrown away because the chemicals *cannot* be washed off the food. This includes food stored at room temperature and food stored in permeable containers, like cardboard and screw-topped jars and bottles.
  - **Cookware** exposed to fire-fighting chemicals *can* be decontaminated. Wash it in soap and hot water, then submerge it for 15 minutes in a solution of 1 tablespoon of unscented, liquid chlorine bleach in 1 gallon of water.

## Still Have Questions?

FSIS's **Kitchen Companion** has covered a lot of information on how to be food safe at home. But if you find yourself with further questions, FSIS offers round-the-clock food safety answers online.

Meet **"Ask Karen"** — FSIS's "virtual rep." She represents another way FSIS reaches out to consumers in support of its public health mission to assure the safety and security of America's food supply.



About "Ask Karen":

- She provides food safety information through an extensive database that includes **answers to more than 4,000 questions!**
- She can provide **detailed information** on:
  - Safe storage, preparation, and handling of meat, poultry, and egg products.
  - Prevention of foodborne illness and disease.

"Ask Karen" is available **24 hours a day, 7 days a week**. FSIS invites you to "Ask Karen" at [askkaren.gov](http://askkaren.gov).



A Post-flood "Sanitation Station"

## Food Safety Contacts

### USDA Meat and Poultry Hotline:

1-888-MPHOTLINE (1-888-674-6854)

TTY: 1-800-256-7072

E-mail: [mph hotline.fsis@usda.gov](mailto:mph hotline.fsis@usda.gov)

- Monday – Friday, 10:00 a.m. to 4:00 p.m. ET, year round
- Thanksgiving Day: 8:00 a.m. to 2:00 p.m. ET
- Recorded food safety messages available 24 hours a day

### USDA Food Safety and Inspection Service Web Sites:

- “Ask Karen,” FSIS’s Web-based automated response system — available 24/7 at [askkaren.gov](http://askkaren.gov)
- [befoodsafegov](http://befoodsafegov)
- [www.fsis.usda.gov](http://www.fsis.usda.gov) — online 24 hours, 7 days a week

### U.S. Government Food Safety Web Site:

- [www.foodsafety.gov](http://www.foodsafety.gov)

### ¡Hablamos Español!

Hay disponible información en español sobre Inocuidad Alimentaria de ambas maneras, electrónicamente y por teléfono.

### Llame al teléfono:

1-888-674-6854

### Visite la página principal electrónica:

[www.fsis.usda.gov/en\\_espanol/index.asp](http://www.fsis.usda.gov/en_espanol/index.asp)

### For Help With . . .

**Meat, Poultry, or Processed Egg Products:** 1-888-MPHOTLINE (1-888-674-6854)

**Non-Meat Food Products (Cereals, Fish, Produce, Juices, Pastas, Cheeses, etc.):**  
[www.cfsan.fda.gov](http://www.cfsan.fda.gov) or 1-888-SAFEFOOD

**Restaurant Food Problems:** Call the Health Department in your city, county, or state. Visit [http://healthguideusa.org/local\\_health\\_departments.htm](http://healthguideusa.org/local_health_departments.htm) to locate your health department.

## index

### a

antibiotics, 10  
“Ask Karen” (automated response system), 43, 44, back cover  
“At Risk” groups, 2, 5, 10, 28, 30

### b

bacon, 13  
bacteria, 4, 6, 7, 19, 43  
bag lunches, 38  
barbecuing, 32  
beef, 13, 19, 22  
bleach, 15  
Botulism, 14  
buffets, 5, 36

### c

calciviruses, 7  
*Campylobacter jejuni*, 6  
canned food, 14, 42, 43  
casseroles, 19, 28, 29  
Centers for Disease Control and Prevention, 4  
chicken, 13, 19, 23  
chilling, 33, 38  
cleaning, 15, 17, 25, 39  
*Clostridium botulinum*, 14  
*Clostridium perfringens*, 5, 6  
cooking bags (roasting bags), 26, 27  
cooking temperatures, 21, 22, 26, 27, 29  
cooking times, 22, 23, 27  
coolers, 9, 35, 37, 39  
cross-contamination, 8, 11, 15, 25, 31, 32, 36  
cutting boards, 15, 25

### d

“Danger Zone”, 9, 19, 21, 35, 42  
dates/dating, 8, 10, 11, 20

deep fat frying, 27  
defrosting, 12, 16, 24  
doneness, 18  
duck, 19

### e

*E. coli* O157:H7 (*Escherichia coli* O157:H7), 5, 6  
egg substitutes, 29  
eggnog, 28, 29  
eggs, 8, 11, 13, 17, 19, 28, 29

### f

fire, 43  
fish, 44  
floods, 42  
Food and Drug Administration (FDA), 44  
food poisoning (see *foodborne illness*)  
Food Safety and Inspection Service (FSIS), 2, back cover  
foodborne illness, 4, 5  
freezer burn, 12  
freezers, 12, 13, 16, 20, 29, 41, 42, 43  
freezing, 11, 13, 26, 28, 29, 30, 38  
frozen food, 10, 12  
fruits, 8, 11, 16, 44

### g

giblets, 25  
goose, 19  
grilling, 27, 32  
ground beef (color), 20  
ground meat & poultry (beef, turkey, veal, pork, lamb), 13, 17, 19, 20

### h

ham, 19, 20, 23  
hamburger, 13, 18, 20  
handwashing, 15, 25, 35



holding temperatures, 19, 36  
hormones, 10  
hot dogs, 13, 30  
hotlines, 44

---

**i**  
ice cream (homemade), 29  
internal temperatures, 17, 19, 22, 26,  
27, 29

---

**j**  
jars, 43  
juice, 44

---

**l**  
labels, 8, 10  
lamb, 13, 19, 22  
leftover food, 11, 13, 19, 26, 30, 34  
*Listeria monocytogenes*, 6  
luncheon meat, 13, 30

---

**m**  
mail-order food, 40  
marinating, 31, 33  
microwaving, 16, 24, 26, 27, 30, 31, 38  
mold, 5

---

**n**  
non-meat products, 44  
Noroviruses, 7

---

**o**  
organic food, 10  
oven temperatures, 21, 22, 23, 26, 27

---

**p**  
packaging, 8  
partial cooking (precooking), 32, 33  
pies, 29  
pizza, 13  
pork, 13, 19, 22  
poultry, 11, 13, 14, 17, 19

---

power outages, 34, 41  
pregnancy, 2, 5, 28  
preparation, 15, 16  
produce, 8, 11, 16, 44

---

**q**  
quiche, 29

---

**r**  
recalls, 41  
refreezing, 12, 24  
refrigerating, 11, 13, 28, 29, 30  
refrigerators, 12, 16, 20, 24, 28, 41, 42, 43  
reheating, 26, 30, 36  
restaurants, 44  
roaster ovens, 27  
roasting, 19, 26  
roasts, 21

---

**s**  
Safe Handling Instructions, 10  
safe minimum internal temperatures, 17,  
19, 22, 26, 27, 29  
salads, 13  
*Salmonella*, 5, 7  
sanitizing, 15  
sausage, 13  
separate (foods), 8  
serving food, 35  
shelf-stable food, 11, 14  
shopping, 8  
slow cooking, 34  
smoking (meat and poultry), 16, 27, 33  
soup, 13  
spoilage bacteria, 4, 43  
standing times, 26, 31  
*Staphylococcus aureus*, 5, 7  
stew, 13  
storing food/storage, 11, 13, 14, 26, 28,  
29, 30  
stuffing, 19, 24, 25

---

**t**  
take-out food (delivered food), 37  
temperature indicators (see  
*thermometers*)  
thawing, 12, 16, 24  
thermometers, 12, 17, 18, 26, 29, 32, 33,  
37, 39, 42  
*Toxoplasma gondii*, 7  
transporting food, 9, 35  
turkey, 13, 19, 24, 26, 27  
2-Hour Rule, 9, 28, 35, 36, 39

---

**u**  
USDA Meat and Poultry  
Hotline, 44, back cover

---

**v**  
veal, 13, 19, 22  
vegetables, 8, 11, 16, 44  
*Vibrio vulnificus*, 7

---

**w**  
washing (fruits/vegetables), 16

---

The U.S. Department of Agriculture (USDA) prohibits discrimination in all its programs and activities on the basis of race, color, national origin, age, disability, and where applicable, sex, marital status, familial status, parental status, religion, sexual orientation, genetic information, political beliefs, reprisal, or because all or part of an individual's income is derived from any public assistance program. (Not all prohibited bases apply to all programs.) Persons with disabilities who require alternative means for communication of program information (Braille, large print, audiotape, etc.) should contact USDA's TARGET Center at (202) 720-2600 (voice and TDD). To file a complaint of discrimination, write to USDA, Director, Office of Civil Rights, 1400 Independence Avenue, S.W., Washington, D.C. 20250-9410, or call (800) 795-3272 (voice) or (202) 720-6382 (TDD). USDA is an equal opportunity provider and employer.

February 2008

## For More Information

USDA Meat and Poultry Hotline

**1-888-MPHOTLINE**

(1-888-674-6854)

TTY: 1-800-256-7072

E-mail: [mphotline.fsis@usda.gov](mailto:mphotline.fsis@usda.gov)

“Ask Karen”

FSIS’s Web-based automated response system — available 24/7

**[askkaren.gov](http://askkaren.gov)**

Food Safety and Inspection Service

**[www.fsis.usda.gov](http://www.fsis.usda.gov)**

# Kitchen Companion



United States Department of Agriculture  
Food Safety and Inspection Service