

NOTES:

1. ALL DIMENSIONS ARE IN INCHES MILLIMETERS IN BRACKETS.
2. ALL DIMENSIONS ARE REFERENCE ONLY.
3. DO NOT SCALE FROM DRAWING.
4. THIS DRAWING IS SUPPORTING DESIGN INFORMATION (SDI).
5. LID LIFTING FEATURES ARE BASED ON REFERENCES 3 & 9.
6. S31600 HAS ADDITIONAL CONTROLS ON CARBON AND NITROGEN.
7. FOR ORIGINAL SIGNATURES FOR REV 00A SEE CONTROLLED ARCHIVE.
8. THE PURGE PORT CAP CONTAINS METALLIC GASKETS, BUT THE MATERIAL MASSES ARE NEGLIGIBLE AND ARE NOT INCLUDED. SEE REFERENCE 8.

REFERENCE LIST:

1. Q-LIST. 000-30R-MGR0-00500-000-003, PAGE A-9.
2. HIGH-LEVEL RADIOACTIVE WASTE AND U.S. DEPARTMENT OF ENERGY AND NAVAL SPENT NUCLEAR FUEL TO THE MONITORED GEOLOGIC REPOSITORY. VOLUME 1 OF INTEGRATED INTERFACE CONTROL DOCUMENT. DOE/RW-0511 REV. 03, FIGURES C-17 & C-18.
3. SUPPLIER DOCUMENT 005128Q-0052-001-1, PAGE 2, FIGURE 2.
4. NAVAL SHORT WASTE PACKAGE CONFIGURATION, 000-MW0-DNFO-00202-000 AND NAVAL SHORT WASTE PACKAGE CONFIGURATION, 000-MW0-DNFO-00203-000.
5. BASIS OF DESIGN FOR THE TAD CANISTER-BASED REPOSITORY DESIGN CONCEPT 000-3DR-MGR0-00300-000-000.
6. 2001 ASME BOILER AND PRESSURE VESSEL CODE (INCLUDES 2002 ADDENDA). TIC: 251425.
7. ASTM G 1-90 (REAPPROVED 1999). STANDARD PRACTICE FOR PREPARING, CLEANING, AND EVALUATING CORROSION TEST SPECIMENS. TIC: 238771.
8. ASSESSMENT OF PROPOSED DEFINITION OF PURGE PORT CAP & GASKET MATERIAL. 000-30R-WISO-00600-000-00, ENTIRE.
9. SUPPLIER DOCUMENT 005128Q-0020-001-1, ENTIRE.

COMPONENT NAME	MATERIAL	QTY REQ
OUTER LID	SB-575 (UNS N06022)	1
SPREAD RING	SA-240 (UNS S31600)	1
PURGE PORT CAP	SA-240 (UNS S31600)	1
INNER LID	SA-240 (UNS S31600)	1
INNER VESSEL	SA-240 (UNS S31600)	1
INTERFACE RING (SEE 000-MW0-DNFO-00203-000)	SA-240 (UNS S31600)	1
OUTER CORROSION BARRIER	SB-575 (UNS N06022)	1
UPPER SLEEVE	SB-575 (UNS N06022)	1
LOWER SLEEVE	SB-575 (UNS N06022)	1
SUPPORT RING (SEE 000-MW0-DNFO-00203-000)	SB-575 (UNS N06022)	1

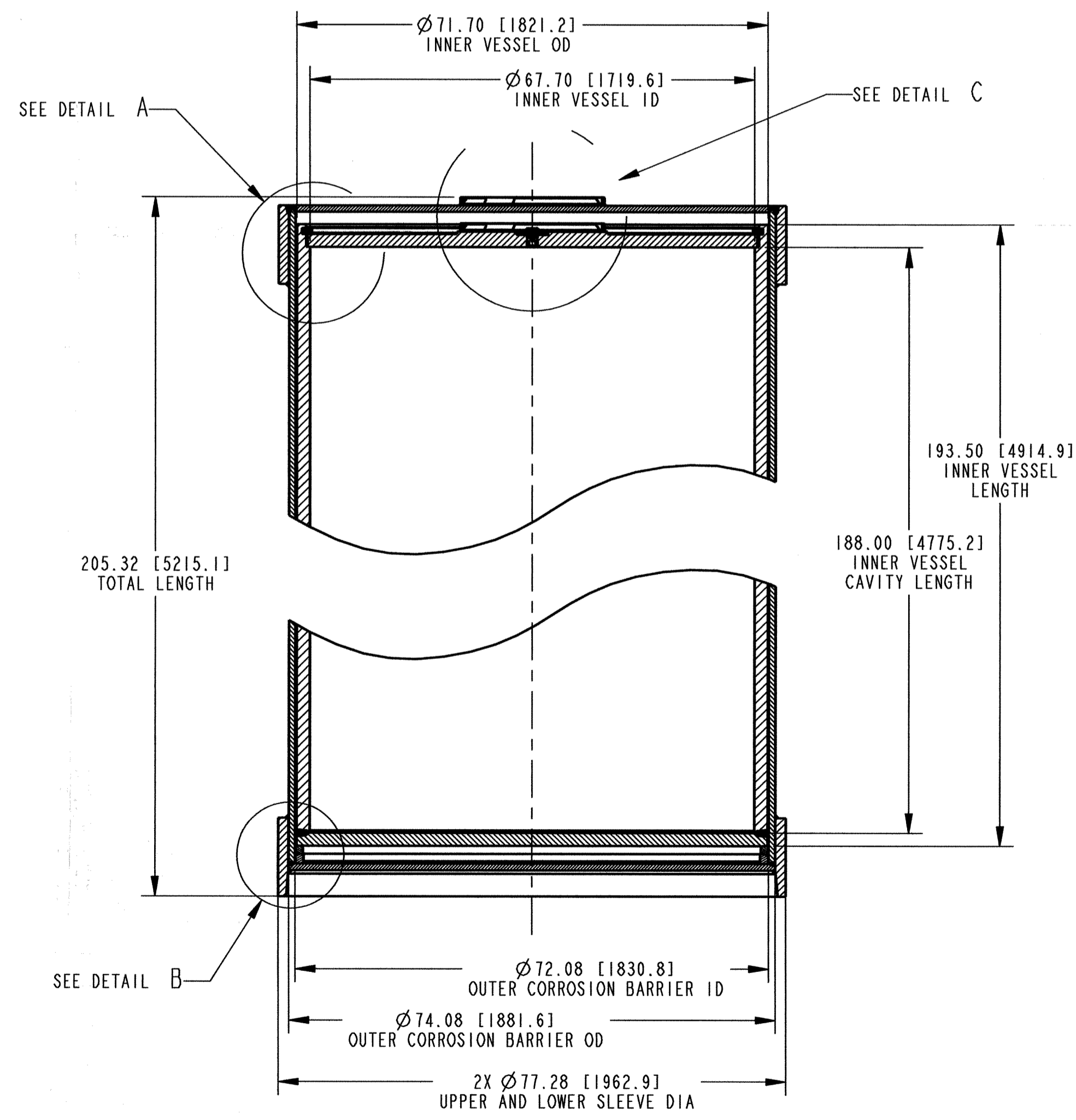
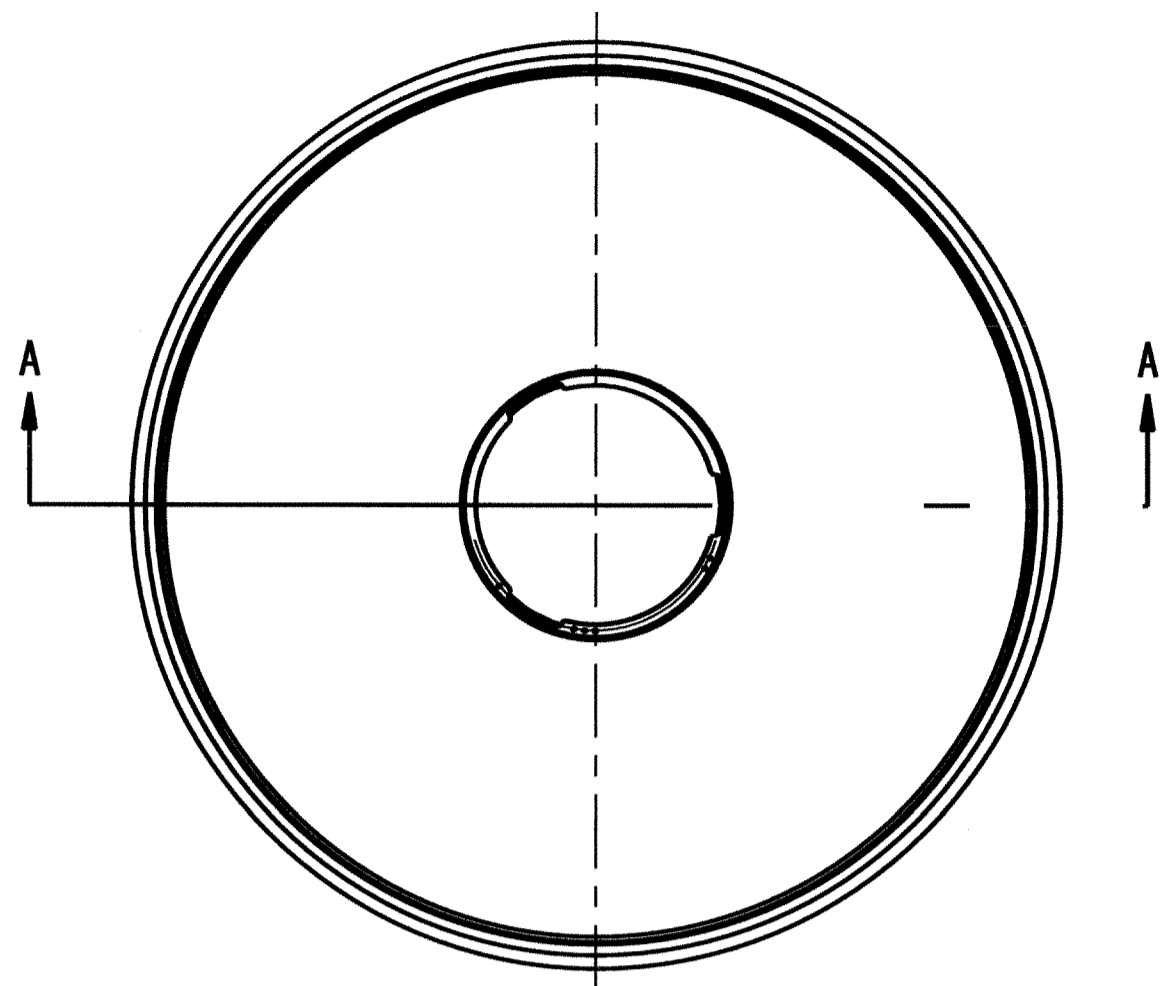
NOMINAL LENGTH	NOMINAL DIAMETER	WASTE PACKAGE ASSY	LOADED MASS
205.32 IN	77.28 IN	48,500 LBM	157,000 LBM
5215.1 MM	1962.9 MM	22,000 KG	71,200 KG

THIS DRAWING IS PRELIMINARY AND NOT INTENDED FOR CONSTRUCTION, PROCUREMENT OR FABRICATION.

REV	DESCRIPTION	DATE	ORO	CHK	ESG	PE	DEM	DEC
00C	EXTENSIVE REVISION: ADDED UPPER SLEEVE, LOWER SLEEVE AND PURGE PORT CAP TO COMPONENT TABLE. CORRECTED MASS INFO PER DCH001, CR9784. UPDATED NOMENCLATURE, NOTES, & REFERENCE LIST.	4/7/07						
00B	UPDATED MASS INFO WITH NEW DIMENSIONS PER CR 6302. EXTENSIVE REVISION TO ACCOMMODATE DIMENSION AND FIXTURE CHANGES. MODIFIED NOTES AND REFORMATTED PER NEW PROCEDURES. ADDED REFERENCE LIST. REMOVED MIDDLE LID. REVISED TRUNNION. REVISED LIFTING RING.	11/17/06	JV	DS	MA	MJ	N/A	SH
00A	INITIAL ISSUE	9/24/03	ML	AS	AS	N/A	JC	DT

APPROVALS	INITIAL/DATE	U.S. DEPARTMENT OF ENERGY Office of Civilian Radioactive Waste Management
ORIGINATOR M. LEWIS	ML 9/22/03	SAIC Management and Operation of the Office of Civilian Radioactive Waste Management Program
CHECKER A. SCHEIDER	AS 9/22/03	
ENGINEERING GROUP SUPERVISOR A. SCHEIDER	AS 9/22/03	
PROJECT ENGINEER N/A	N/A	
DISCIPLINE ENGINEERING MANAGER J. CLOUD	JC 9/22/03	

SAFETY CLASSIFICATION	DOCUMENT IDENTIFIER
ITS & ITWI	000-MW0-DNFO-00201-000
SIZE D	SCALE NONE
DATE DT 9/22/03	CAD FILE 000-MW0-DNFO-00200-000.DRW
REV 00C	



SECTION A-A

NOTES:

1. ALL DIMENSIONS ARE IN INCHES MILLIMETERS IN BRACKETS.
2. ALL DIMENSIONS ARE REFERENCE ONLY.
3. DO NOT SCALE FROM DRAWING.
4. THIS DRAWING IS SUPPORTING DESIGN INFORMATION (SDI).
5. LID LIFTING FEATURES ARE BASED ON REFERENCES 3 & 9.
6. S31600 HAS ADDITIONAL CONTROLS ON CARBON AND NITROGEN.
7. FOR ORIGINAL SIGNATURES FOR REV 00A SEE CONTROLLED ARCHIVE.
8. THE PURGE PORT CAP CONTAINS METALLIC GASKETS, BUT THE MATERIAL MASSES ARE NEGLIGIBLE AND ARE NOT INCLUDED. SEE REFERENCE 8.

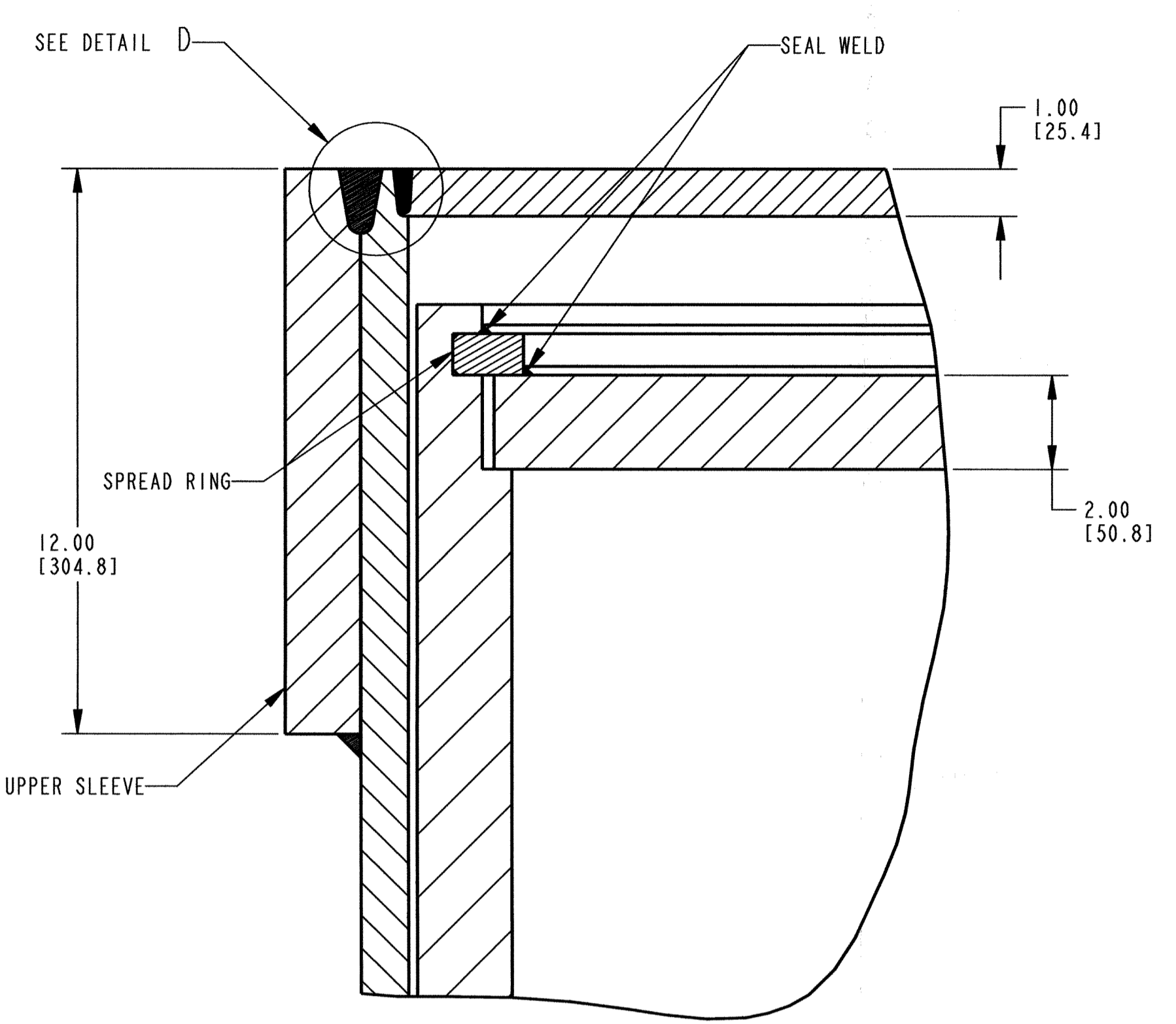
REFERENCE LIST:

1. Q-LIST. 000-30R-MGR0-00500-000-003, PAGE A-9.
2. HIGH-LEVEL RADIOACTIVE WASTE AND U.S. DEPARTMENT OF ENERGY AND NAVAL SPENT NUCLEAR FUEL TO THE MONITORED GEOLOGIC REPOSITORY. VOLUME 1 OF INTEGRATED INTERFACE CONTROL DOCUMENT. DOE/RW-0511 REV. 03, FIGURES C-17 & C-18.
3. SUPPLIER DOCUMENT 005128Q-0052-001-1, PAGE 2, FIGURE 2.
4. NAVAL SHORT WASTE PACKAGE CONFIGURATION, 000-MW0-DNF0-00201-000 AND NAVAL SHORT WASTE PACKAGE CONFIGURATION, 000-MW0-DNF0-00203-000.
5. BASIS OF DESIGN FOR THE TAD CANISTER-BASED REPOSITORY DESIGN CONCEPT 000-3DR-MGR0-00300-000-000.
6. 2001 ASME BOILER AND PRESSURE VESSEL CODE (INCLUDES 2002 ADDENDA). TIC: 251425.
7. ASTM G 1-90 (REAPPROVED 1999). STANDARD PRACTICE FOR PREPARING, CLEANING, AND EVALUATING CORROSION TEST SPECIMENS. TIC: 238771.
8. ASSESSMENT OF PROPOSED DEFINITION OF PURGE PORT CAP & GASKET MATERIAL. 000-30R-WIS0-00600-000-00, ENTIRE.
9. SUPPLIER DOCUMENT 005128Q-0020-001-1, ENTIRE.

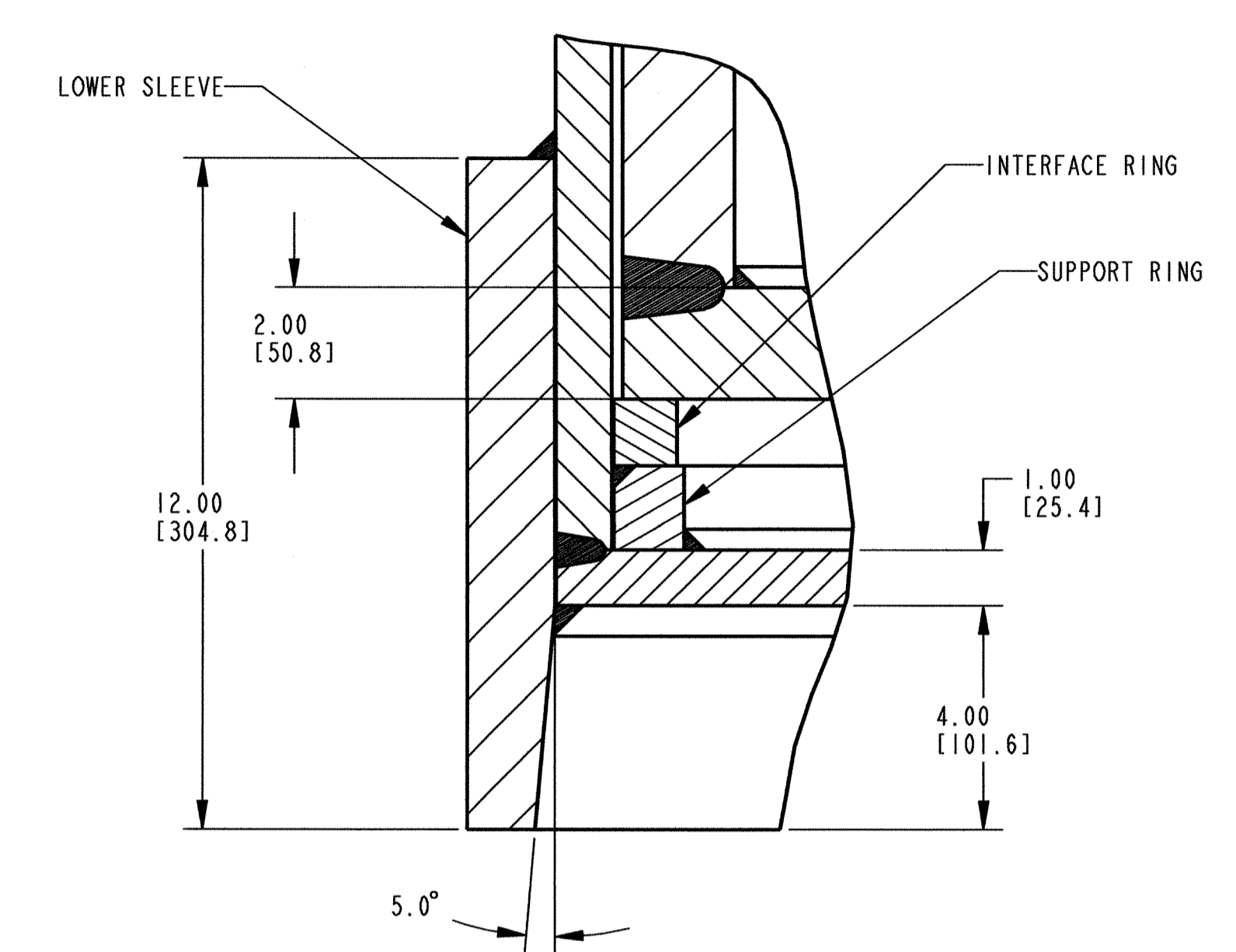
REV	DESCRIPTION	DATE	ORIG	CHK	ESG	FE	DEM	DEC
00C	EXTENSIVE REVISION: UPDATED NOMENCLATURE, NOTES, & REFERENCE LIST. REMOVED SECTION B-B. MOVED DIMENSIONS LOCATED IN SECTION B-B TO SECTION A-A.	9/27/07	ML	AS	AS	N/A	JC	DT
00B	UPDATED MASS INFO WITH NEW DIMENSIONS PER CR 6302. EXTENSIVE REVISION TO ACCOMMODATE DIMENSION AND FIXTURE CHANGES. MODIFIED NOTES AND REFORMATTED PER NEW PROCEDURES. ADDED REFERENCE LIST. REMOVED MIDDLE LID. REVISED TRUNNION. REVISED LIFTING RING.	11/17/06	JV	DS	MA	MJ	N/A	SH
00A	INITIAL ISSUE	9/24/03	ML	AS	AS	N/A	JC	DT

APPROVALS		INITIAL/DATE	U.S. DEPARTMENT OF ENERGY Office of Civilian Radioactive Waste Management					
ORIGINATOR	M. LEWIS	ML 9/22/03	BECHTEL Management and Operation of the Office of SAIC Civilian Radioactive Waste Management Program					
CHECKER	A. SCHEIDER	AS 9/22/03						
ENGINEERING GROUP SUPERVISOR	A. SCHEIDER	AS 9/22/03						
PROJECT ENGINEER	N/A	N/A						
DISCIPLINE ENGINEERING MANAGER	J. CLOUD	JC 9/22/03	SAFETY CLASSIFICATION	ITS & ITW1	DOCUMENT IDENTIFIER:	000-MW0-DNF0-00202-000		
DATE OF CONCURRENCE	D. TUNNEY	DT 9/22/03	SIZE	D	SCALE	NONE	CAD FILE	000-MW0-DNF0-00200-000.DRW
			REV				00C	

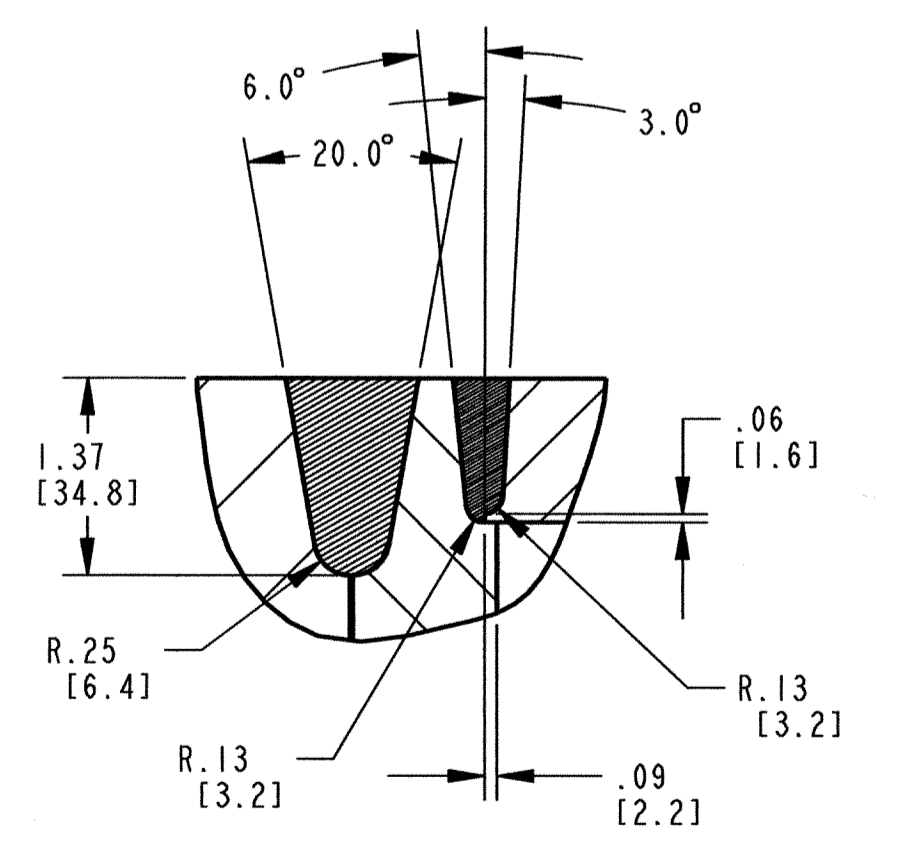
THIS DRAWING IS PRELIMINARY AND NOT INTENDED FOR CONSTRUCTION, PROCUREMENT OR FABRICATION.



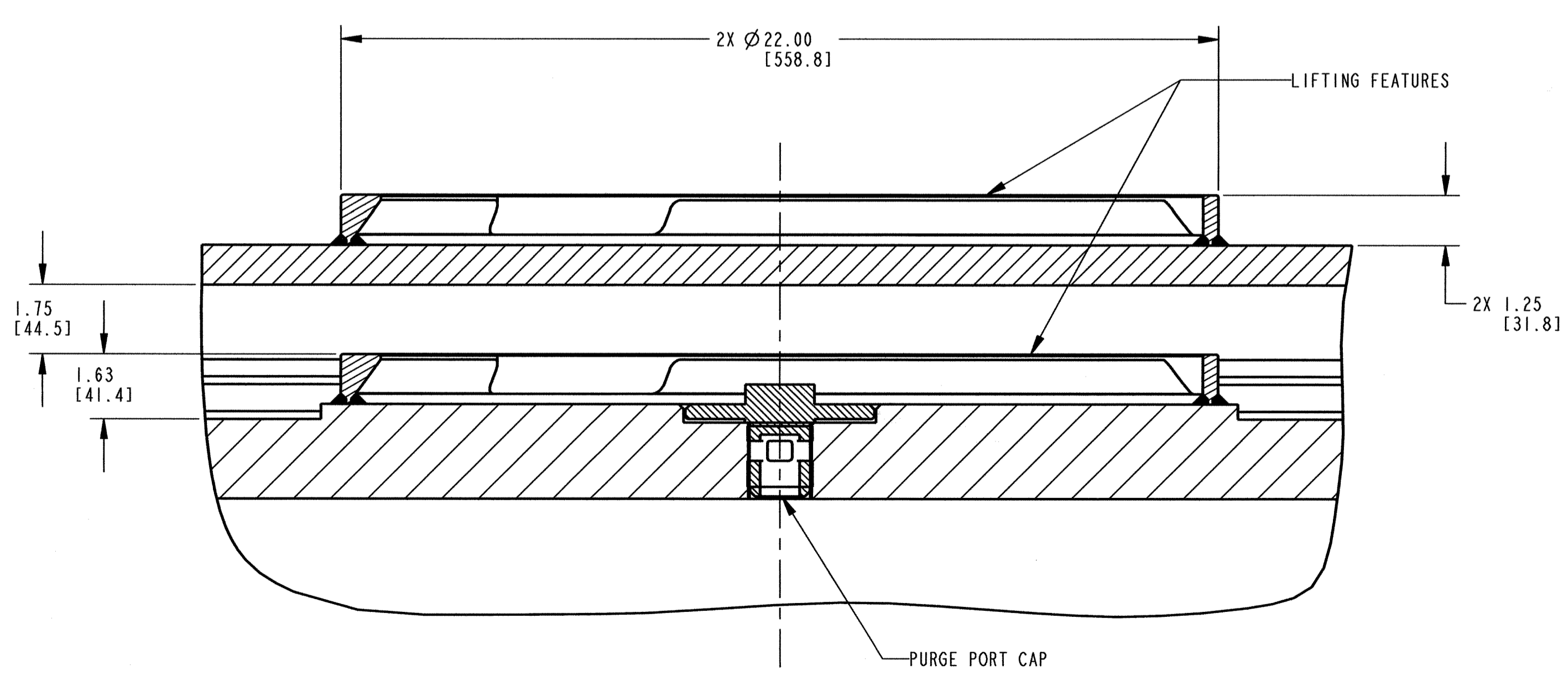
DETAIL A



DETAIL B



DETAIL D



DETAIL C

THIS DRAWING IS PRELIMINARY AND NOT INTENDED FOR CONSTRUCTION, PROCUREMENT OR FABRICATION.

NOTES:

1. ALL DIMENSIONS ARE IN INCHES MILLIMETERS IN BRACKETS.
2. ALL DIMENSIONS ARE REFERENCE ONLY.
3. DO NOT SCALE FROM DRAWING.
4. THIS DRAWING IS SUPPORTING DESIGN INFORMATION (SDI).
5. LID LIFTING FEATURES ARE BASED ON REFERENCES 3 & 9.
6. S31600 HAS ADDITIONAL CONTROLS ON CARBON AND NITROGEN.
7. FOR ORIGINAL SIGNATURES FOR REV 00A SEE CONTROLLED ARCHIVE.
8. THE PURGE PORT CAP CONTAINS METALLIC GASKETS, BUT THE MATERIAL MASSES ARE NEGLIGIBLE AND ARE NOT INCLUDED. SEE REFERENCE 8.

REFERENCE LIST:

1. Q-LIST. 000-30R-MGRO-00500-000-003, PAGE A-9.
2. HIGH-LEVEL RADIOACTIVE WASTE AND U.S. DEPARTMENT OF ENERGY AND NAVAL SPENT NUCLEAR FUEL TO THE MONITORED GEOLOGIC REPOSITORY. VOLUME 1 OF INTEGRATED INTERFACE CONTROL DOCUMENT. DOE/RW-0511 REV. 03, FIGURES C-17 & C-18.
3. SUPPLIER DOCUMENT 005128Q-0052-001-1, PAGE 2, FIGURE 2.
4. NAVAL SHORT WASTE PACKAGE CONFIGURATION, 000-MW0-DNFO-00201-000 AND NAVAL SHORT WASTE PACKAGE CONFIGURATION, 000-MW0-DNFO-00202-000.
5. BASIS OF DESIGN FOR THE TAD CANISTER-BASED REPOSITORY DESIGN CONCEPT 000-3DR-MGRO-00300-000-000.
6. 2001 ASME BOILER AND PRESSURE VESSEL CODE (INCLUDES 2002 ADDENDA). TIC: 251425.
7. ASTM G 1-90 (REAPPROVED 1999). STANDARD PRACTICE FOR PREPARING, CLEANING, AND EVALUATING CORROSION TEST SPECIMENS. TIC: 238771.
8. ASSESSMENT OF PROPOSED DEFINITION OF PURGE PORT CAP & GASKET MATERIAL. 000-30R-WISO-00600-000-00, ENTIRE.
9. SUPPLIER DOCUMENT 005128Q-0020-001-1, ENTIRE.

REV	DESCRIPTION	DATE	ORD	CHK	EGS	FE	DEM	DEC
00C	EXTENSIVE REVISION: UPDATED NOMENCLATURE, NOTES, & REFERENCE LIST. ADDED DETAIL D. REMOVED EXTRA DIMENSIONS FROM DETAILS A AND B. ADDED DIMS 1.75 AND 1.63 TO DETAIL C.	9/27/07						
00B	UPDATED MASS INFO WITH NEW DIMENSIONS PER CR 6302. EXTENSIVE REVISION TO ACCOMMODATE DIMENSION AND FIXTURE CHANGES. MODIFIED NOTES AND REFORMATTED PER NEW PROCEDURES. ADDED REFERENCE LIST. REMOVED MIDDLE LID. REVISED TRUNNION. REVISED LIFTING RING.	11/17/06	JV	DS	MA	MJ	N/A	SH
00A	INITIAL ISSUE	9/24/03	ML	AS	AS	N/A	JC	DT

REVISION HISTORY

APPROVALS	INITIAL/DATE	U.S. DEPARTMENT OF ENERGY Office of Civilian Radioactive Waste Management	
ORIGINATOR M. LEWIS	ML 9/22/03	Management and Operation of the Office of Civilian Radioactive Waste Management Program	
CHECKER A. SCHEIDER	AS 9/22/03	SAIC	
ENGINEERING GROUP SUPERVISOR A. SCHEIDER	AS 9/22/03	NAVAL SHORT WASTE PACKAGE CONFIGURATION	
PROJECT ENGINEER N/A	N/A	SAFETY CLASSIFICATION: ITS & ITWI	
DISCIPLINE ENGINEERING MANAGER J. CLOUD	JC 9/22/03	DOCUMENT IDENTIFIER: 000-MW0-DNFO-00203-000	
DE CONCURRENCE D. TUNNEY	DT 9/22/03	CAP FILE: 000-MW0-DNFO-00200-000.DRW	