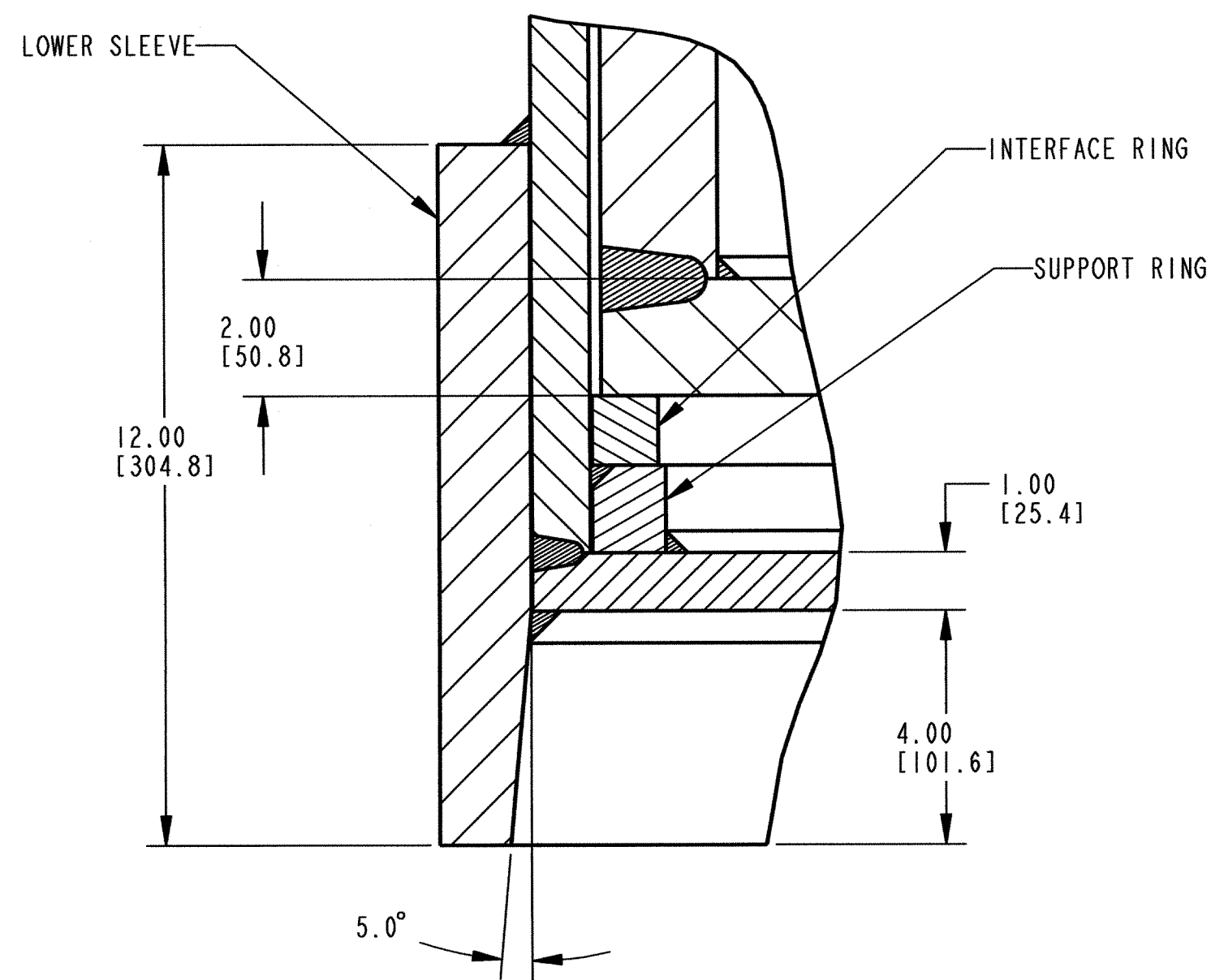
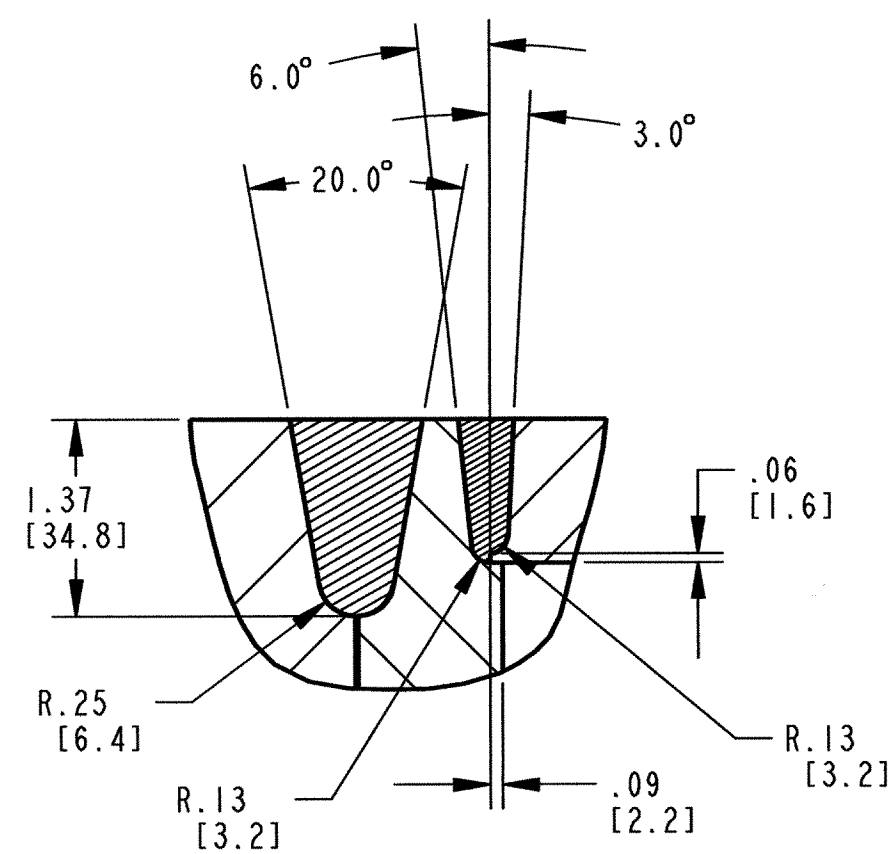


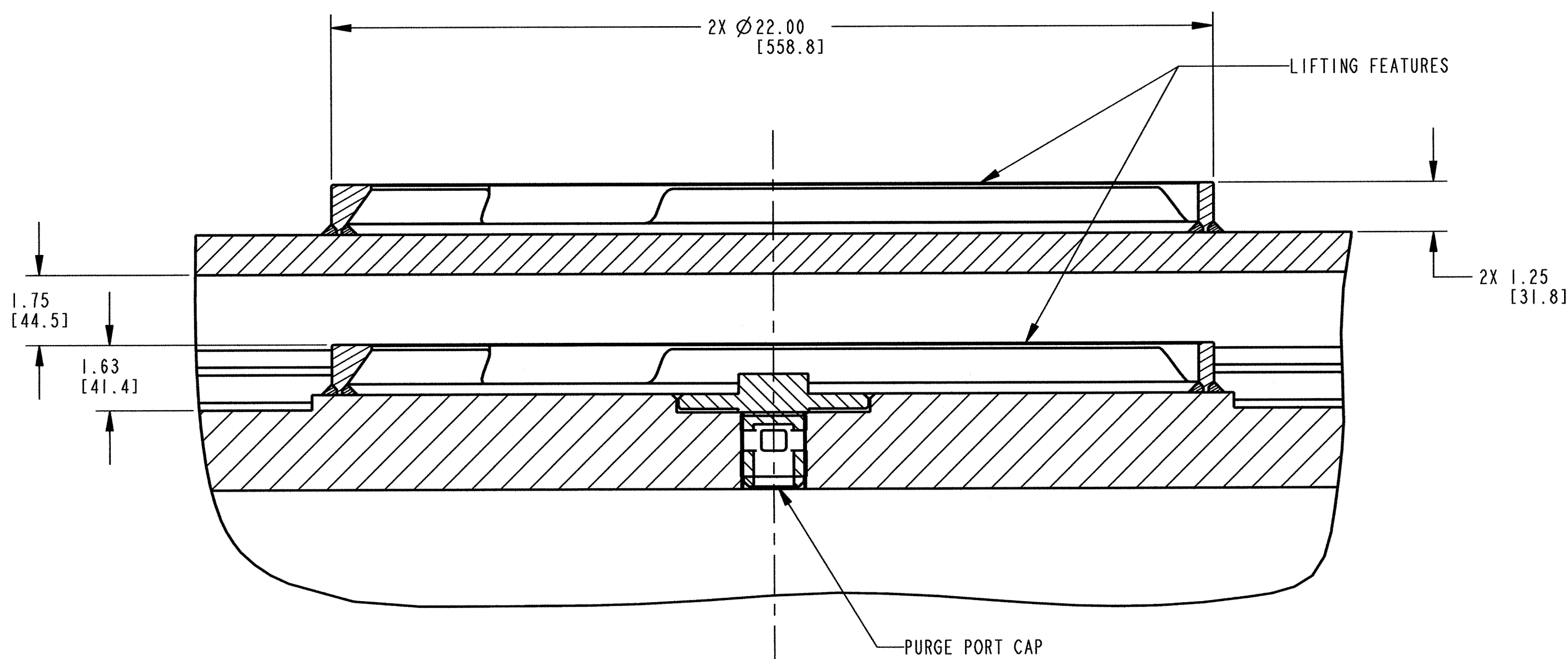
DETAIL A



DETAIL B



DETAIL D



DETAIL C

THIS DRAWING IS PRELIMINARY AND NOT INTENDED FOR CONSTRUCTION, PROCUREMENT OR FABRICATION.

NOTES:

1. ALL DIMENSIONS ARE IN INCHES MILLIMETERS IN BRACKETS.
2. ALL DIMENSIONS ARE REFERENCE ONLY.
3. DO NOT SCALE FROM DRAWING.
4. THIS DRAWING IS SUPPORTING DESIGN INFORMATION (SDI).
5. LID LIFTING FEATURES ARE BASED ON REFERENCES 3 & 9.
6. S31600 HAS ADDITIONAL CONTROLS ON CARBON AND NITROGEN.
7. FOR ORIGINAL SIGNATURES FOR REV 00A SEE CONTROLLED ARCHIVE.
8. THE PURGE PORT CAP CONTAINS METALLIC GASKETS, BUT THE MATERIAL MASSES ARE NEGLIGIBLE AND ARE NOT INCLUDED. SEE REFERENCE 8.

REFERENCE LIST:

1. Q-LIST. 000-30R-MGR0-00500-000-003, PAGE A-9.
2. HIGH-LEVEL RADIOACTIVE WASTE AND U.S. DEPARTMENT OF ENERGY AND NAVAL SPENT NUCLEAR FUEL TO THE MONITORED GEOLOGIC REPOSITORY. VOLUME I OF INTEGRATED INTERFACE CONTROL DOCUMENT. DOE/RW-0511 REV. 03, FIGURES C-17 & C-19.
3. SUPPLIER DOCUMENT 0051280-0052-001-1, PAGE 2, FIGURE 2.
4. NAVAL LONG WASTE PACKAGE CONFIGURATION. 000-MWO-DNFO-00101-000 AND NAVAL LONG WASTE PACKAGE CONFIGURATION, 000-MWO-DNFO-00102-000.
5. BASIS OF DESIGN FOR THE TAD CANISTER-BASED REPOSITORY DESIGN CONCEPT 000-3DR-MGR0-00300-000-000.
6. 2001 ASME BOILER AND PRESSURE VESSEL CODE (INCLUDES 2002 ADDENDA). TIC: 251425.
7. ASTM G 1-90 (REAPPROVED 1999). STANDARD PRACTICE FOR PREPARING, CLEANING, AND EVALUATING CORROSION TEST SPECIMENS. TIC: 238771.
8. ASSESSMENT OF PROPOSED DEFINITION OF PURGE PORT CAP & GASKET MATERIAL. 000-30R-WIS0-00600-000-00, ENTIRE.
9. SUPPLIER DOCUMENT 0051280-0020-001-1, ENTIRE.

REV	DESCRIPTION	DATE	ORIG	CHK	ESG	PE	DEM	SEC
00C	EXTENSIVE REVISION: UPDATED NOMENCLATURE, NOTES, & REFERENCE LIST. ADDED DETAIL D. REMOVED EXTRA DIMENSIONS FROM DETAILS A AND B. ADDED DIMS 1.75 AND 1.63 TO DETAIL C.	9/27/07						
00B	UPDATED MASS INFO WITH NEW DIMENSIONS PER CR 6302. EXTENSIVE REVISION TO ACCOMMODATE DIMENSION AND FIXTURE CHANGES. MODIFIED NOTES AND REFORMATTED PER NEW PROCEDURES. ADDED REFERENCE LIST. REMOVED MIDDLE LID. REVISED TRUNNION. REVISED LIFTING RING.	11/17/06	JV	DS	NA	MJ	N/A	DS
00A	INITIAL ISSUE	9/24/03	ML	AS	AS	JC	N/A	DT

APPROVALS		INITIAL/DATE	REVISION HISTORY					
ORIGINATOR		ML 9/19/03	<b>U.S. DEPARTMENT OF ENERGY</b> Office of Civilian Radioactive Waste Management Management and Operation of the Office of Civilian Radioactive Waste Management Program					
CHECKER		AS 9/19/03						
ENGINEERING GROUP SUPERVISOR		AS 9/19/03						
PROJECT ENGINEER		N/A						
DISCIPLINE ENGINEERING MANAGER		JC 9/24/03	SAFETY CLASSIFICATION		DOCUMENT IDENTIFIER:			
J. CLOUD		DT 9/19/03	ITS & ITWI		000-MWO-DNFO-00103-000			
D. TUNNEY			SIZE D SCALE NONE		CAP FILE 000-MWO-DNFO-00100-000.DRW			