

COMPONENT NAME	MATERIAL	QTY REQ
OUTER LID	SB-575 (UNS N06022)	1
SPREAD RING	SA-240 (UNS S31600)	1
PURGE PORT CAP	SA-240 (UNS S31600)	1
INNER LID	SA-240 (UNS S31600)	1
INNER VESSEL	SA-240 (UNS S31600)	1
INTERFACE RING (SEE 000-MWO-DNFO-00103-000)	SA-240 (UNS S31600)	1
OUTER CORROSION BARRIER	SB-575 (UNS N06022)	1
UPPER SLEEVE	SB-575 (UNS N06022)	1
LOWER SLEEVE	SB-575 (UNS N06022)	1
SUPPORT RING (SEE 000-MWO-DNFO-00103-000)	SB-575 (UNS N06022)	1

NOMINAL LENGTH	NOMINAL DIAMETER	WASTE PACKAGE ASSY	LOADED MASS
230.32 IN	77.28 IN	53,500 LBM	162,000 LBM
5850.1 MM	1962.9 MM	24,300 KG	73,500 KG

THIS DRAWING IS PRELIMINARY AND NOT INTENDED FOR CONSTRUCTION, PROCUREMENT OR FABRICATION.

NOTES:

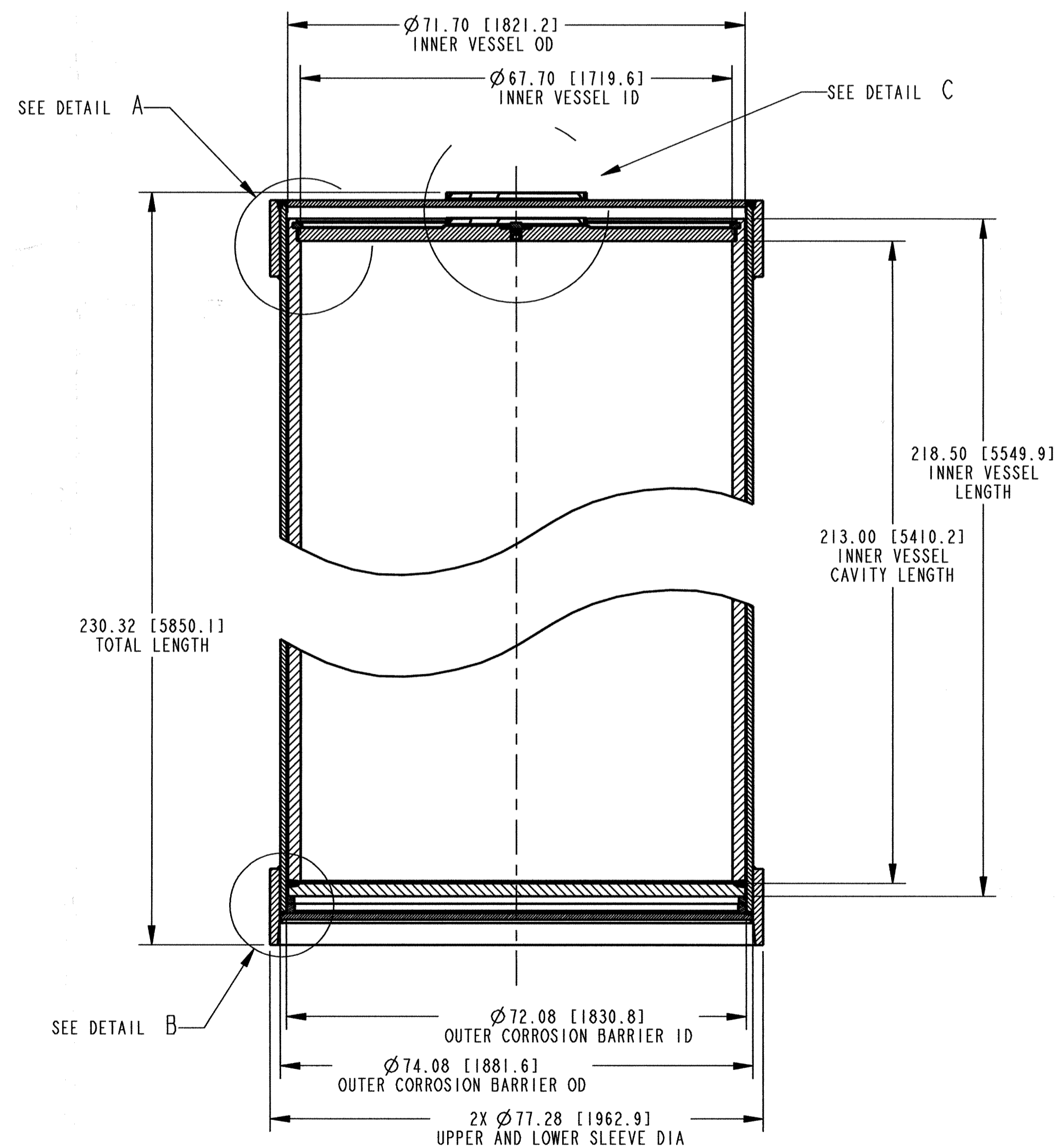
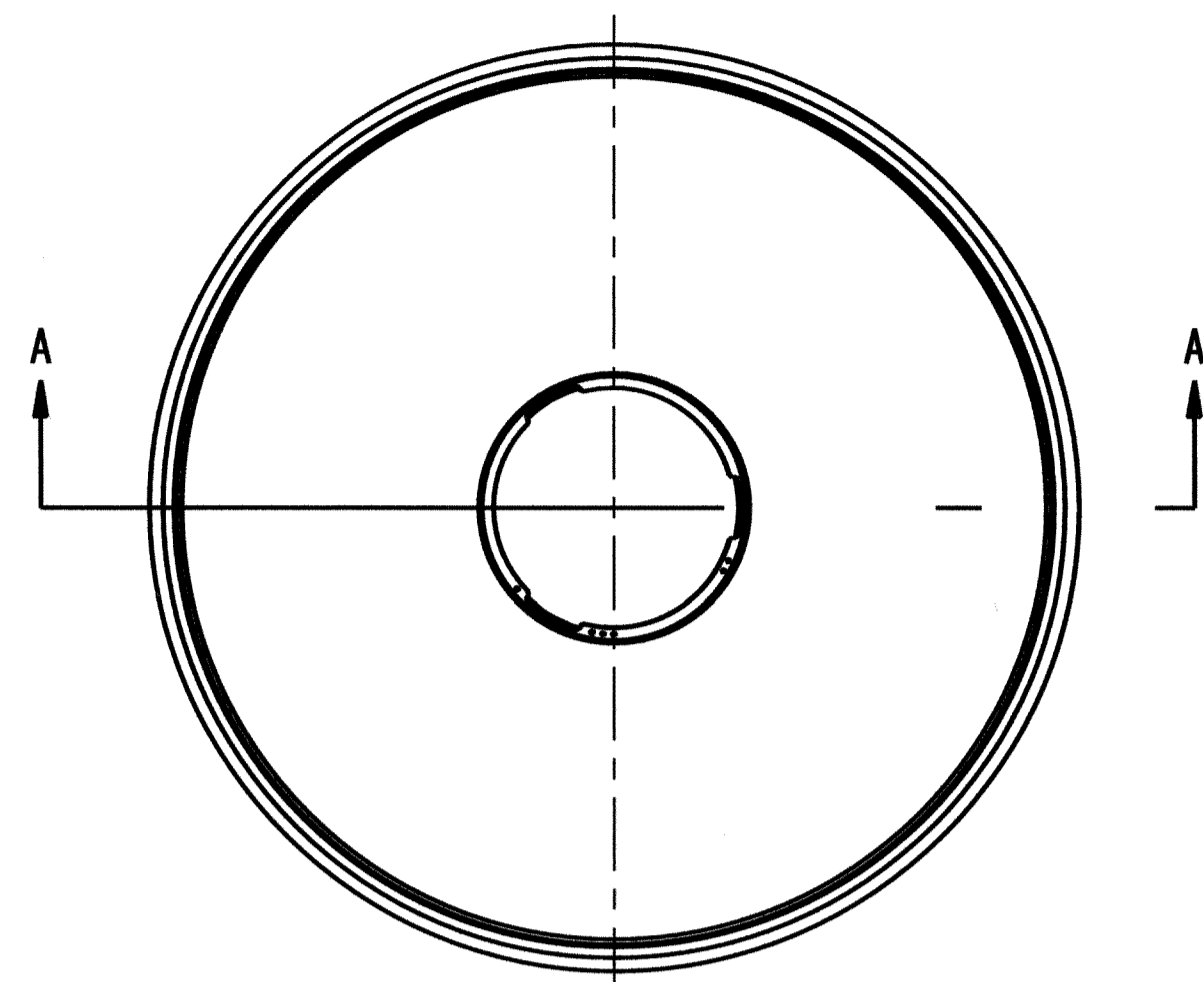
1. ALL DIMENSIONS ARE IN INCHES MILLIMETERS IN BRACKETS.
2. ALL DIMENSIONS ARE REFERENCE ONLY.
3. DO NOT SCALE FROM DRAWING.
4. THIS DRAWING IS SUPPORTING DESIGN INFORMATION (SDI).
5. LID LIFTING FEATURES ARE BASED ON REFERENCES 3 & 9.
6. S31600 HAS ADDITIONAL CONTROLS ON CARBON AND NITROGEN.
7. FOR ORIGINAL SIGNATURES FOR REV 00A SEE CONTROLLED ARCHIVE.
8. THE PURGE PORT CAP CONTAINS METALLIC GASKETS, BUT THE MATERIAL MASSES ARE NEGLIGIBLE AND ARE NOT INCLUDED. SEE REFERENCE 8.

REFERENCE LIST:

1. Q-LIST. 000-30R-MGRO-00500-000-003, PAGE A-9.
2. HIGH-LEVEL RADIOACTIVE WASTE AND U.S. DEPARTMENT OF ENERGY AND NAVAL SPENT NUCLEAR FUEL TO THE MONITORED GEOLOGIC REPOSITORY. VOLUME 1 OF INTEGRATED INTERFACE CONTROL DOCUMENT. DOE/RW-0511 REV. 03, FIGURES C-17 & C-19.
3. SUPPLIER DOCUMENT 0051280-0052-001-1, PAGE 2, FIGURE 2.
4. NAVAL LONG WASTE PACKAGE CONFIGURATION, 000-MWO-DNFO-00102-000 AND NAVAL LONG WASTE PACKAGE CONFIGURATION, 000-MWO-DNFO-00103-000.
5. BASIS OF DESIGN FOR THE TAD CANISTER-BASED REPOSITORY DESIGN CONCEPT 000-3DR-MGRO-00300-000-000.
6. 2001 ASME BOILER AND PRESSURE VESSEL CODE (INCLUDES 2002 ADDENDA). TIC: 251425.
7. ASTM G 1-90 (REAPPROVED 1999). STANDARD PRACTICE FOR PREPARING, CLEANING, AND EVALUATING CORROSION TEST SPECIMENS. TIC: 238771.
8. ASSESSMENT OF PROPOSED DEFINITION OF PURGE PORT CAP & GASKET MATERIAL. 000-30R-WISO-00600-000-00, ENTIRE.
9. SUPPLIER DOCUMENT 0051280-0020-001-1, ENTIRE.

REV	DESCRIPTION	DATE	ORIG	CHK	ESG	PE	DEM	QCC
00C	EXTENSIVE REVISION: ADDED UPPER SLEEVE, LOWER SLEEVE AND PURGE PORT CAP TO COMPONENT TABLE. UPDATED NOMENCLATURE, NOTES, & REFERENCE LIST.	4/27/07						
00B	UPDATED MASS INFO WITH NEW DIMENSIONS PER CR 6302. EXTENSIVE REVISION TO ACCOMMODATE DIMENSION AND FIXTURE CHANGES. MODIFIED NOTES AND REFORMATTED PER NEW PROCEDURES. ADDED REFERENCE LIST. REMOVED MIDDLE LID. REVISED TRUNNION. REVISED LIFTING RING.	11/17/06	JV	DS	MA	MJ	N/A	DS
00A	INITIAL ISSUE	9/24/03	ML	AS	AS	JC	N/A	DT

APPROVALS		INITIAL/DATE	REVISION HISTORY			
ORIGINATOR		ML 9/19/03	U.S. DEPARTMENT OF ENERGY Office of Civilian Radioactive Waste Management Management and Operation of the Office of Civilian Radioactive Waste Management Program BECHTEL SAIC COMPANY LLC			
CHECKER		AS 9/19/03				
ENGINEERING GROUP SUPERVISOR		AS 9/19/03				
PROJECT ENGINEER		N/A				
DISCIPLINE ENGINEERING MANAGER		JC 9/24/03	SAFETY CLASSIFICATION		DOCUMENT IDENTIFIER:	
J. CLOUD		DT 9/19/03	ITS & ITWI		000-MWO-DNFO-00101-000	
D. TUNNEY			SIZE		CAP FILE	
			D		000-MWO-DNFO-00100-000.DRW	
			SCALE		REV	
			NONE		00C	



SECTION A-A

NOTES:

1. ALL DIMENSIONS ARE IN INCHES MILLIMETERS IN BRACKETS.
2. ALL DIMENSIONS ARE REFERENCE ONLY.
3. DO NOT SCALE FROM DRAWING.
4. THIS DRAWING IS SUPPORTING DESIGN INFORMATION (SDI).
5. LID LIFTING FEATURES ARE BASED ON REFERENCES 3 & 9.
6. S31600 HAS ADDITIONAL CONTROLS ON CARBON AND NITROGEN.
7. FOR ORIGINAL SIGNATURES FOR REV 00A SEE CONTROLLED ARCHIVE.
8. THE PURGE PORT CAP CONTAINS METALLIC GASKETS, BUT THE MATERIAL MASSES ARE NEGLIGIBLE AND ARE NOT INCLUDED. SEE REFERENCE 8.

REFERENCE LIST:

1. Q-LIST. 000-30R-MGRO-00500-000-003, PAGE A-9.
2. HIGH-LEVEL RADIOACTIVE WASTE AND U.S. DEPARTMENT OF ENERGY AND NAVAL SPENT NUCLEAR FUEL TO THE MONITORED GEOLOGIC REPOSITORY. VOLUME 1 OF INTEGRATED INTERFACE CONTROL DOCUMENT. DOE/RW-0511 REV. 03, FIGURES C-17 & C-19.
3. SUPPLIER DOCUMENT 005128Q-0052-001-1, PAGE 2, FIGURE 2.
4. NAVAL LONG WASTE PACKAGE CONFIGURATION, 000-MW0-DNFO-00101-000 AND NAVAL LONG WASTE PACKAGE CONFIGURATION, 000-MW0-DNFO-00103-000.
5. BASIS OF DESIGN FOR THE TAD CANISTER-BASED REPOSITORY DESIGN CONCEPT 000-3DR-MGRO-00300-000-000.
6. 2001 ASME BOILER AND PRESSURE VESSEL CODE (INCLUDES 2002 ADDENDA). TIC: 251425.
7. ASTM G 1-90 (REAPPROVED 1999). STANDARD PRACTICE FOR PREPARING, CLEANING, AND EVALUATING CORROSION TEST SPECIMENS. TIC: 238771.
8. ASSESSMENT OF PROPOSED DEFINITION OF PURGE PORT CAP & GASKET MATERIAL. 000-30R-WISO-00600-000-00, ENTIRE.
9. SUPPLIER DOCUMENT 005128Q-0020-001-1, ENTIRE.

REV	DESCRIPTION	DATE	ORD	CHK	EGS	FE	REV	QCC
00C	EXTENSIVE REVISION: UPDATED NOMENCLATURE, NOTES, & REFERENCE LIST. REMOVED SECTION B-B. MOVED DIMENSIONS LOCATED IN SECTION B-B TO SECTION A-A.	9/27/07						
00B	UPDATED MASS INFO WITH NEW DIMENSIONS PER CR 6302. EXTENSIVE REVISION TO ACCOMMODATE DIMENSION AND FIXTURE CHANGES. MODIFIED NOTES AND REFORMATTED PER NEW PROCEDURES. ADDED REFERENCE LIST. REMOVED MIDDLE LID. REVISED TRUNNION. REVISED LIFTING RING.	11/17/06	JV	DS	MA	MJ	N/A	DS
00A	INITIAL ISSUE	9/24/03	ML	AS	AS	JC	N/A	DT

REVISION HISTORY

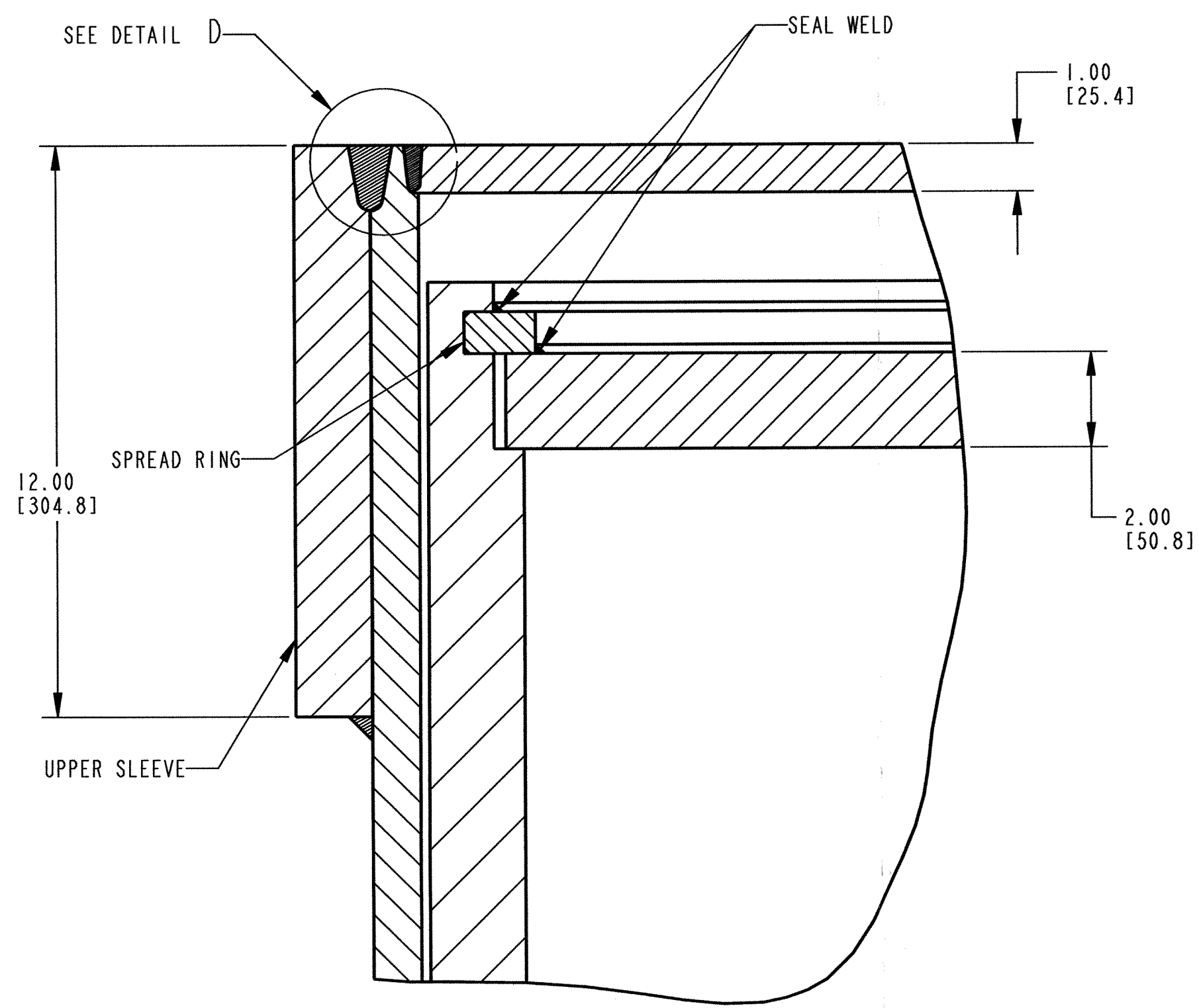
APPROVALS	INITIAL/DATE	U.S. DEPARTMENT OF ENERGY
ORIGINATOR	M. LEWIS	ML 9/19/03
CHECKER	A. SCHEIDER	AS 9/19/03
ENGINEERING GROUP SUPERVISOR	A. SCHEIDER	AS 9/19/03
PROJECT ENGINEER	N/A	N/A
DISCIPLINE ENGINEERING MANAGER	J. CLOUD	JC 9/24/03
DE CONCURRENCE	D. TUNNEY	DT 9/19/03

U.S. DEPARTMENT OF ENERGY
Office of Civilian Radioactive Waste Management
Management and Operation of the Office of Civilian Radioactive Waste Management Program

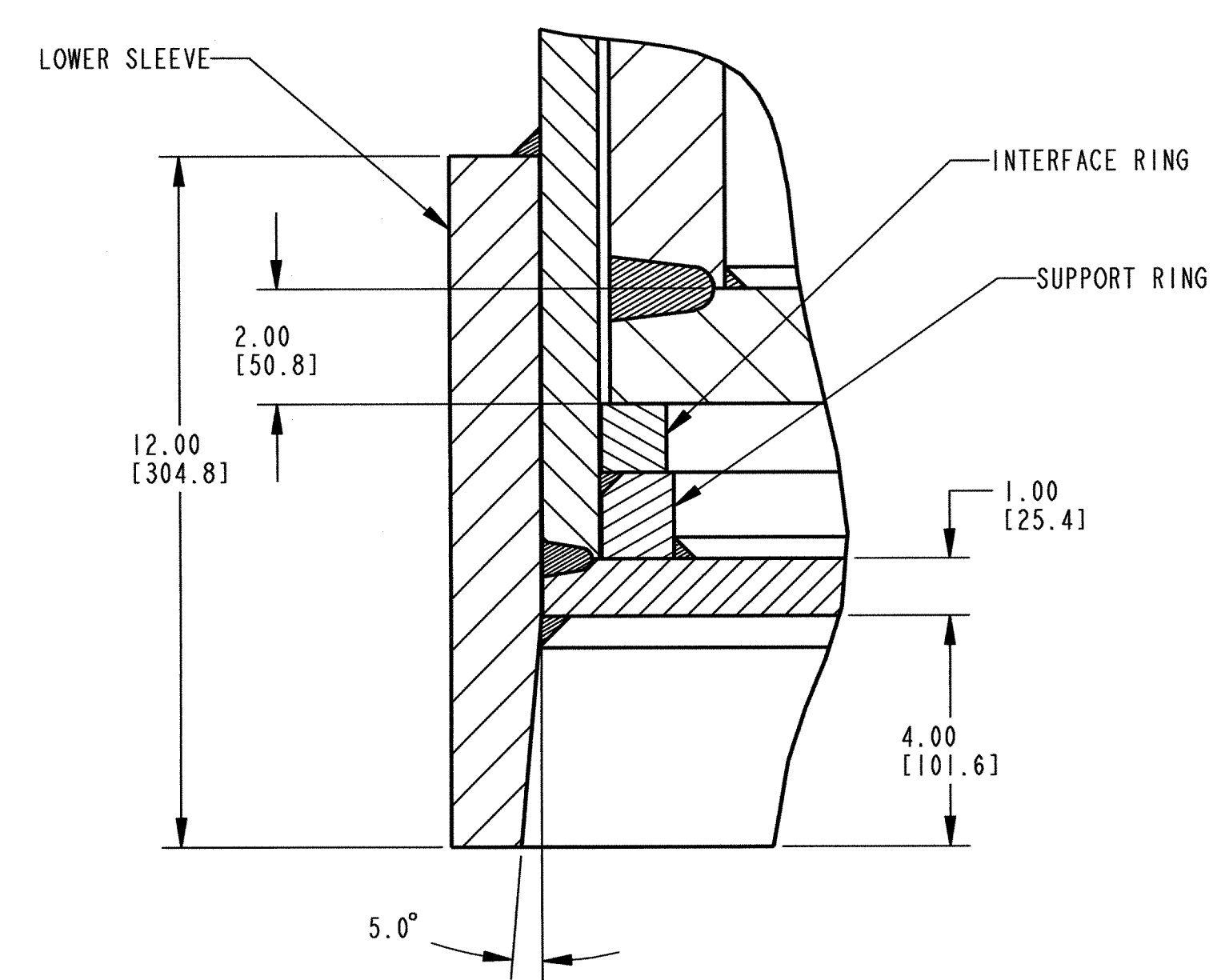
NAVAL LONG WASTE PACKAGE CONFIGURATION

SAFETY CLASSIFICATION: ITS & ITWI
DOCUMENT IDENTIFIER: 000-MW0-DNFO-00102-000
SIZE: D
SCALE: NONE
CAD FILE: 000-MW0-DNFO-00100-000.DRW
REV: 00C

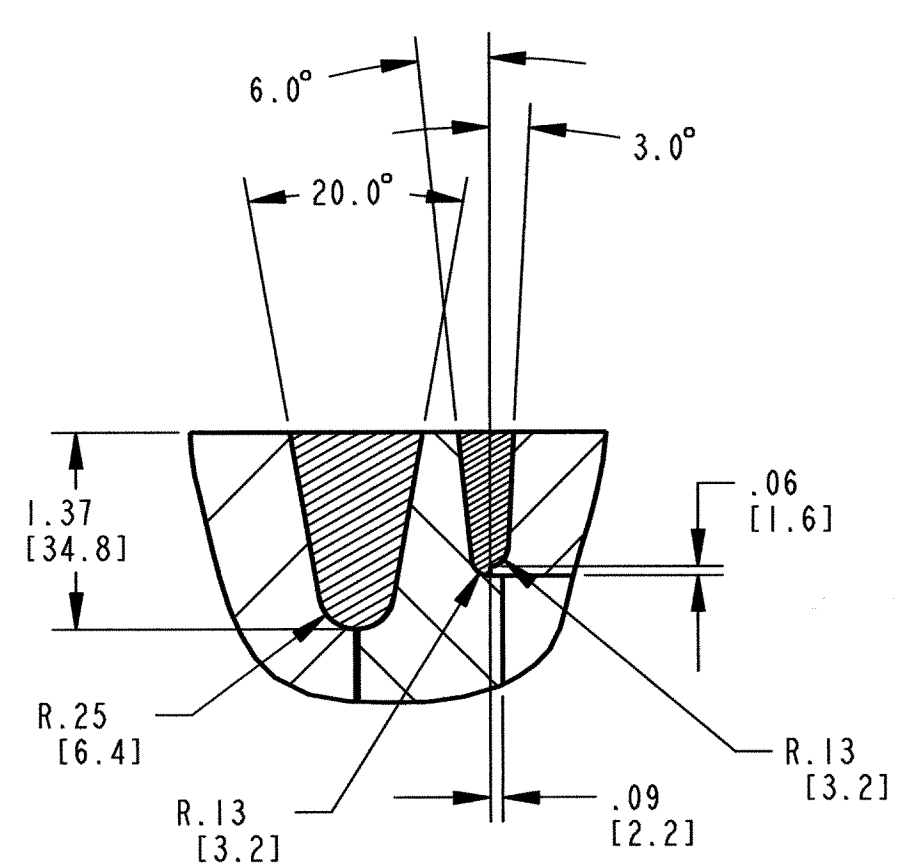
THIS DRAWING IS PRELIMINARY AND NOT INTENDED FOR CONSTRUCTION, PROCUREMENT OR FABRICATION.



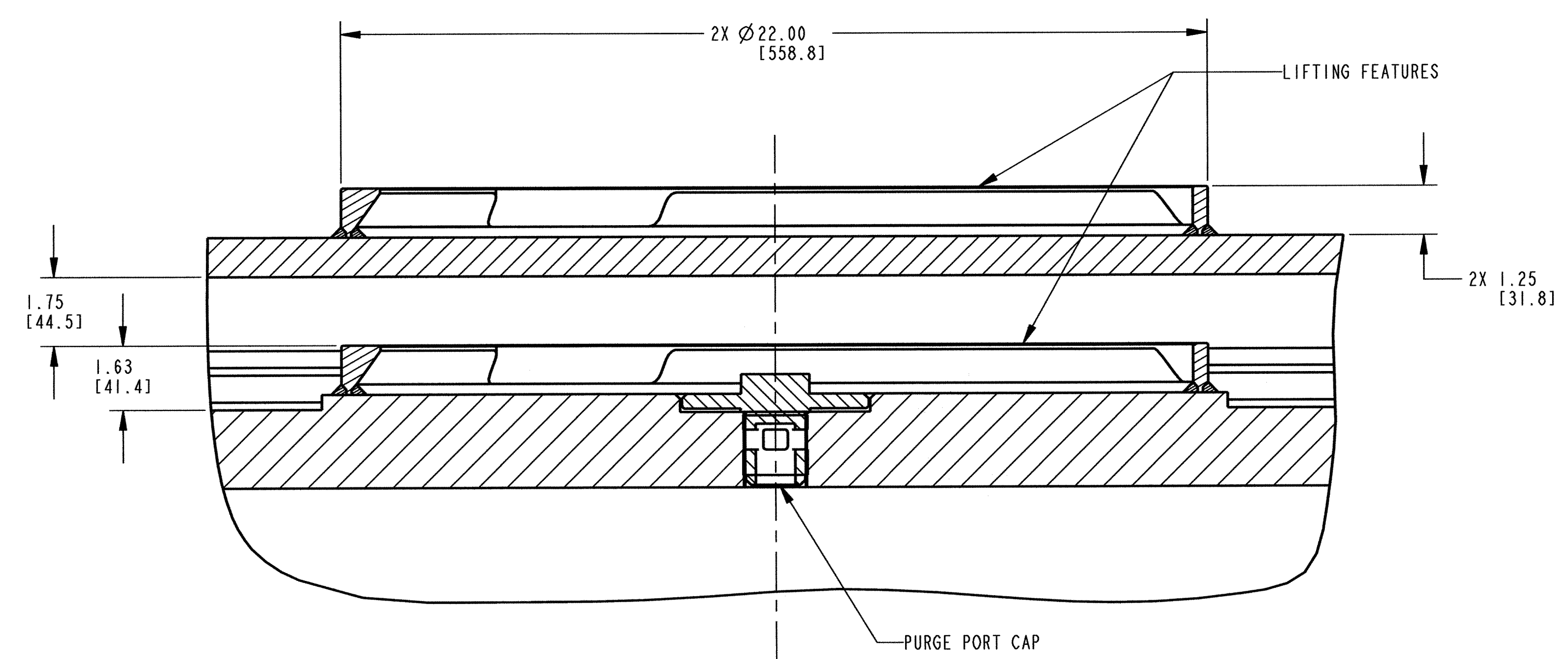
DETAIL A



DETAIL B



DETAIL D



DETAIL C

THIS DRAWING IS PRELIMINARY AND NOT INTENDED FOR CONSTRUCTION, PROCUREMENT OR FABRICATION.

NOTES:

1. ALL DIMENSIONS ARE IN INCHES MILLIMETERS IN BRACKETS.
2. ALL DIMENSIONS ARE REFERENCE ONLY.
3. DO NOT SCALE FROM DRAWING.
4. THIS DRAWING IS SUPPORTING DESIGN INFORMATION (SDI).
5. LID LIFTING FEATURES ARE BASED ON REFERENCES 3 & 9.
6. S31600 HAS ADDITIONAL CONTROLS ON CARBON AND NITROGEN.
7. FOR ORIGINAL SIGNATURES FOR REV 00A SEE CONTROLLED ARCHIVE.
8. THE PURGE PORT CAP CONTAINS METALLIC GASKETS, BUT THE MATERIAL MASSES ARE NEGLIGIBLE AND ARE NOT INCLUDED. SEE REFERENCE 8.

REFERENCE LIST:

1. Q-LIST. 000-30R-MGR0-00500-000-003, PAGE A-9.
2. HIGH-LEVEL RADIOACTIVE WASTE AND U.S. DEPARTMENT OF ENERGY AND NAVAL SPENT NUCLEAR FUEL TO THE MONITORED GEOLOGIC REPOSITORY. VOLUME 1 OF INTEGRATED INTERFACE CONTROL DOCUMENT. DOE/RW-0511 REV. 03, FIGURES C-17 & C-19.
3. SUPPLIER DOCUMENT 0051280-0052-001-1, PAGE 2, FIGURE 2.
4. NAVAL LONG WASTE PACKAGE CONFIGURATION. 000-MWO-DNFO-00101-000 AND NAVAL LONG WASTE PACKAGE CONFIGURATION, 000-MWO-DNFO-00102-000.
5. BASIS OF DESIGN FOR THE TAD CANISTER-BASED REPOSITORY DESIGN CONCEPT 000-3DR-MGR0-00300-000-000.
6. 2001 ASME BOILER AND PRESSURE VESSEL CODE (INCLUDES 2002 ADDENDA). TIC: 251425.
7. ASTM G 1-90 (REAPPROVED 1999). STANDARD PRACTICE FOR PREPARING, CLEANING, AND EVALUATING CORROSION TEST SPECIMENS. TIC: 238771.
8. ASSESSMENT OF PROPOSED DEFINITION OF PURGE PORT CAP & GASKET MATERIAL. 000-30R-WIS0-00600-000-00, ENTIRE.
9. SUPPLIER DOCUMENT 0051280-0020-001-1, ENTIRE.

REVISION HISTORY									
REV	DESCRIPTION	DATE	ORIG	CHK	ESG	PE	DEM	SEC	
00C	EXTENSIVE REVISION; UPDATED NOMENCLATURE, NOTES, & REFERENCE LIST. ADDED DETAIL D. REMOVED EXTRA DIMENSIONS FROM DETAILS A AND B. ADDED DIMS 1.75 AND 1.63 TO DETAIL C.	9/27/07							
00B	UPDATED MASS INFO WITH NEW DIMENSIONS PER CR 6302. EXTENSIVE REVISION TO ACCOMMODATE DIMENSION AND FIXTURE CHANGES. MODIFIED NOTES AND REFORMATTED PER NEW PROCEDURES. ADDED REFERENCE LIST. REMOVED MIDDLE LID. REVISED TRUNNION. REVISED LIFTING RING.	11/17/06	JV	DS	NA	MJ	N/A	DS	
00A	INITIAL ISSUE	9/24/03	ML	AS	AS	JC	N/A	DT	

APPROVALS	INITIAL/DATE	U.S. DEPARTMENT OF ENERGY Office of Civilian Radioactive Waste Management							
ORIGINATOR M. LEWIS	ML 9/19/03	Management and Operation of the Office of Civilian Radioactive Waste Management Program BECHTEL SAIC COMPANY LLC							
CHECKER A. SCHEIDER	AS 9/19/03								
ENGINEERING GROUP SUPERVISOR A. SCHEIDER	AS 9/19/03								
PROJECT ENGINEER N/A	N/A								
DISCIPLINE ENGINEERING MANAGER J. CLOUD		JC 9/24/03	SAFETY CLASSIFICATION ITS & ITWI		DOCUMENT IDENTIFIER: 000-MWO-DNFO-00103-000				
DATE OF CONCURRENCE D. TUNNEY		DT 9/19/03	SIZE SCALE D NONE		CAP FILE 000-MWO-DNFO-00100-000.DRW		REV 00C		