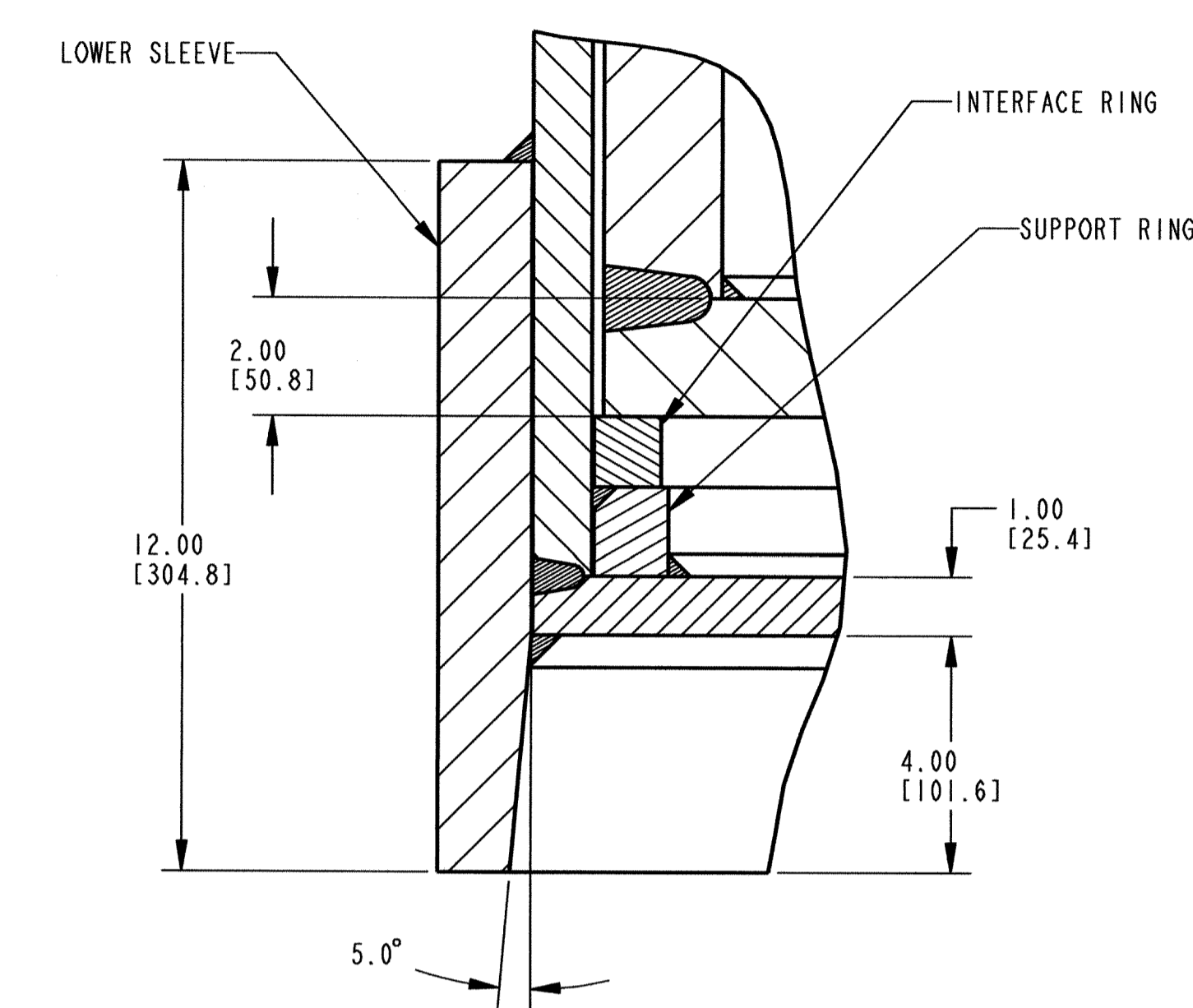
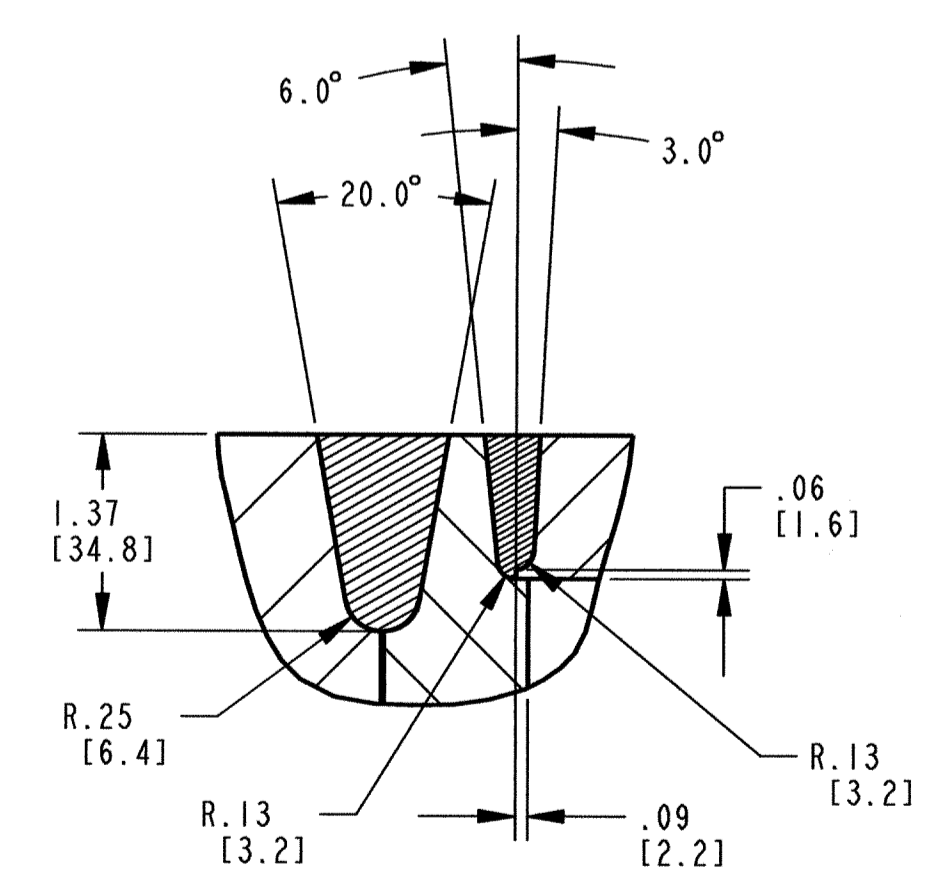


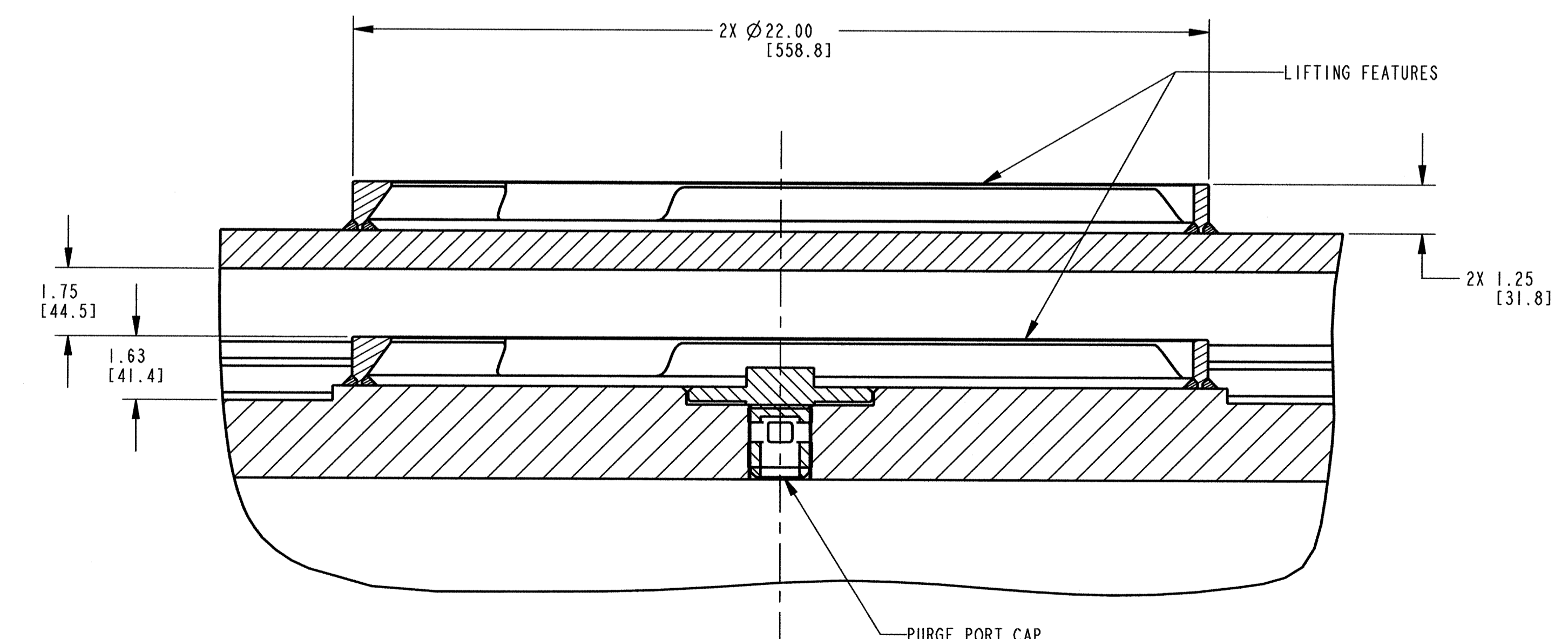
DETAIL A



DETAIL B



DETAIL D



DETAIL C

THIS DRAWING IS PRELIMINARY AND NOT INTENDED FOR CONSTRUCTION, PROCUREMENT OR FABRICATION.

NOTES:

1. ALL DIMENSIONS ARE IN INCHES MILLIMETERS IN BRACKETS.
2. ALL DIMENSIONS ARE REFERENCE ONLY.
3. DO NOT SCALE FROM DRAWING.
4. THIS DRAWING IS SUPPORTING DESIGN INFORMATION (SDI).
5. LID LIFTING FEATURES ARE BASED ON REFERENCES 3 & 9.
6. S31600 HAS ADDITIONAL CONTROLS ON CARBON AND NITROGEN.
7. FOR ORIGINAL SIGNATURES FOR REV 00A SEE CONTROLLED ARCHIVE.
8. THE PURGE PORT CAP CONTAINS METALLIC GASKETS, BUT THE MATERIAL MASSES ARE NEGLIGIBLE AND ARE NOT INCLUDED. SEE REFERENCE 8.

REFERENCE LIST:

1. Q-LIST. 000-30R-MGRO-00500-000-003, PAGE A-7.
2. TRANSPORT, AGING, AND DISPOSAL CANISTER SYSTEM PRELIMINARY PERFORMANCE SPECIFICATION REPORT, 000-30R-MGRO-01200-000-001, APPENDIX A, GENERAL PERFORMANCE REQUIREMENTS 3.1.1 AND 3.1.2.
3. SUPPLIER DOCUMENT 005128Q-0052-001-1, PAGE 2, FIGURE 2.
4. TAD WASTE PACKAGE CONFIGURATION, 000-MW0-DSCO-00101-000 AND TAD WASTE PACKAGE CONFIGURATION, 000-MW0-DSCO-00102-000.
5. BASIS OF DESIGN FOR THE TAD CANISTER-BASED REPOSITORY DESIGN CONCEPT 000-3DR-MGRO-00300-000-000.
6. 2001 ASME BOILER AND PRESSURE VESSEL CODE (INCLUDES 2002 ADDENDA). TIC: 251425.
7. ASTM G 1-90 (REAPPROVED 1999). STANDARD PRACTICE FOR PREPARING, CLEANING, AND EVALUATING CORROSION TEST SPECIMENS. TIC: 238771.
8. ASSESSMENT OF PROPOSED DEFINITION OF PURGE PORT CAP & GASKET MATERIAL. 000-30R-WISO-00600-000-00, ENTIRE.
9. SUPPLIER DOCUMENT 005128Q-0020-001-1, ENTIRE.

00B	EXTENSIVE REVISION: UPDATED NOMENCLATURE, NOTES, & REFERENCE LIST. ADDED DETAIL D. REMOVED EXTRA DIMENSIONS FROM DETAILS A AND B. ADDED DIMS 1.75 AND 1.63 TO DETAIL C.	2/27/07	JV	DS	MA	MJ	N/A	DT
00A	INITIAL ISSUE	11/17/06	JV	DS	MA	MJ	N/A	DT
REV	DESCRIPTION	DATE	ORIG	CHK	EGS	FE	DEW	DEC
REVISION HISTORY								
APPROVALS			INITIAL/DATE					
U.S. DEPARTMENT OF ENERGY Office of Civilian Radioactive Waste Management								
Management and Operation of the Office of Civilian Radioactive Waste Management Program								
ORIGINATOR	J. VIGGATO	JV	11/17/06					
CHECKER	D. SMITH	DS	11/17/06					
ENGINEERING GROUP SUPERVISOR	M. ANDERSON	MA	11/17/06					
PROJECT ENGINEER	M. JOHNSON	MJ	11/17/06					
DISCIPLINE ENGINEERING MANAGER	N/A	N/A						
DATE OF CONCURRENCE	D. TUNNEY	DT	11/17/06					
SAFETY CLASSIFICATION		DOCUMENT IDENTIFIER:						
N/A		ITS & ITWI		000-MW0-DSCO-00103-000				
SIZE		SCALE		CAP FILE		REV		
D		NONE		000-MW0-DSCO-00100-000.DRW		00B		