

NOTES:

1. ALL DIMENSIONS ARE IN INCHES MILLIMETERS IN BRACKETS.
2. ALL DIMENSIONS ARE REFERENCE ONLY.
3. DO NOT SCALE FROM DRAWING.
4. THIS DRAWING IS SUPPORTING DESIGN INFORMATION (SDI).
5. LID LIFTING FEATURES ARE BASED ON REFERENCES 3 & 9.
6. S31600 HAS ADDITIONAL CONTROLS ON CARBON AND NITROGEN.
7. FOR ORIGINAL SIGNATURES FOR REV 00A SEE CONTROLLED ARCHIVE.
8. THE PURGE PORT CAP CONTAINS METALLIC GASKETS, BUT THE MATERIAL MASSES ARE NEGLIGIBLE AND ARE NOT INCLUDED. SEE REFERENCE 8.

REFERENCE LIST:

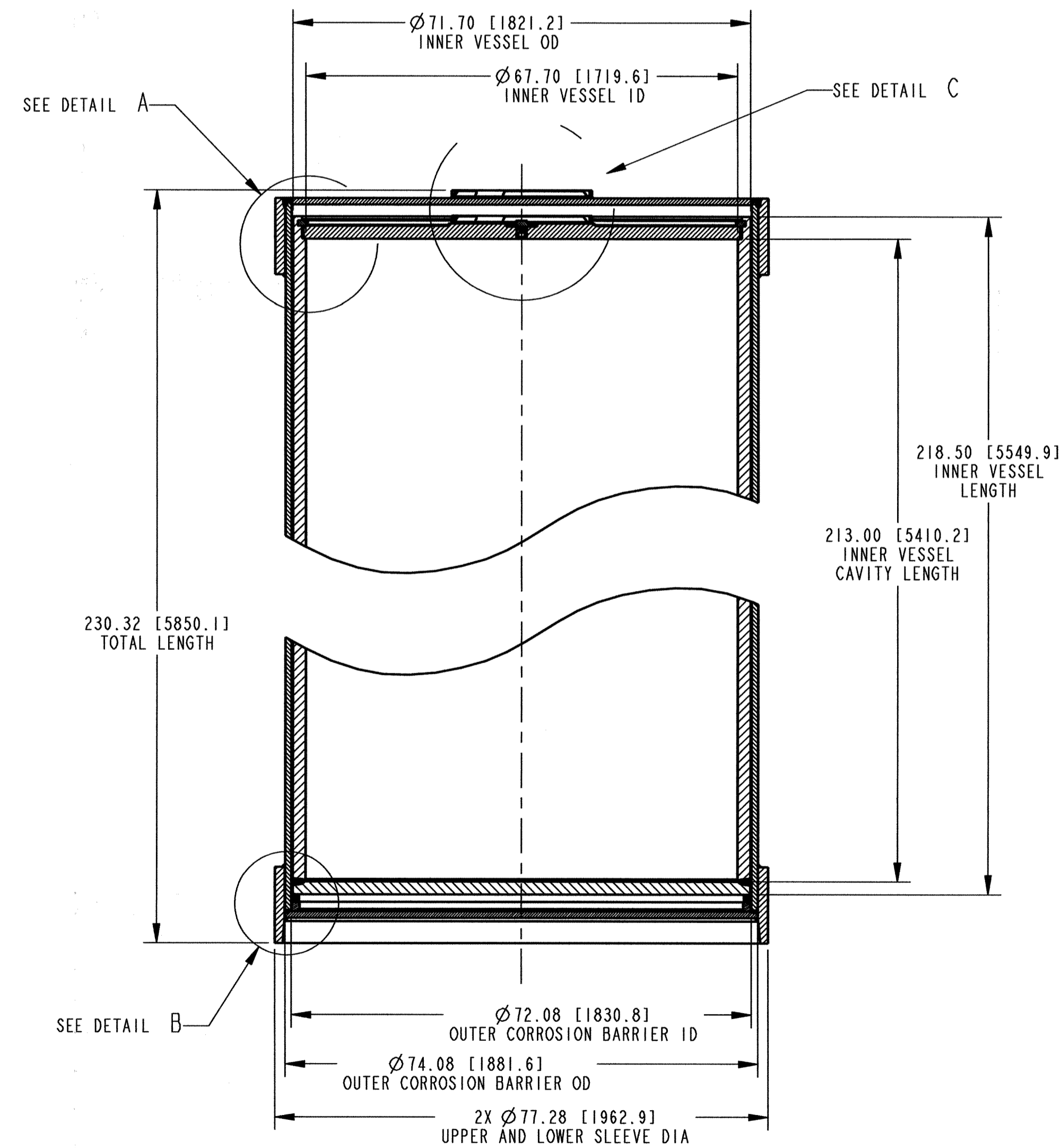
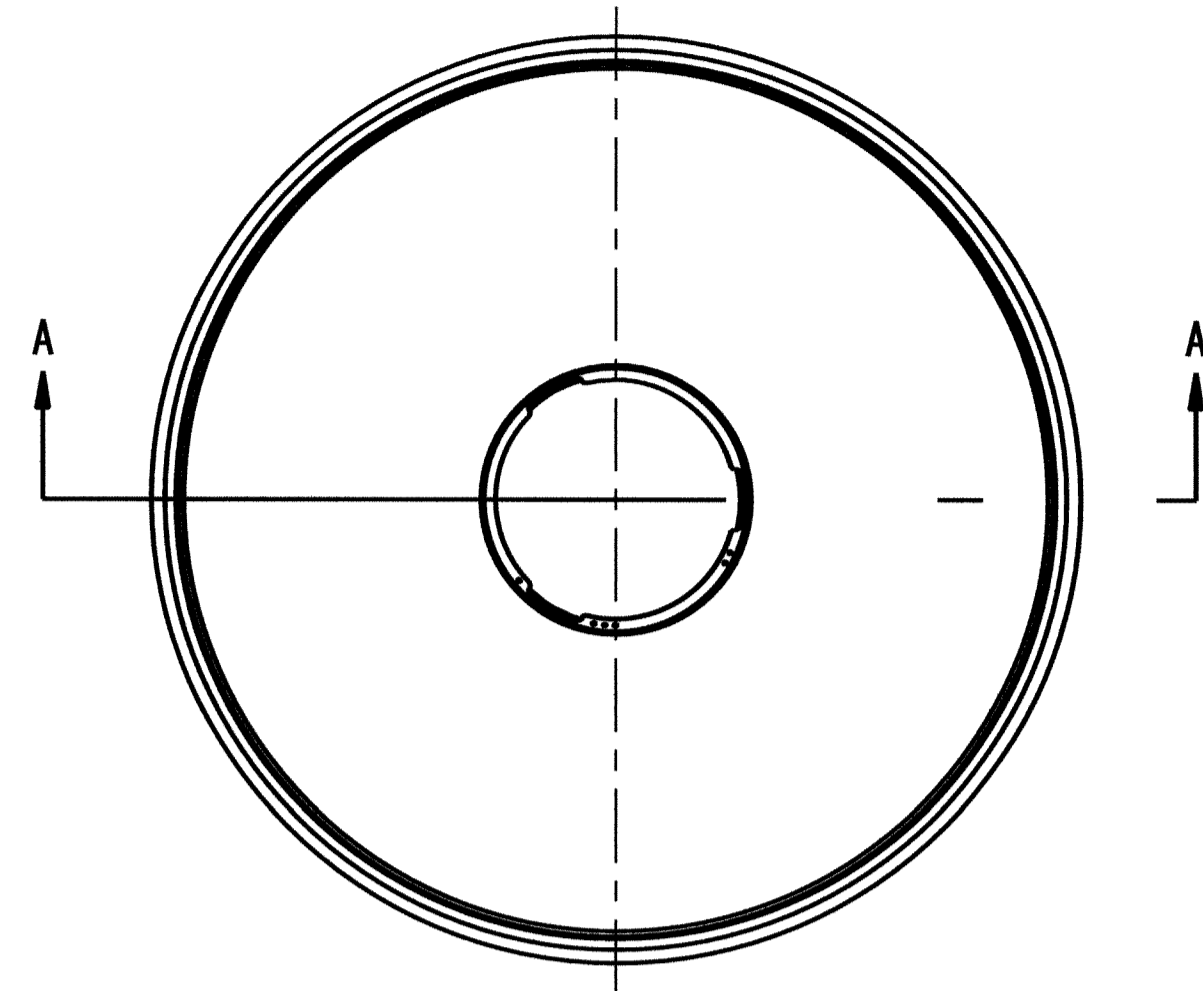
1. Q-LIST. 000-30R-MGR0-00500-000-003, PAGE A-7.
2. TRANSPORT, AGING, AND DISPOSAL CANISTER SYSTEM PRELIMINARY PERFORMANCE SPECIFICATION REPORT, 000-30R-MGR0-01200-000-001, APPENDIX A, GENERAL PERFORMANCE REQUIREMENTS 3.1.1 AND 3.1.2.
3. SUPPLIER DOCUMENT 0051280-0052-001-1, PAGE 2, FIGURE 2.
4. TAD WASTE PACKAGE CONFIGURATION, 000-MW0-DSC0-00102-000 AND TAD WASTE PACKAGE CONFIGURATION, 000-MW0-DSC0-00103-000.
5. BASIS OF DESIGN FOR THE TAD CANISTER-BASED REPOSITORY DESIGN CONCEPT 000-3DR-MGR0-00300-000-000.
6. 2001 ASME BOILER AND PRESSURE VESSEL CODE (INCLUDES 2002 ADDENDA). TIC: 251425.
7. ASTM G 1-90 (REAPPROVED 1999). STANDARD PRACTICE FOR PREPARING, CLEANING, AND EVALUATING CORROSION TEST SPECIMENS. TIC: 238771.
8. ASSESSMENT OF PROPOSED DEFINITION OF PURGE PORT CAP & GASKET MATERIAL. 000-30R-WIS0-00600-000-00, ENTIRE.
9. SUPPLIER DOCUMENT 0051280-0020-001-1, ENTIRE.

COMPONENT NAME	MATERIAL	QTY REQ
OUTER LID	SB-575 (UNS N06022)	1
SPREAD RING	SA-240 (UNS S31600)	1
PURGE PORT CAP	SA-240 (UNS S31600)	1
INNER LID	SA-240 (UNS S31600)	1
INNER VESSEL	SA-240 (UNS S31600)	1
INTERFACE RING (SEE 000-MW0-DSC0-00103-000)	SA-240 (UNS S31600)	1
OUTER CORROSION BARRIER	SB-575 (UNS N06022)	1
UPPER SLEEVE	SB-575 (UNS N06022)	1
LOWER SLEEVE	SB-575 (UNS N06022)	1
SUPPORT RING (SEE 000-MW0-DSC0-00103-000)	SB-575 (UNS N06022)	1

NOMINAL LENGTH	NOMINAL DIAMETER	WASTE PACKAGE ASSY	LOADED MASS
230.32 IN	77.28 IN	53,500 LBM	162,000 LBM
5850.1 MM	1962.9 MM	24,300 KG	73,500 KG

THIS DRAWING IS PRELIMINARY AND NOT INTENDED FOR CONSTRUCTION, PROCUREMENT OR FABRICATION.

00B	EXTENSIVE REVISION: ADDED UPPER SLEEVE, LOWER SLEEVE AND PURGE PORT CAP TO COMPONENT TABLE. UPDATED NOMENCLATURE, NOTES, & REFERENCE LIST.	2/6/07	JV	DS	MA	MJ	N/A	DT
00A	INITIAL ISSUE	11/17/06	JV	DS	MA	MJ	N/A	DT
REV	DESCRIPTION	DATE	ORG	CHK	EGS	PE	DEM	DEC
REVISION HISTORY								
APPROVALS			INITIAL/DATE					
<b>U.S. DEPARTMENT OF ENERGY</b> Office of Civilian Radioactive Waste Management								
Management and Operation of the Office of SAIC Civilian Radioactive Waste Management Program								
ORIGINATOR	J. VIGGATO	JV	11/17/06					
CHECKER	D. SMITH	DS	11/17/06					
ENGINEERING GROUP SUPERVISOR	M. ANDERSON	MA	11/17/06					
PROJECT ENGINEER	M. JOHNSON	MJ	11/17/06					
DISCIPLINE ENGINEERING MANAGER	N/A	N/A						
SAFETY CLASSIFICATION	ITS & ITW1	DOCUMENT IDENTIFIER: 000-MW0-DSC0-00101-000						
QC CONCURRENCE	D. TUNNEY	DT	11/17/06	SIZE	SCALE	CAD FILE	REV	
				D	NONE	000-MW0-DSC0-00100-000.DRW	00B	



SECTION A-A

NOTES:

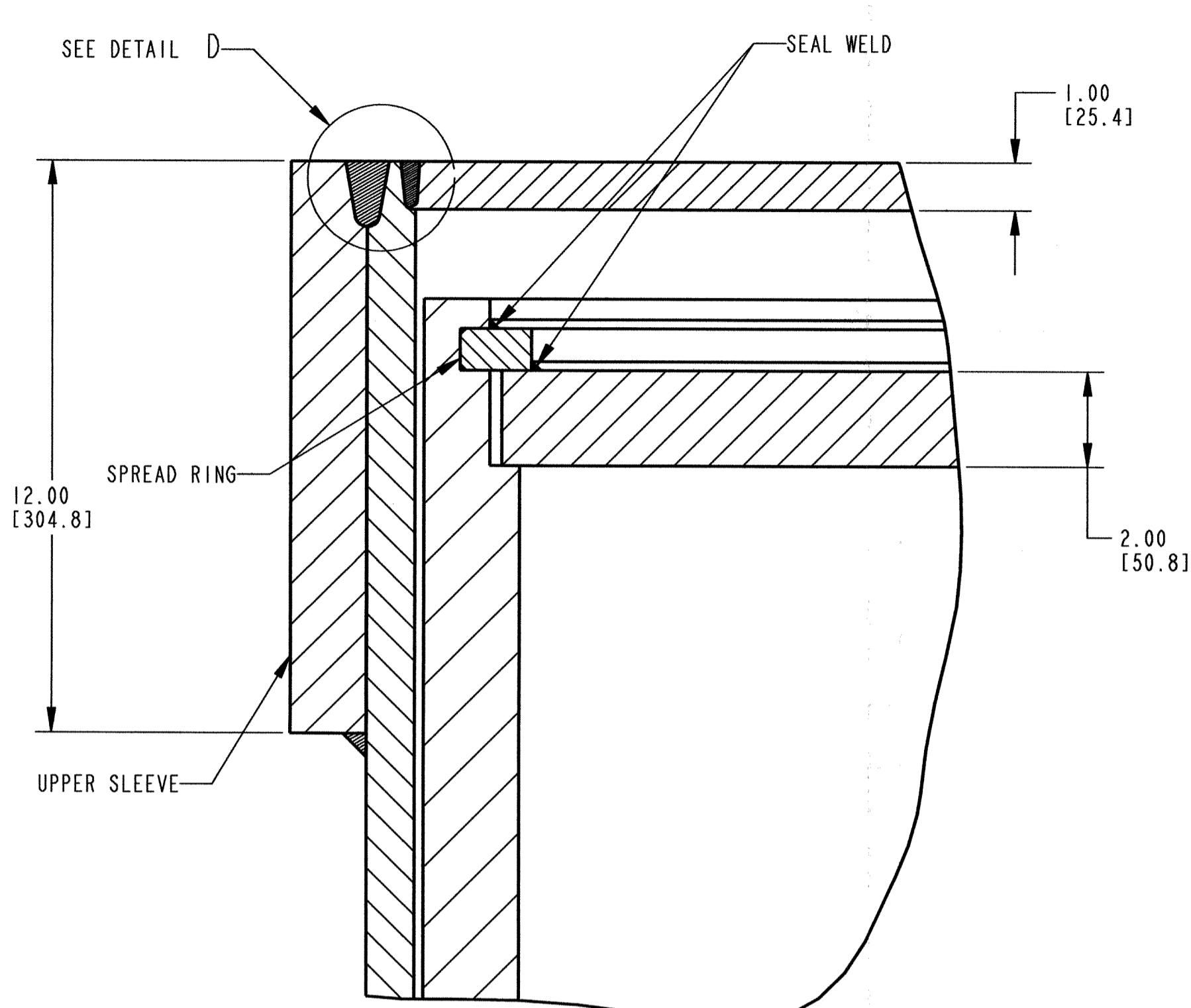
1. ALL DIMENSIONS ARE IN INCHES MILLIMETERS IN BRACKETS.
2. ALL DIMENSIONS ARE REFERENCE ONLY.
3. DO NOT SCALE FROM DRAWING.
4. THIS DRAWING IS SUPPORTING DESIGN INFORMATION (SDI).
5. LID LIFTING FEATURES ARE BASED ON REFERENCES 3 & 9.
6. S31600 HAS ADDITIONAL CONTROLS ON CARBON AND NITROGEN.
7. FOR ORIGINAL SIGNATURES FOR REV 00A SEE CONTROLLED ARCHIVE.
8. THE PURGE PORT CAP CONTAINS METALLIC GASKETS, BUT THE MATERIAL MASSES ARE NEGLIGIBLE AND ARE NOT INCLUDED. SEE REFERENCE 8.

REFERENCE LIST:

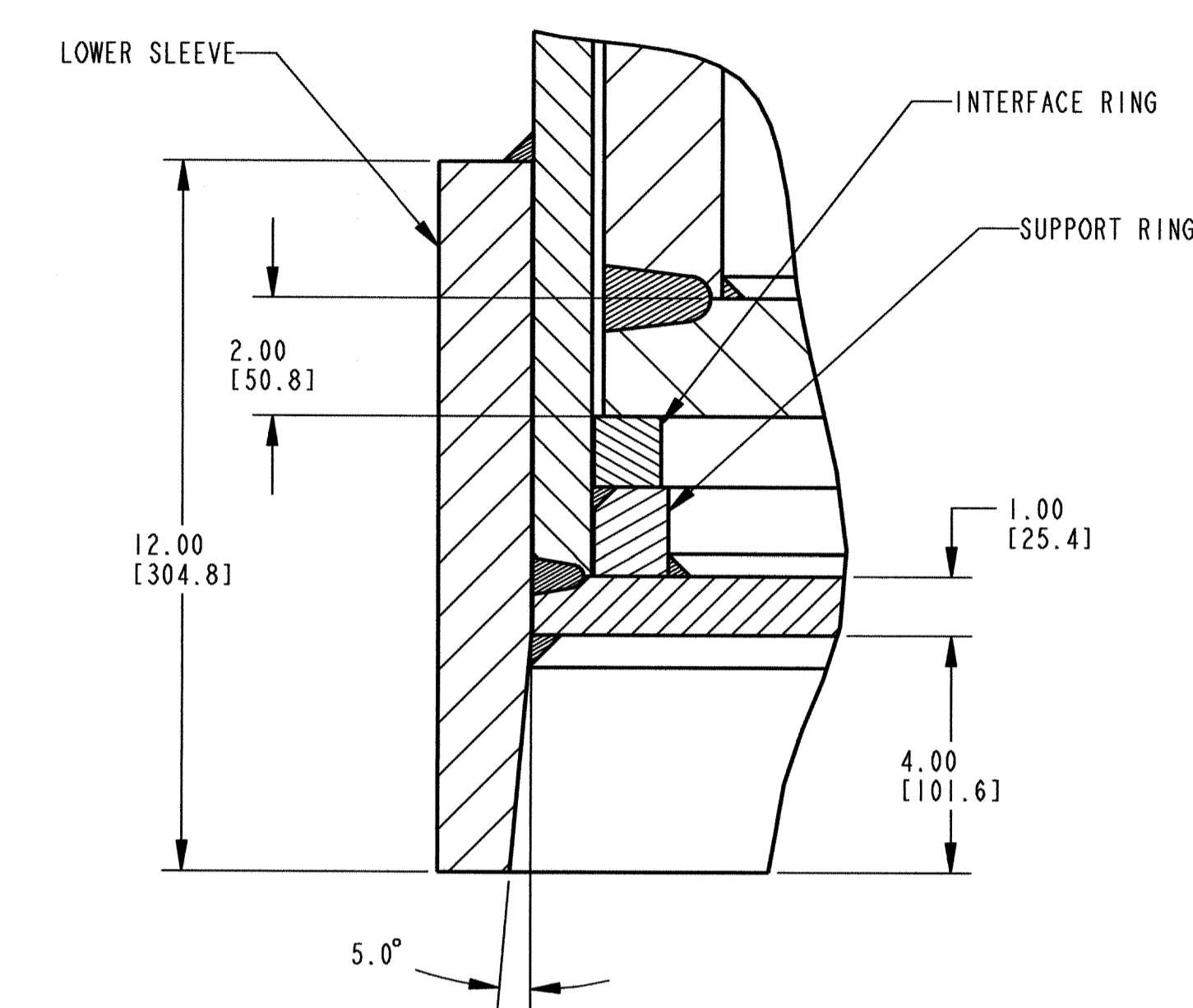
1. Q-LIST. 000-30R-MGR0-00500-000-003, PAGE A-7.
2. TRANSPORT, AGING, AND DISPOSAL CANISTER SYSTEM PRELIMINARY PERFORMANCE SPECIFICATION REPORT, 000-30R-MGR0-01200-000-001, APPENDIX A, GENERAL PERFORMANCE REQUIREMENTS 3.1.1 AND 3.1.2.
3. SUPPLIER DOCUMENT 005128Q-0052-001-1, PAGE 2, FIGURE 2.
4. TAD WASTE PACKAGE CONFIGURATION, 000-MW0-DSC0-00101-000 AND TAD WASTE PACKAGE CONFIGURATION, 000-MW0-DSC0-00103-000.
5. BASIS OF DESIGN FOR THE TAD CANISTER-BASED REPOSITORY DESIGN CONCEPT 000-3DR-MGR0-00300-000-000.
6. 2001 ASME BOILER AND PRESSURE VESSEL CODE (INCLUDES 2002 ADDENDA). TIC: 251425.
7. ASTM G 1-90 (REAPPROVED 1999). STANDARD PRACTICE FOR PREPARING, CLEANING, AND EVALUATING CORROSION TEST SPECIMENS. TIC: 238771.
8. ASSESSMENT OF PROPOSED DEFINITION OF PURGE PORT CAP & GASKET MATERIAL. 000-30R-WIS0-00600-000-00, ENTIRE.
9. SUPPLIER DOCUMENT 005128Q-0020-001-1, ENTIRE.

THIS DRAWING IS PRELIMINARY AND NOT INTENDED FOR CONSTRUCTION, PROCUREMENT OR FABRICATION.

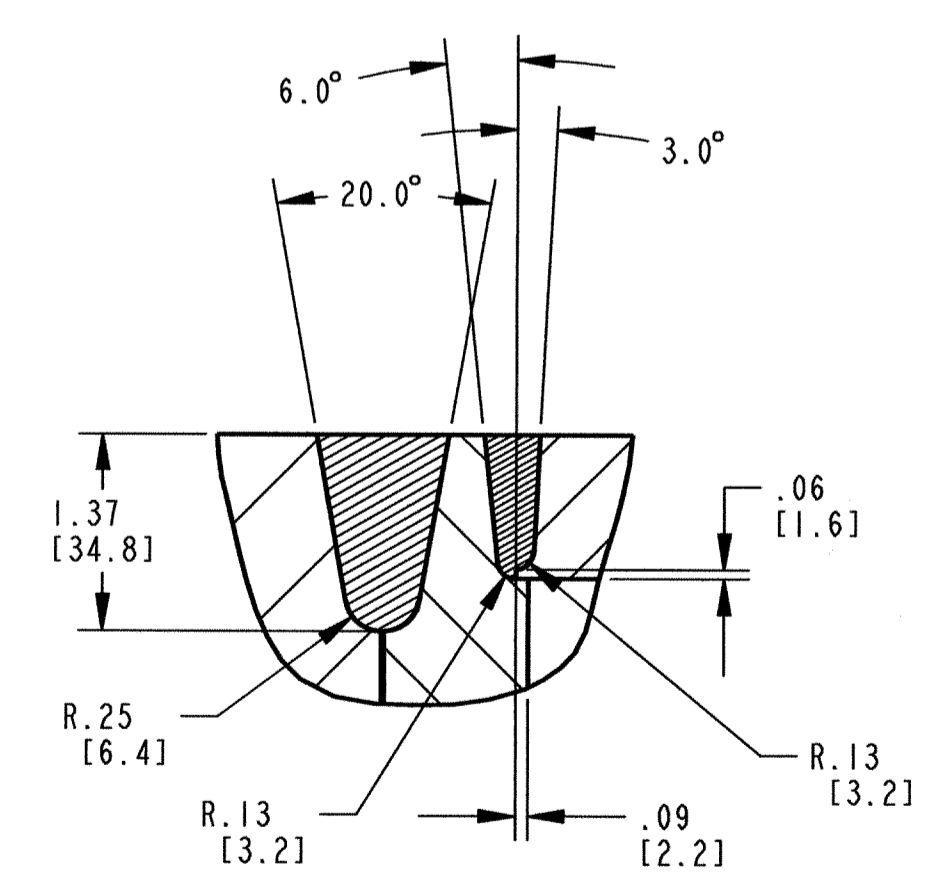
00B	EXTENSIVE REVISION: UPDATED NOMENCLATURE, NOTES, & REFERENCE LIST. REMOVED SECTION B-B. MOVED DIMENSIONS LOCATED IN SECTION B-B TO SECTION A-A.	4/27/07	JV	DS	MA	MJ	N/A	DT
00A	INITIAL ISSUE	11/17/06	JV	DS	MA	MJ	N/A	DT
REV	DESCRIPTION	DATE	ORG	CHK	EGS	FE	DEM	DEC
REVISION HISTORY								
<b>U.S. DEPARTMENT OF ENERGY</b> Office of Civilian Radioactive Waste Management								
ORIGINATOR	J. VIGGATO	JV	11/17/06	Management and Operation of the Office of Civilian Radioactive Waste Management Program				
CHECKER	D. SMITH	DS	11/17/06	SAIC COMPANY, LLC				
ENGINEERING GROUP SUPERVISOR	M. ANDERSON	MA	11/17/06	TAD WASTE PACKAGE CONFIGURATION				
PROJECT ENGINEER	M. JOHNSON	MJ	11/17/06					
DISCIPLINE ENGINEERING MANAGER	N/A	N/A		SAFETY CLASSIFICATION		DOCUMENT IDENTIFIER:		
DE CONCURRENCE	D. TUNNEY	DT	11/17/06	ITS & ITWI	000-MW0-DSC0-00102-000			
				SIZE	SCALE	CAD FILE	REV	
				D	NONE	000-MW0-DSC0-00100-000.DRW	00B	



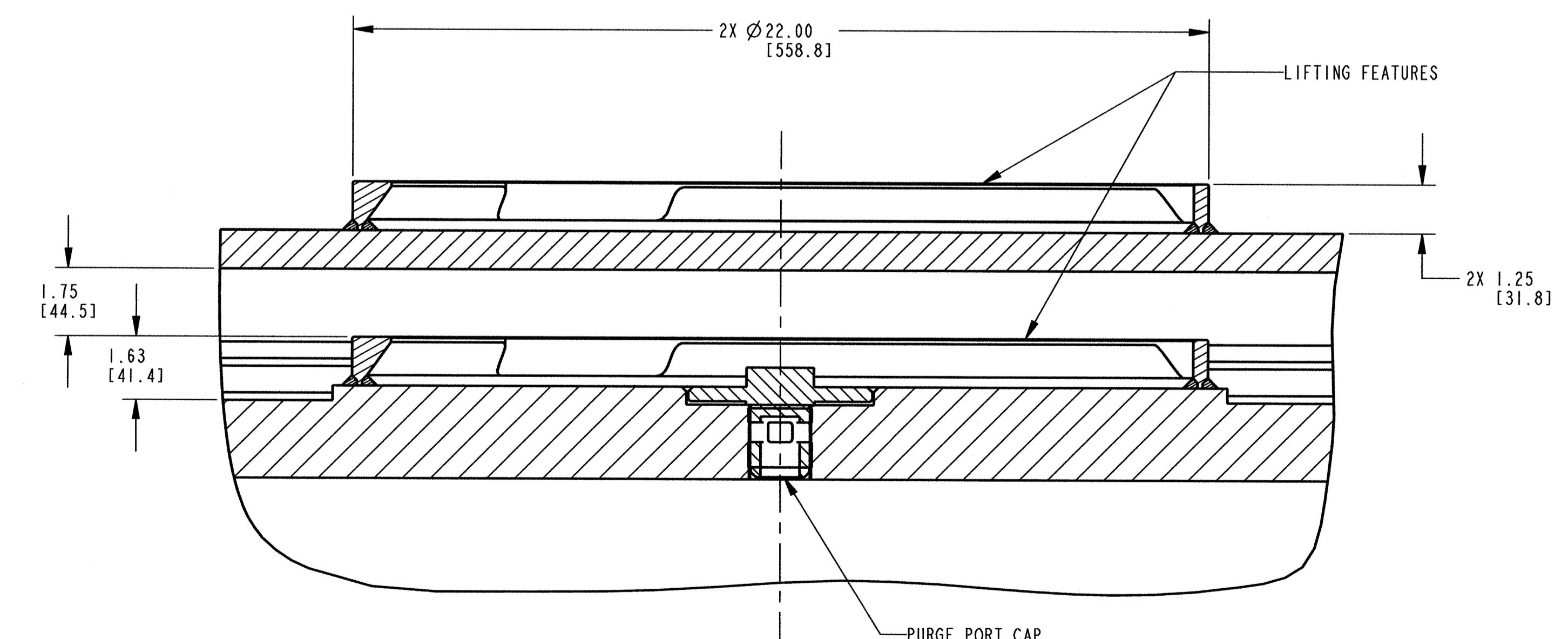
DETAIL A



DETAIL B



DETAIL D



DETAIL C

THIS DRAWING IS PRELIMINARY AND NOT INTENDED FOR CONSTRUCTION, PROCUREMENT OR FABRICATION.

NOTES:

1. ALL DIMENSIONS ARE IN INCHES MILLIMETERS IN BRACKETS.
2. ALL DIMENSIONS ARE REFERENCE ONLY.
3. DO NOT SCALE FROM DRAWING.
4. THIS DRAWING IS SUPPORTING DESIGN INFORMATION (SDI).
5. LID LIFTING FEATURES ARE BASED ON REFERENCES 3 & 9.
6. S31600 HAS ADDITIONAL CONTROLS ON CARBON AND NITROGEN.
7. FOR ORIGINAL SIGNATURES FOR REV 00A SEE CONTROLLED ARCHIVE.
8. THE PURGE PORT CAP CONTAINS METALLIC GASKETS, BUT THE MATERIAL MASSES ARE NEGLIGIBLE AND ARE NOT INCLUDED. SEE REFERENCE 8.

REFERENCE LIST:

1. Q-LIST. 000-30R-MGRO-00500-000-003, PAGE A-7.
2. TRANSPORT, AGING, AND DISPOSAL CANISTER SYSTEM PRELIMINARY PERFORMANCE SPECIFICATION REPORT, 000-30R-MGRO-01200-000-001, APPENDIX A, GENERAL PERFORMANCE REQUIREMENTS 3.1.1 AND 3.1.2.
3. SUPPLIER DOCUMENT 005128Q-0052-001-1, PAGE 2, FIGURE 2.
4. TAD WASTE PACKAGE CONFIGURATION, 000-MW0-DSCO-00101-000 AND TAD WASTE PACKAGE CONFIGURATION, 000-MW0-DSCO-00102-000.
5. BASIS OF DESIGN FOR THE TAD CANISTER-BASED REPOSITORY DESIGN CONCEPT 000-3DR-MGRO-00300-000-000.
6. 2001 ASME BOILER AND PRESSURE VESSEL CODE (INCLUDES 2002 ADDENDA). TIC: 251425.
7. ASTM G 1-90 (REAPPROVED 1999). STANDARD PRACTICE FOR PREPARING, CLEANING, AND EVALUATING CORROSION TEST SPECIMENS. TIC: 238771.
8. ASSESSMENT OF PROPOSED DEFINITION OF PURGE PORT CAP & GASKET MATERIAL. 000-30R-WISO-00600-000-00, ENTIRE.
9. SUPPLIER DOCUMENT 005128Q-0020-001-1, ENTIRE.

00B	EXTENSIVE REVISION: UPDATED NOMENCLATURE, NOTES, & REFERENCE LIST. ADDED DETAIL D. REMOVED EXTRA DIMENSIONS FROM DETAILS A AND B. ADDED DIMS 1.75 AND 1.63 TO DETAIL C.	2/27/07	JV	DS	MA	MJ	N/A	DT
00A	INITIAL ISSUE	11/17/06	JV	DS	MA	MJ	N/A	DT
REV	DESCRIPTION	DATE	ORIG	CHK	EGS	FE	DEW	DEC
REVISION HISTORY								
APPROVALS			INITIAL/DATE					
<b>U.S. DEPARTMENT OF ENERGY</b> Office of Civilian Radioactive Waste Management								
Management and Operation of the Office of Civilian Radioactive Waste Management Program								
ORIGINATOR	J. VIGGATO	JV	11/17/06					
CHECKER	D. SMITH	DS	11/17/06					
ENGINEERING GROUP SUPERVISOR	M. ANDERSON	MA	11/17/06					
PROJECT ENGINEER	M. JOHNSON	MJ	11/17/06					
DISCIPLINE ENGINEERING MANAGER	N/A	N/A						
DE CONCURRENCE	D. TUNNEY	DT	11/17/06					
SAFETY CLASSIFICATION		DOCUMENT IDENTIFIER:						
N/A		ITS & ITWI		000-MW0-DSCO-00103-000				
SIZE		SCALE		CAP FILE		REV		
D		NONE		000-MW0-DSCO-00100-000.DRW		00B		