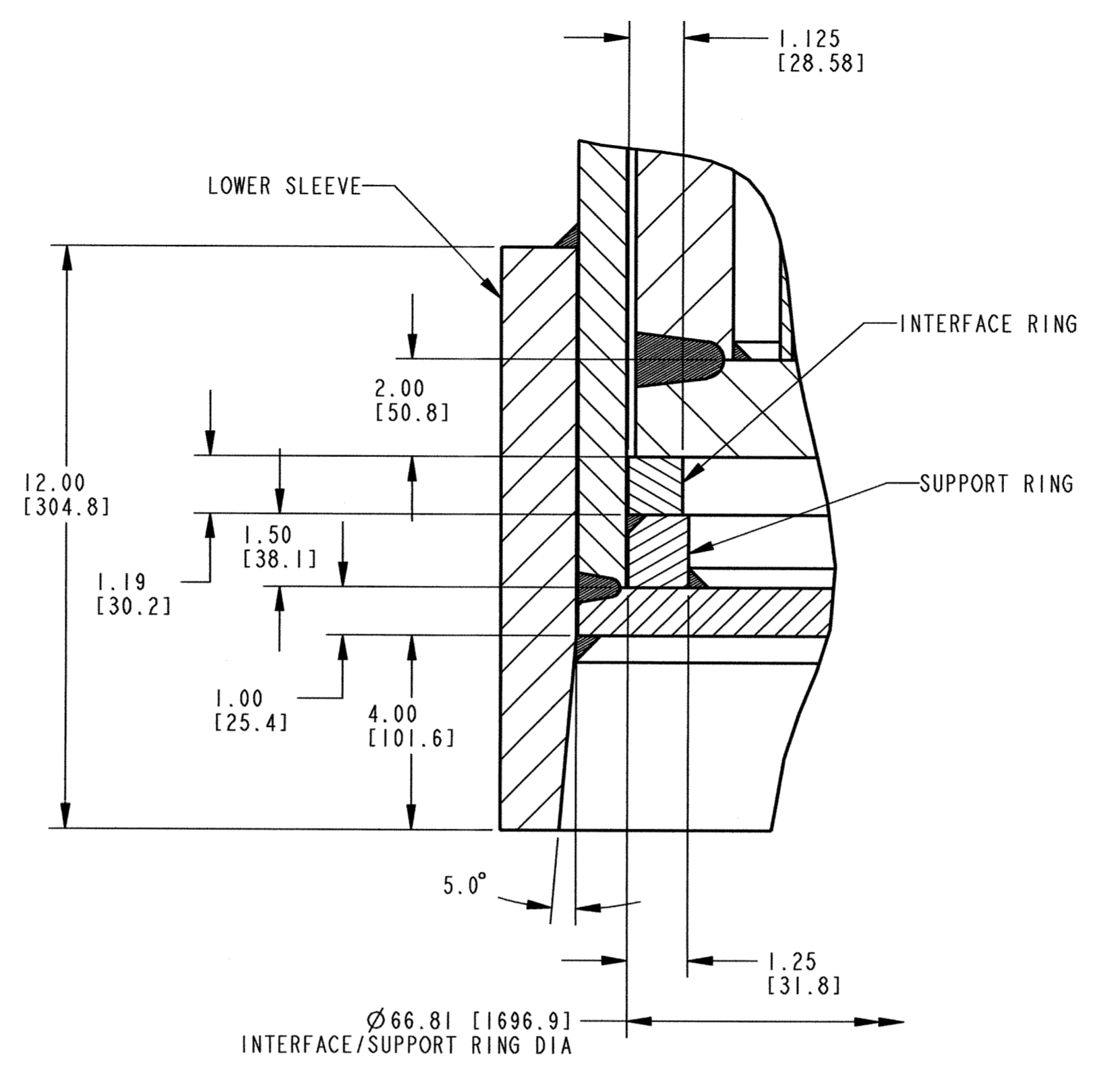
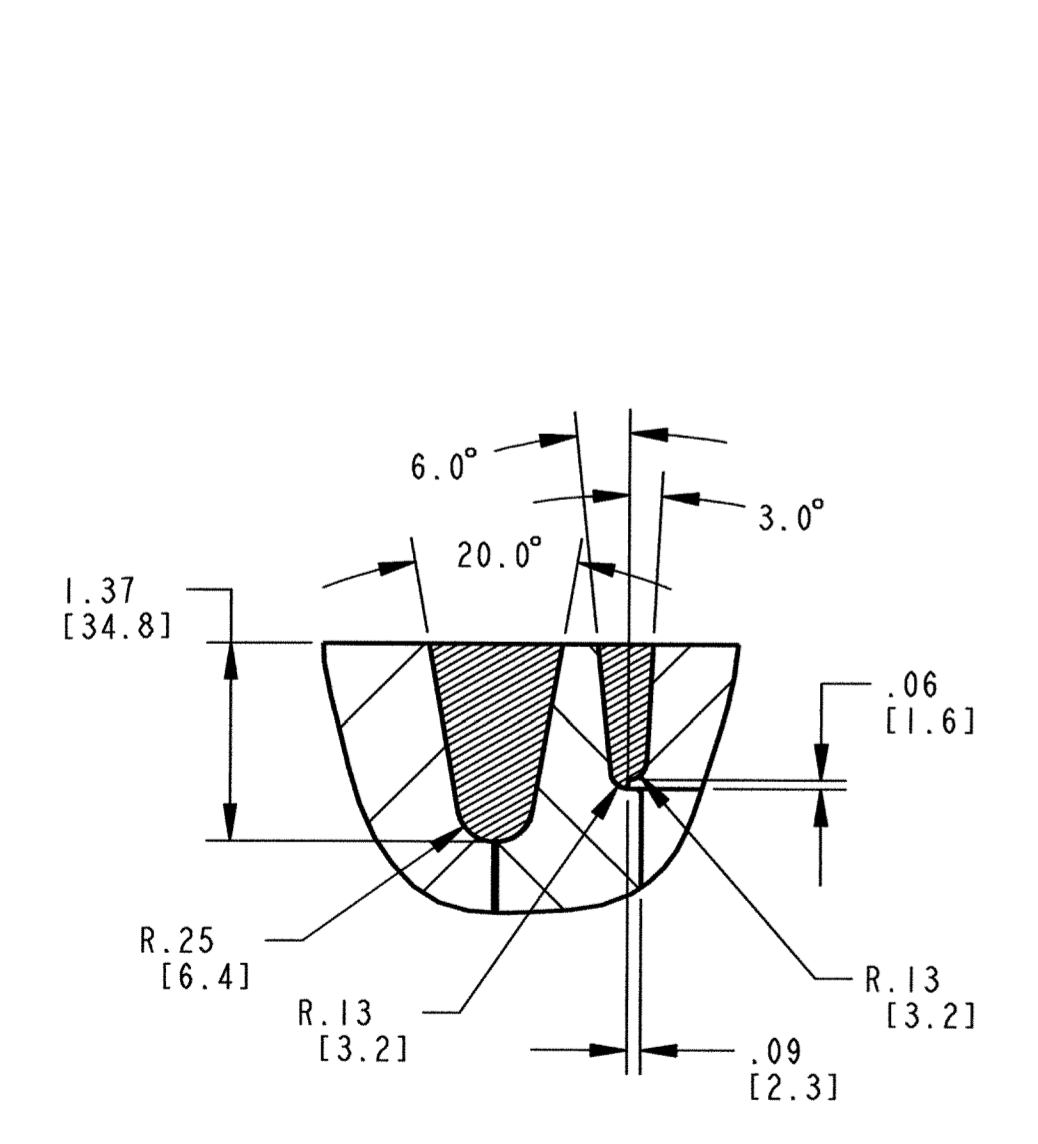


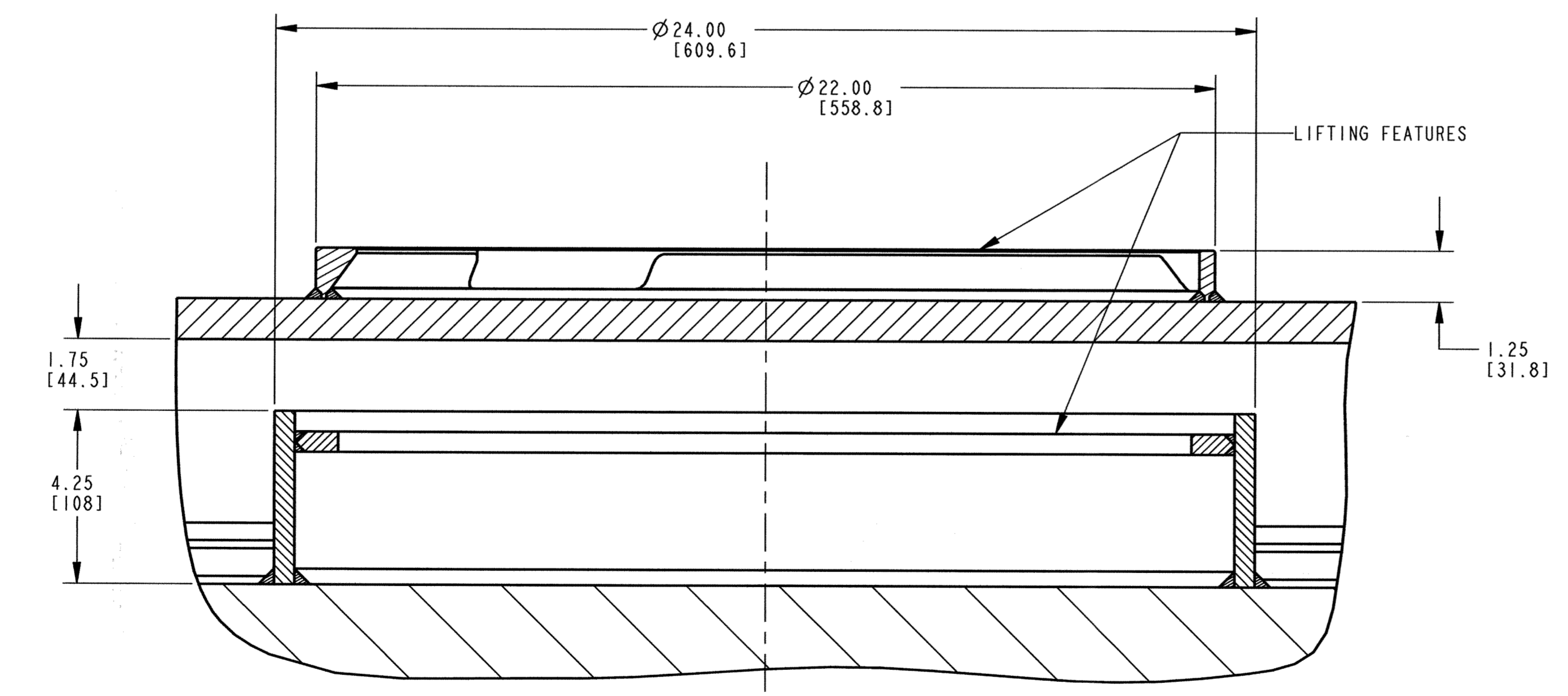
DETAIL A



DETAIL B



DETAIL D



DETAIL C

- NOTES:
1. ALL DIMENSIONS ARE IN INCHES MILLIMETERS IN BRACKETS.
 2. ALL DIMENSIONS ARE REFERENCE ONLY.
 3. DO NOT SCALE FROM DRAWING.
 4. THIS DRAWING IS SUPPORTING DESIGN INFORMATION (SDI).
 5. LID LIFTING FEATURES ARE BASED ON REFERENCES 2, 3, & 9.
 6. S31600 HAS ADDITIONAL CONTROLS ON CARBON AND NITROGEN.
 7. FOR ORIGINAL SIGNATURES FOR REV 00A SEE CONTROLLED ARCHIVE.
 8. THE PURGE PORT CAP CONTAINS METALLIC GASKETS, BUT THE MATERIAL MASSES ARE NEGLIGIBLE AND ARE NOT INCLUDED. SEE REFERENCE 8.

- REFERENCE LIST:
1. Q-LIST. 000-30R-MGR0-00500-000-003, PAGE A-4
 2. HIGH-LEVEL RADIOACTIVE WASTE AND U.S. DEPARTMENT OF ENERGY AND NAVAL SPENT NUCLEAR FUEL TO THE MONITORED GEOLOGIC REPOSITORY. VOLUME 1 OF INTEGRATED INTERFACE CONTROL DOCUMENT. DOE/RW-0511 REV. 03, FIGURES C-10, C-11, C-16, & C-26.
 3. SUPPLIER DOCUMENT 0051280-0052-001-1, PAGE 2, FIGURE 2.
 4. 2-MCO/2-DHLW WASTE PACKAGE CONFIGURATION, 000-MW0-DS00-00301-000 AND 2-MCO/2-DHLW WASTE PACKAGE CONFIGURATION, 000-MW0-DS00-00302-000
 5. BASIS OF DESIGN FOR THE TAD CANISTER-BASED REPOSITORY DESIGN CONCEPT 000-3DR-MGR0-00300-000-000.
 6. 2001 ASME BOILER AND PRESSURE VESSEL CODE (INCLUDES 2002 ADDENDA). TIC: 251425.
 7. ASTM G 1-90 (REAPPROVED 1999). STANDARD PRACTICE FOR PREPARING, CLEANING, AND EVALUATING CORROSION TEST SPECIMENS. TIC: 238771.
 8. ASSESSMENT OF PROPOSED DEFINITION OF PURGE PORT CAP & GASKET MATERIAL. 000-30R-WIS0-00600-000-00, ENTIRE.
 9. SUPPLIER DOCUMENT 0051280-0020-001-1, ENTIRE.

THIS DRAWING IS PRELIMINARY AND NOT INTENDED FOR CONSTRUCTION, PROCUREMENT OR FABRICATION.

00B	EXTENSIVE REVISION TO COMPLY WITH THE CURRENT DESIGN CONCEPT - REMOVED MIDDLE LID. REPLACED INNER LID WITH SHIELD PLUG. REVISED SPREAD RING AND LIFTING RING. REVISED SLEEVES. UPDATED REFERENCE LIST. SUPERSEDED DRAWING 000-MW0-DS00-00304-000-00A.	2/1/07	JV	ML	AS	CC	N/A	DT
00A	INITIAL ISSUE	1/20/04	TS	ML	AS	CC	N/A	DT
REV	DESCRIPTION	DATE	ORIG	CHK	EGS	PE	DEM	DEC
REVISION HISTORY								
U.S. DEPARTMENT OF ENERGY Office of Civilian Radioactive Waste Management								
2-MCO/2-DHLW WASTE PACKAGE CONFIGURATION								
DISCIPLINE ENGINEERING MANAGER	N/A	N/A	SAFETY CLASSIFICATION		DOCUMENT IDENTIFIER:			
DE CONFORMANCE	DT	1/20/04	SIZE	SCALE	000-MW0-DS00-00303-000			
			D	NONE	000-MW0-DS00-00300-000.DRW			
					REV 00B			