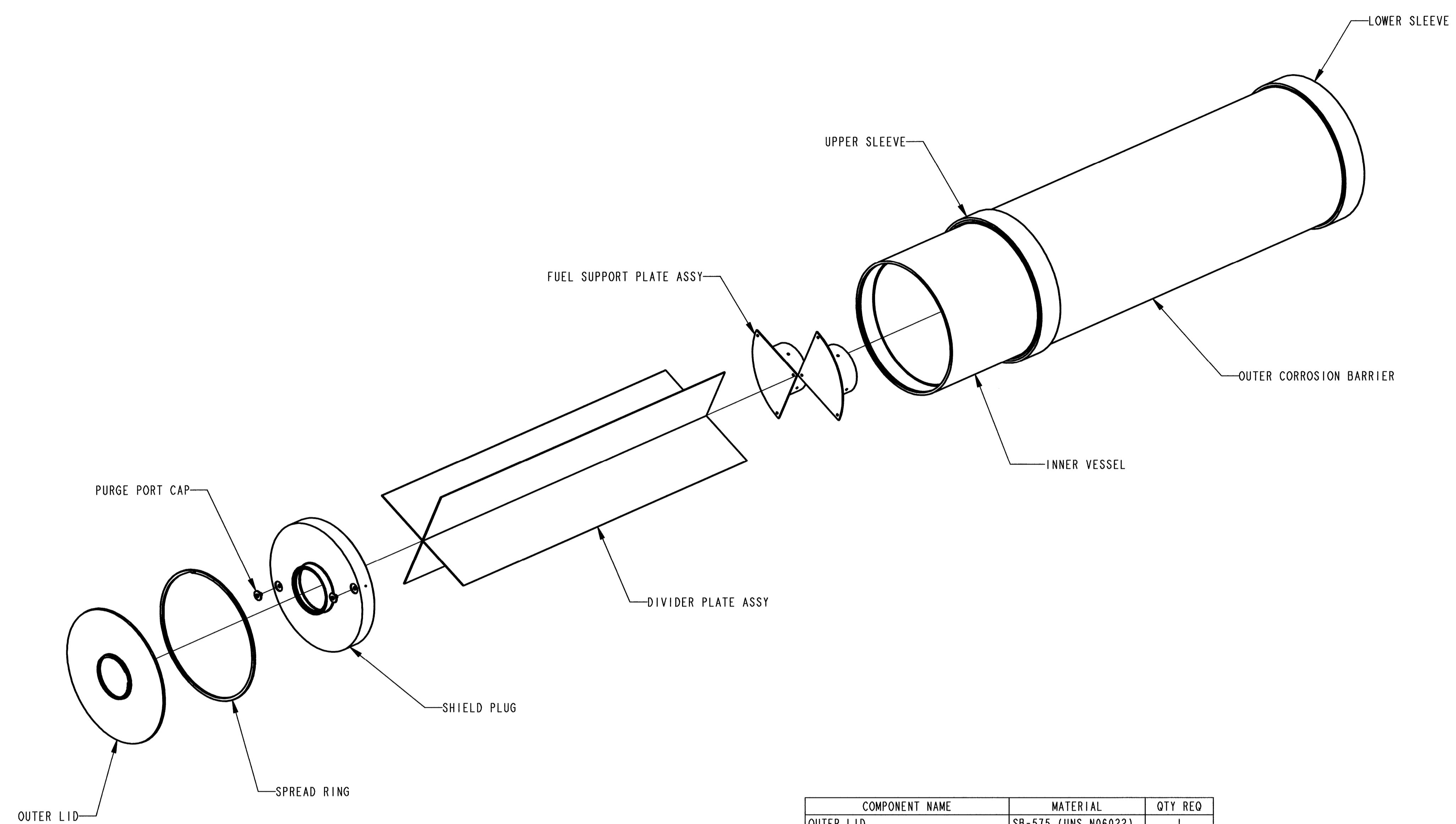


- NOTES:
1. ALL DIMENSIONS ARE IN INCHES MILLIMETERS IN BRACKETS.
  2. ALL DIMENSIONS ARE REFERENCE ONLY.
  3. DO NOT SCALE FROM DRAWING.
  4. THIS DRAWING IS SUPPORTING DESIGN INFORMATION (SDI).
  5. LID LIFTING FEATURES ARE BASED ON REFERENCES 2, 3, & 9.
  6. S31600 HAS ADDITIONAL CONTROLS ON CARBON AND NITROGEN.
  7. FOR ORIGINAL SIGNATURES FOR REV 00A SEE CONTROLLED ARCHIVE.
  8. THE PURGE PORT CAP CONTAINS METALLIC GASKETS, BUT THE MATERIAL MASSES ARE NEGLIGIBLE AND ARE NOT INCLUDED. SEE REFERENCE 8.

- REFERENCE LIST:
1. Q-LIST. 000-30R-MGR0-00500-000-003, PAGE A-4
  2. HIGH-LEVEL RADIOACTIVE WASTE AND U.S. DEPARTMENT OF ENERGY AND NAVAL SPENT NUCLEAR FUEL TO THE MONITORED GEOLOGIC REPOSITORY. VOLUME 1 OF INTEGRATED INTERFACE CONTROL DOCUMENT. DOE/RW-0511 REV. 03, FIGURES C-10, C-11, C-16, & C-26.
  3. SUPPLIER DOCUMENT 0051280-0052-001-1, PAGE 2, FIGURE 2.
  4. 2-MCO/2-DHLW WASTE PACKAGE CONFIGURATION, 000-MW0-DS00-00302-000 AND 2-MCO/2-DHLW WASTE PACKAGE CONFIGURATION, 000-MW0-DS00-00303-000.
  5. BASIS OF DESIGN FOR THE TAD CANISTER-BASED REPOSITORY DESIGN CONCEPT 000-3DR-MGR0-00300-000-000.
  6. 2001 ASME BOILER AND PRESSURE VESSEL CODE (INCLUDES 2002 ADDENDA). TIC: 251425.
  7. ASTM G 1-90 (REAPPROVED 1999). STANDARD PRACTICE FOR PREPARING, CLEANING, AND EVALUATING CORROSION TEST SPECIMENS. TIC: 238771.
  8. ASSESSMENT OF PROPOSED DEFINITION OF PURGE PORT CAP & GASKET MATERIAL. 000-30R-WIS0-00600-000-00, ENTIRE.
  9. SUPPLIER DOCUMENT 0051280-0020-001-1, ENTIRE.



COMPONENT NAME	MATERIAL	QTY REQ
OUTER LID	SB-575 (UNS N06022)	1
SPREAD RING	SA-240 (UNS S31600)	1
SHIELD PLUG	SA-240 (UNS S31600)	1
PURGE PORT CAP	SA-240 (UNS S31600)	2
DIVIDER PLATE ASSY	SA-516 (UNS K02700)	1
FUEL SUPPORT PLATE ASSY	SA-516 (UNS K02700)	2
INNER VESSEL	SA-240 (UNS S31600)	1
INTERFACE RING (SEE 000-MW0-DS00-00303-000)	SA-240 (UNS S31600)	1
OUTER CORROSION BARRIER	SB-575 (UNS N06022)	1
UPPER SLEEVE	SB-575 (UNS N06022)	1
LOWER SLEEVE	SB-575 (UNS N06022)	1
SUPPORT RING (SEE 000-MW0-DS00-00303-000)	SB-575 (UNS N06022)	1

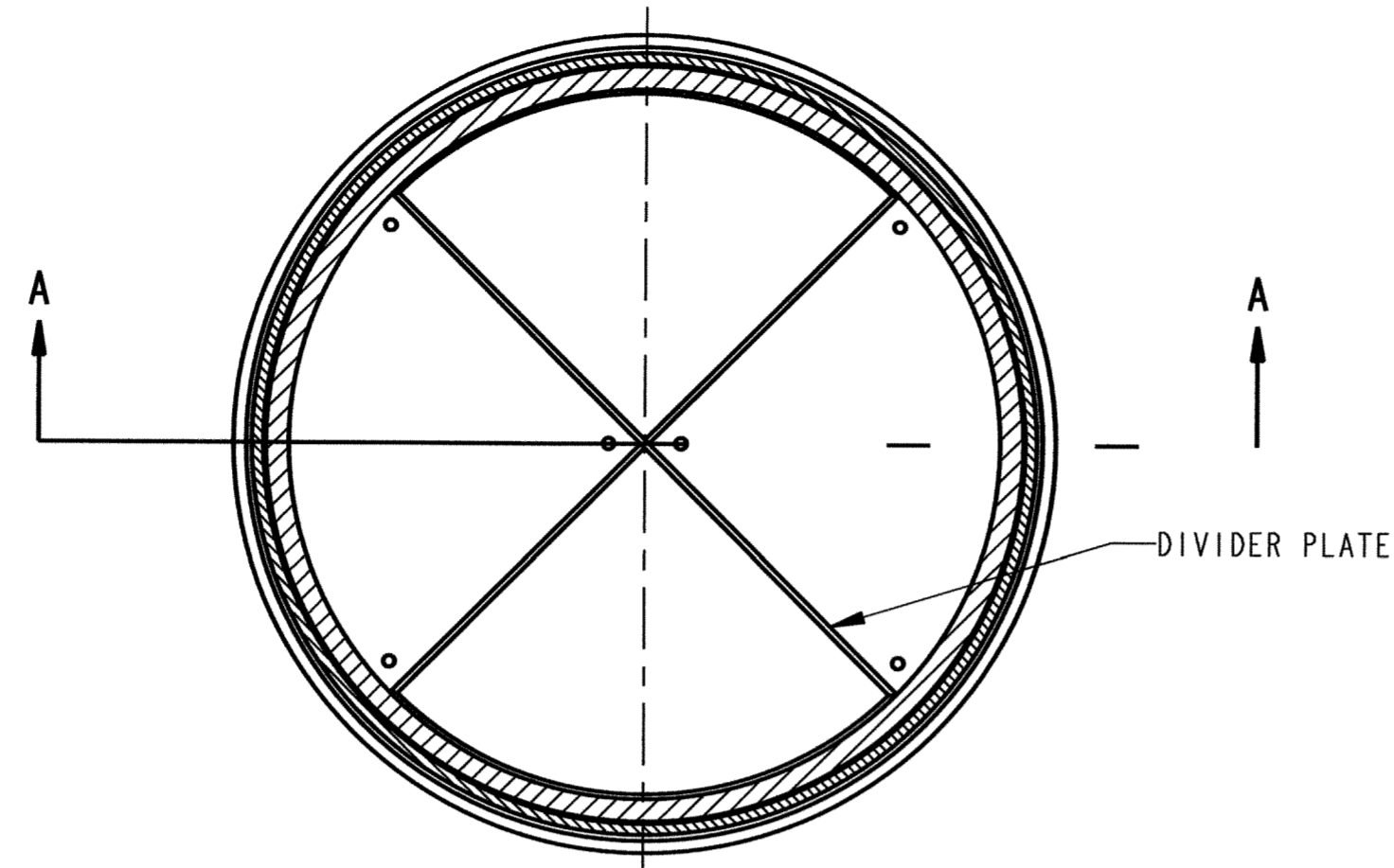
NOMINAL LENGTH	NOMINAL DIAMETER	WASTE PACKAGE ASSY	LOADED MASS
207.82 IN	72.07 IN	53,600 LBM	112,500 LBM
5278.6 MM	1830.6 MM	24,300 KG	51,000 KG

THIS DRAWING IS PRELIMINARY AND NOT INTENDED FOR CONSTRUCTION, PROCUREMENT OR FABRICATION.

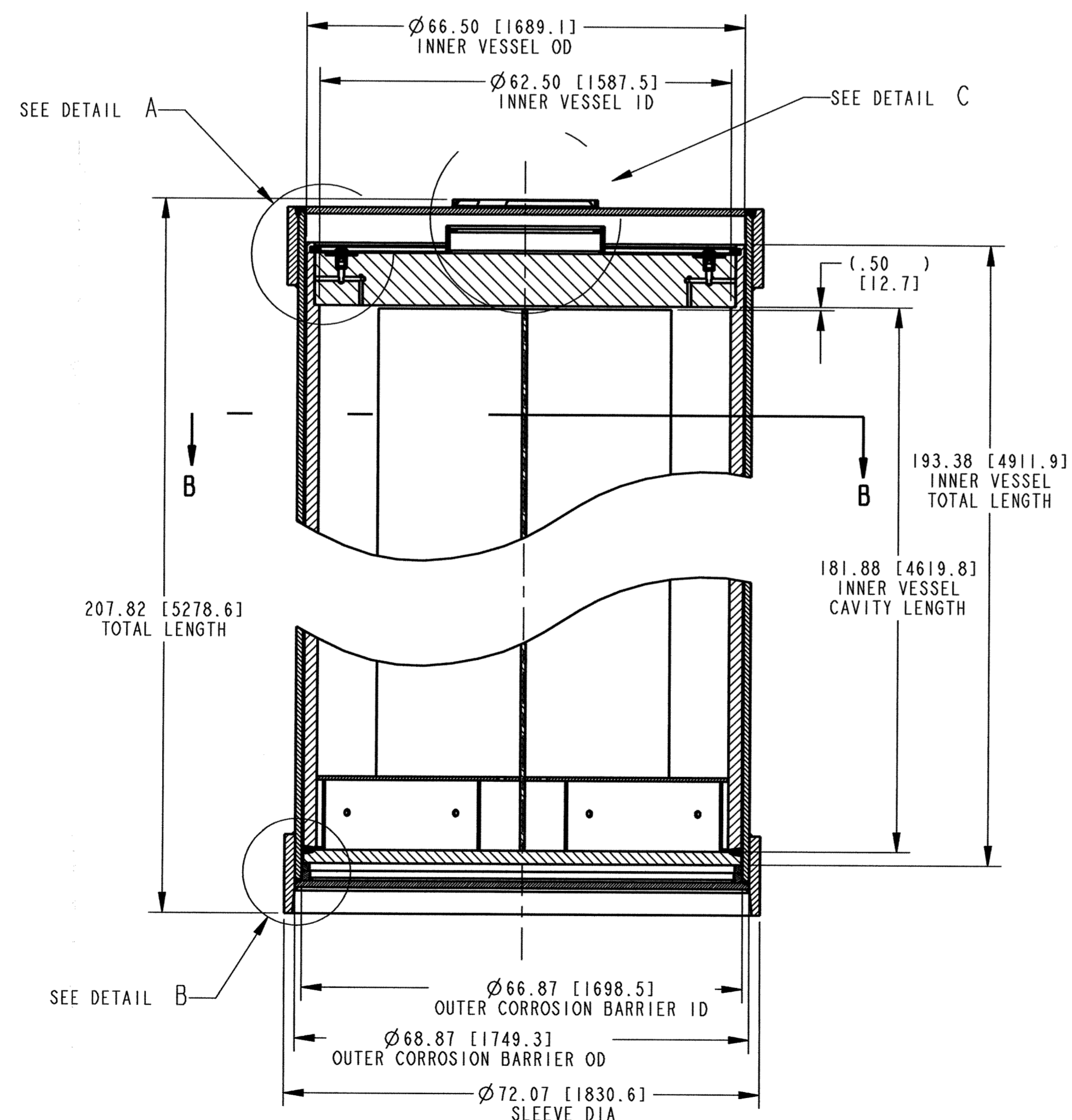
00B	EXTENSIVE REVISION TO COMPLY WITH THE CURRENT DESIGN CONCEPT - REMOVED MIDDLE LID. REPLACED INNER LID WITH SHIELD PLUG. REVISED SPREAD RING AND LISTING RING. REVISED SLEEVES. UPDATED REFERENCE LIST. SUPERSEDED DRAWING 000-MW0-DS00-00304-000-00A.	2/1/07	IV	MD	MA	ML	NA	OR
00A	INITIAL ISSUE	1/20/04	TS	ML	AS	CC	N/A	DT
REV	DESCRIPTION	DATE	ORG	CHK	EGS	PE	DEM	DEC
REVISION HISTORY								
APPROVALS			INITIAL/DATE					
ORIGINATOR			T. SCHMITT TS 1/20/04					
CHECKER			M. LEWIS ML 1/20/04					
ENGINEERING GROUP SUPERVISOR			A. SCHEIDER AS 1/20/04					
PROJECT ENGINEER			C. CHAGNON CC 1/20/04					
DISCIPLINE ENGINEERING MANAGER			N/A					
N/A			SAFETY CLASSIFICATION			DOCUMENT IDENTIFIER:		
D. TUNNEY DT 1/20/04			ITS & ITWI			000-MW0-DS00-00301-000		
			SIZE SCALE			CAD FILE		
			D NONE			000-MW0-DS00-00300-000.DRW		
			REV			00B		

**U.S. DEPARTMENT OF ENERGY**  
Office of Civilian Radioactive Waste Management  
Management and Operation of the Office of Civilian Radioactive Waste Management Program

2-MCO/2-DHLW  
WASTE PACKAGE CONFIGURATION



SECTION B-B



SECTION A-A

NOTES:

1. ALL DIMENSIONS ARE IN INCHES MILLIMETERS IN BRACKETS.
2. ALL DIMENSIONS ARE REFERENCE ONLY.
3. DO NOT SCALE FROM DRAWING.
4. THIS DRAWING IS SUPPORTING DESIGN INFORMATION (SDI).
5. LID LIFTING FEATURES ARE BASED ON REFERENCES 2, 3, & 9.
6. S31600 HAS ADDITIONAL CONTROLS ON CARBON AND NITROGEN.
7. FOR ORIGINAL SIGNATURES FOR REV 00A SEE CONTROLLED ARCHIVE.
8. THE PURGE PORT CAP CONTAINS METALLIC GASKETS, BUT THE MATERIAL MASSES ARE NEGLIGIBLE AND ARE NOT INCLUDED. SEE REFERENCE 8.

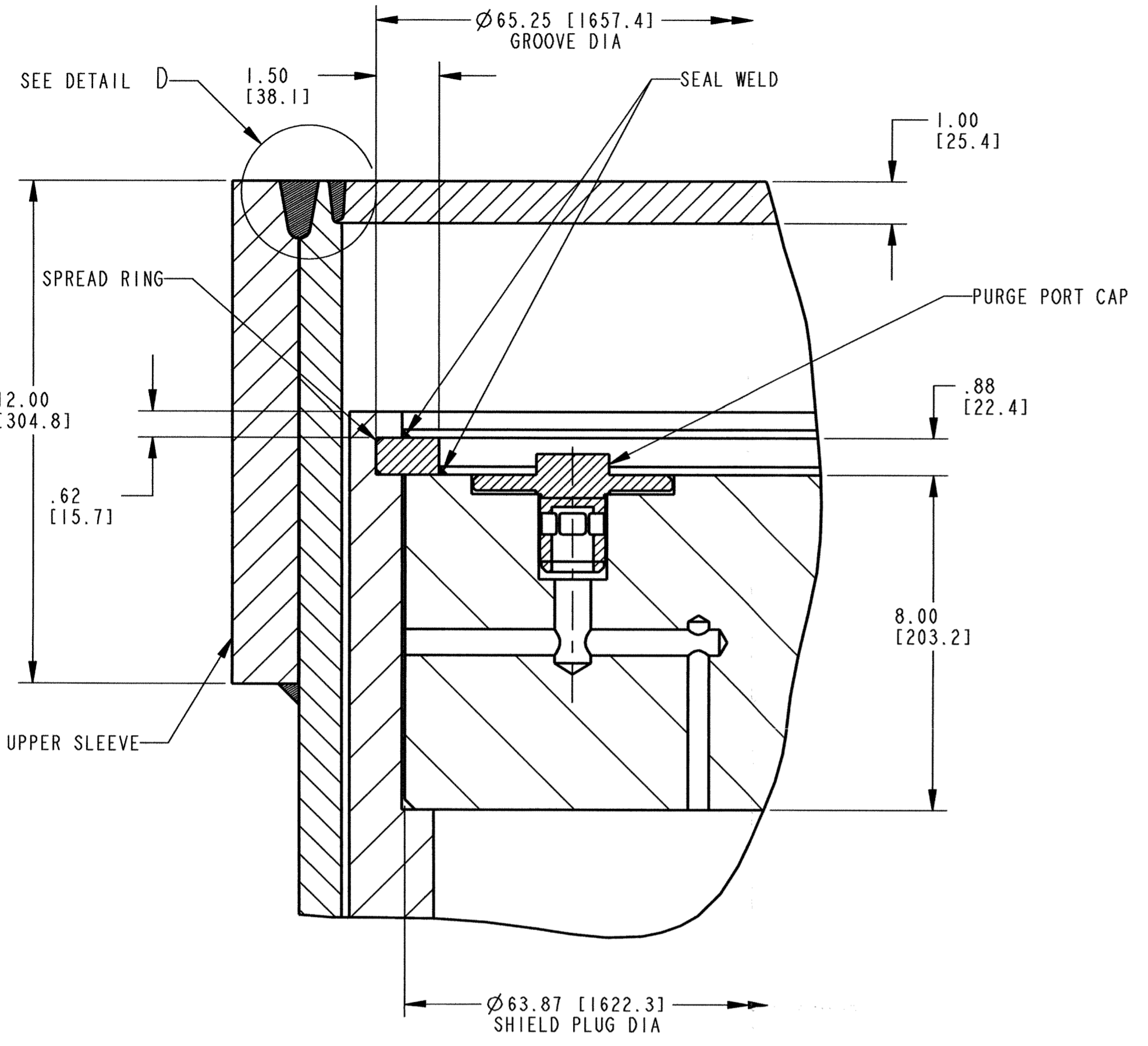
REFERENCE LIST:

1. Q-LIST. 000-30R-MGR0-00500-000-003, PAGE A-4
2. HIGH-LEVEL RADIOACTIVE WASTE AND U.S. DEPARTMENT OF ENERGY AND NAVAL SPENT NUCLEAR FUEL TO THE MONITORED GEOLOGIC REPOSITORY. VOLUME 1 OF INTEGRATED INTERFACE CONTROL DOCUMENT. DOE/RW-0511 REV. 03, FIGURES C-10, C-11, C-16, & C-26.
3. SUPPLIER DOCUMENT 005128Q-0052-001-1, PAGE 2, FIGURE 2.
4. 2-MCO/2-DHLW WASTE PACKAGE CONFIGURATION, 000-MW0-DS00-00301-000 AND 2-MCO/2-DHLW WASTE PACKAGE CONFIGURATION, 000-MW0-DS00-00303-000.
5. BASIS OF DESIGN FOR THE TAD CANISTER-BASED REPOSITORY DESIGN CONCEPT 000-3DR-MGR0-00300-000-000.
6. 2001 ASME BOILER AND PRESSURE VESSEL CODE (INCLUDES 2002 ADDENDA). TIC: 251425.
7. ASTM G 1-90 (REAPPROVED 1999). STANDARD PRACTICE FOR PREPARING, CLEANING, AND EVALUATING CORROSION TEST SPECIMENS. TIC: 238771.
8. ASSESSMENT OF PROPOSED DEFINITION OF PURGE PORT CAP & GASKET MATERIAL. 000-30R-WIS0-00600-000-00, ENTIRE.
9. SUPPLIER DOCUMENT 005128Q-0020-001-1, ENTIRE.

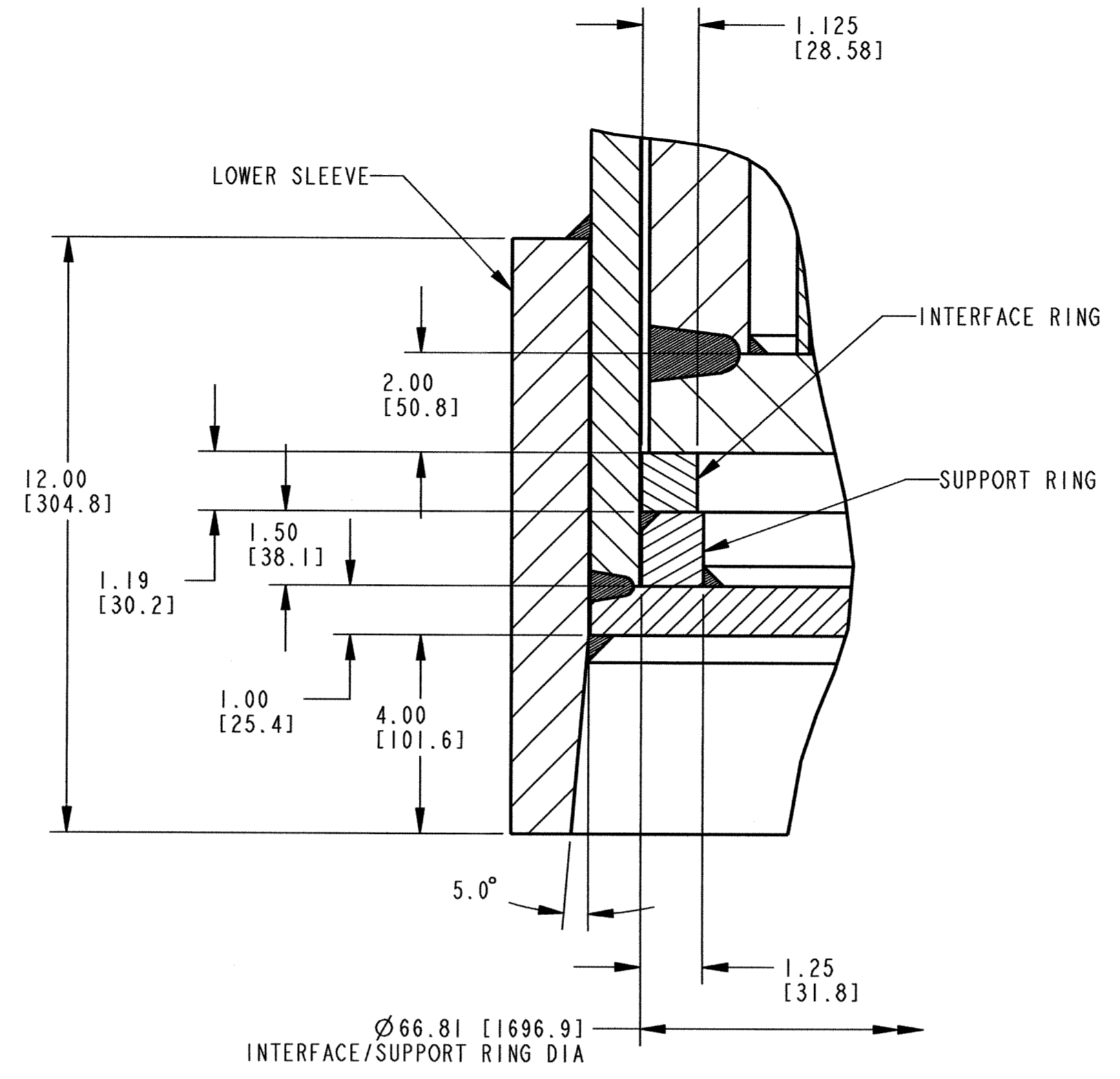
THIS DRAWING IS PRELIMINARY AND NOT INTENDED FOR CONSTRUCTION, PROCUREMENT OR FABRICATION.

00B	EXTENSIVE REVISION TO COMPLY WITH THE CURRENT DESIGN CONCEPT - REMOVED MIDDLE LID. REPLACED INNER LID WITH SHIELD PLUG. REVISED SPREAD RING AND LIFTING RING. REVISED SLEEVES. UPDATED REFERENCE LIST. SUPERSEDED DRAWING 000-MW0-DS00-00304-000-00A.	2/1/07	JV	ML	AS	CC	N/A	DT
00A	INITIAL ISSUE	1/20/04	TS	ML	AS	CC	N/A	DT
REV	DESCRIPTION	DATE	ORG	CHK	EGS	PE	DEM	QEC
REVISION HISTORY								
APPROVALS		INITIAL/DATE	<b>U.S. DEPARTMENT OF ENERGY</b> Office of Civilian Radioactive Waste Management					
ORIGINATOR	T. SCHMITT	TS 1/20/04	Management and Operation of the Office of Civilian Radioactive Waste Management Program					
CHECKER	M. LEWIS	ML 1/20/04	SAIC					
ENGINEERING GROUP SUPERVISOR	A. SCHEIDER	AS 1/20/04	2-MCO/2-DHLW WASTE PACKAGE CONFIGURATION					
PROJECT ENGINEER	C. CHAGNON	CC 1/20/04						
DISCIPLINE ENGINEERING MANAGER	N/A	N/A	SAFETY CLASSIFICATION		DOCUMENT IDENTIFIER:			
QC CONCURRENCE	D. TUNNEY	DT 1/20/04	ITS & ITWI		000-MW0-DS00-00302-000			
			SIZE	SCALE	CAD FILE	REV		
			D	NONE	000-MW0-DS00-00300-000.DRW	00B		

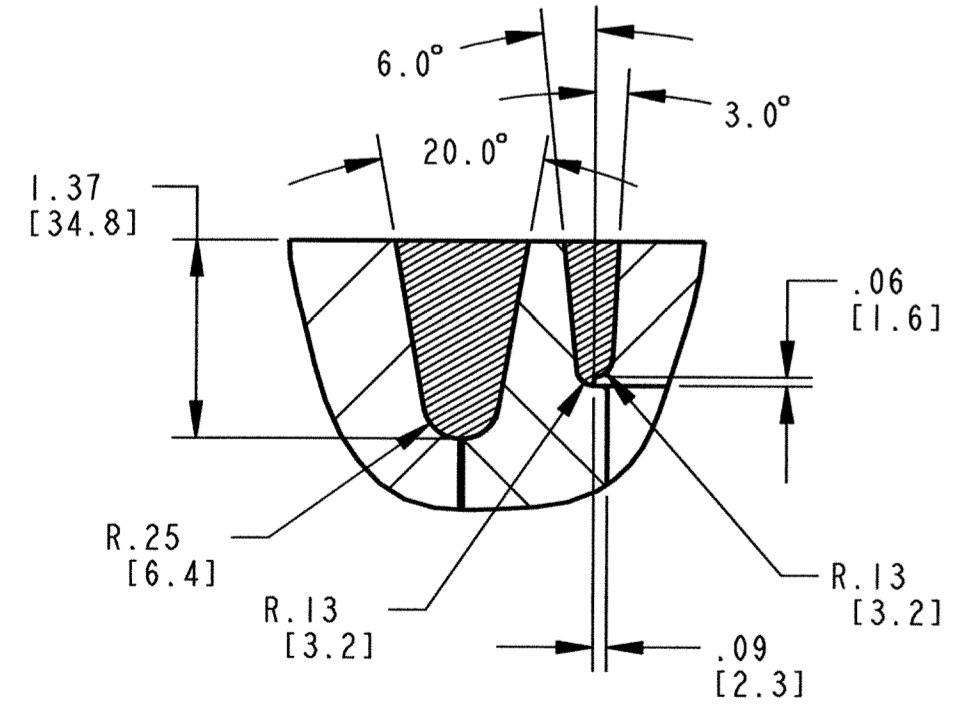
CAGE CODE:



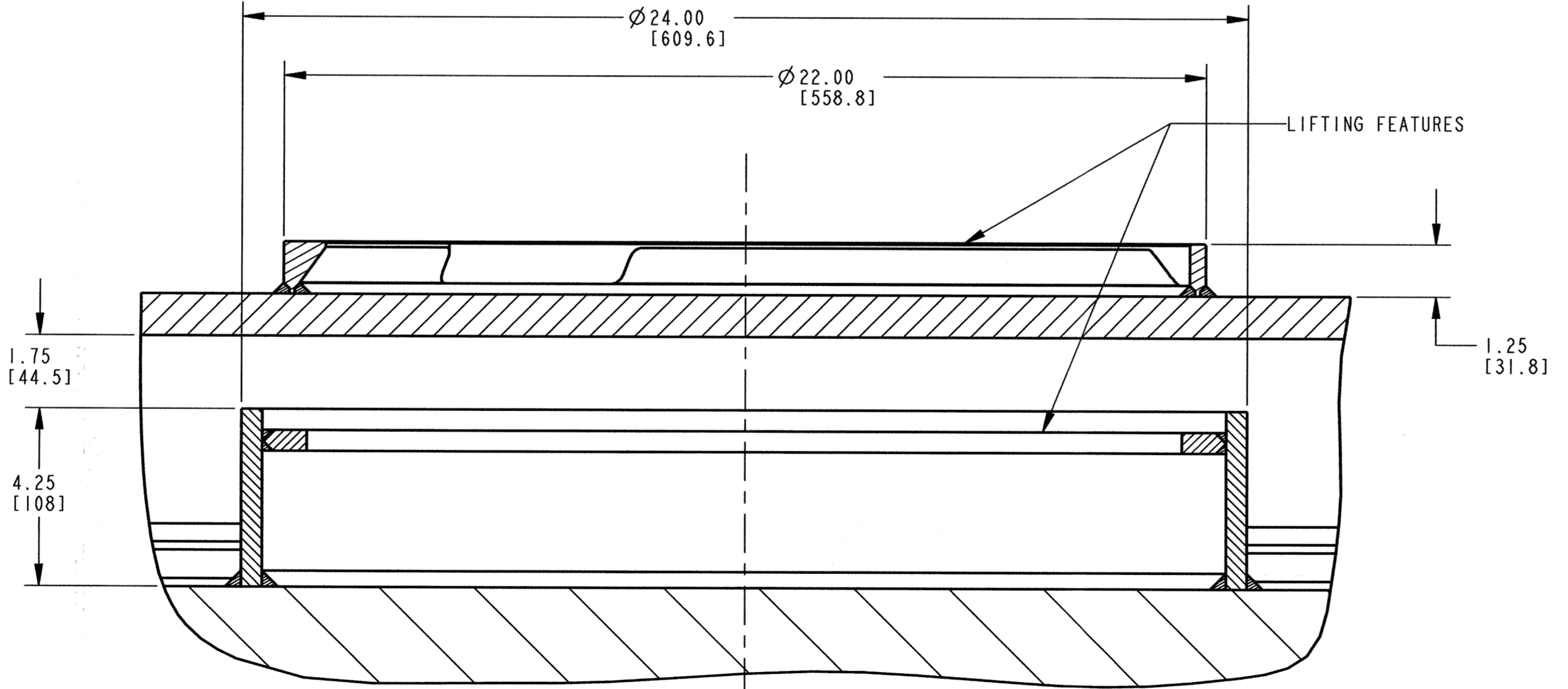
DETAIL A



DETAIL B



DETAIL D



DETAIL C

- NOTES:
1. ALL DIMENSIONS ARE IN INCHES MILLIMETERS IN BRACKETS.
  2. ALL DIMENSIONS ARE REFERENCE ONLY.
  3. DO NOT SCALE FROM DRAWING.
  4. THIS DRAWING IS SUPPORTING DESIGN INFORMATION (SDI).
  5. LID LIFTING FEATURES ARE BASED ON REFERENCES 2, 3, & 9.
  6. S31600 HAS ADDITIONAL CONTROLS ON CARBON AND NITROGEN.
  7. FOR ORIGINAL SIGNATURES FOR REV 00A SEE CONTROLLED ARCHIVE.
  8. THE PURGE PORT CAP CONTAINS METALLIC GASKETS, BUT THE MATERIAL MASSES ARE NEGLIGIBLE AND ARE NOT INCLUDED. SEE REFERENCE 8.

- REFERENCE LIST:
1. Q-LIST. 000-30R-MGR0-00500-000-003, PAGE A-4
  2. HIGH-LEVEL RADIOACTIVE WASTE AND U.S. DEPARTMENT OF ENERGY AND NAVAL SPENT NUCLEAR FUEL TO THE MONITORED GEOLOGIC REPOSITORY. VOLUME 1 OF INTEGRATED INTERFACE CONTROL DOCUMENT. DOE/RW-0511 REV. 03, FIGURES C-10, C-11, C-16, & C-26.
  3. SUPPLIER DOCUMENT 0051280-0052-001-1, PAGE 2, FIGURE 2.
  4. 2-MCO/2-DHLW WASTE PACKAGE CONFIGURATION, 000-MW0-DS00-00301-000 AND 2-MCO/2-DHLW WASTE PACKAGE CONFIGURATION, 000-MW0-DS00-00302-000
  5. BASIS OF DESIGN FOR THE TAD CANISTER-BASED REPOSITORY DESIGN CONCEPT 000-3DR-MGR0-00300-000-000.
  6. 2001 ASME BOILER AND PRESSURE VESSEL CODE (INCLUDES 2002 ADDENDA). TIC: 251425.
  7. ASTM G 1-90 (REAPPROVED 1999). STANDARD PRACTICE FOR PREPARING, CLEANING, AND EVALUATING CORROSION TEST SPECIMENS. TIC: 238771.
  8. ASSESSMENT OF PROPOSED DEFINITION OF PURGE PORT CAP & GASKET MATERIAL. 000-30R-WIS0-00600-000-00, ENTIRE.
  9. SUPPLIER DOCUMENT 0051280-0020-001-1, ENTIRE.

THIS DRAWING IS PRELIMINARY AND NOT INTENDED FOR CONSTRUCTION, PROCUREMENT OR FABRICATION.

00B		EXTENSIVE REVISION TO COMPLY WITH THE CURRENT DESIGN CONCEPT - REMOVED MIDDLE LID. REPLACED INNER LID WITH SHIELD PLUG. REVISED SPREAD RING AND LIFTING RING. REVISED SLEEVES. UPDATED REFERENCE LIST. SUPERSEDED DRAWING 000-MW0-DS00-00304-000-00A.		2/1/07	JV	ML	AS	CC	N/A	DT
00A		INITIAL ISSUE		1/20/04	TS	ML	AS	CC	N/A	DT
REV		DESCRIPTION		DATE	ORIG	CHK	EGS	PE	DEM	DEC
REVISION HISTORY										
APPROVALS		INITIAL/DATE		<b>U.S. DEPARTMENT OF ENERGY</b> Office of Civilian Radioactive Waste Management Management and Operation of the Office of Civilian Radioactive Waste Management Program						
ORIGINATOR		T. SCHMITT TS 1/20/04								
CHECKER		M. LEWIS ML 1/20/04								
ENGINEERING GROUP SUPERVISOR		A. SCHEIDER AS 1/20/04								
PROJECT ENGINEER		C. CHAGNON CC 1/20/04								
DISCIPLINE ENGINEERING MANAGER		N/A N/A		SAFETY CLASSIFICATION		DOCUMENT IDENTIFIER:				
N/A		N/A		ITS & ITWI		000-MW0-DS00-00303-000				
DATE OF CONCURRENCE		DT 1/20/04		SIZE		SCALE		CAD FILE		REV
D. TUNNEY		DT 1/20/04		D		NONE		000-MW0-DS00-00300-000.DRW		00B