

## Installing Windows with Foam Sheathing on a Wood-Frame Wall



*Building Science Corporation*  
Westford, Massachusetts

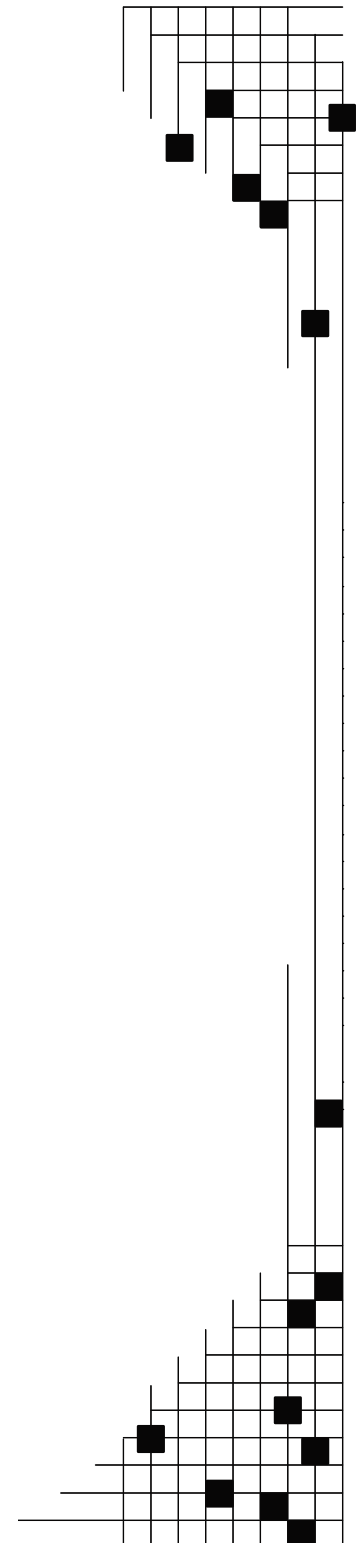
# Installing Windows with Foam Sheathing on a Wood-Frame Wall

*Subcontract Report*  
NREL/SR-550-37583  
May 2005

**January 1, 2004, to December 31, 2004**

Building Science Corporation  
*Westford, Massachusetts*

NREL Technical Monitor: Robert Hendron  
Prepared under Subcontract No. KAAX-3-32443-05



**National Renewable Energy Laboratory**  
1617 Cole Boulevard, Golden, Colorado 80401-3393  
303-275-3000 • [www.nrel.gov](http://www.nrel.gov)

Operated for the U.S. Department of Energy  
Office of Energy Efficiency and Renewable Energy  
by Midwest Research Institute • Battelle

Contract No. DE-AC36-99-GO10337

## NOTICE

This report was prepared as an account of work sponsored by an agency of the United States government. Neither the United States government nor any agency thereof, nor any of their employees, makes any warranty, express or implied, or assumes any legal liability or responsibility for the accuracy, completeness, or usefulness of any information, apparatus, product, or process disclosed, or represents that its use would not infringe privately owned rights. Reference herein to any specific commercial product, process, or service by trade name, trademark, manufacturer, or otherwise does not necessarily constitute or imply its endorsement, recommendation, or favoring by the United States government or any agency thereof. The views and opinions of authors expressed herein do not necessarily state or reflect those of the United States government or any agency thereof.

Available electronically at <http://www.osti.gov/bridge>

Available for a processing fee to U.S. Department of Energy and its contractors, in paper, from:

U.S. Department of Energy  
Office of Scientific and Technical Information  
P.O. Box 62  
Oak Ridge, TN 37831-0062  
phone: 865.576.8401  
fax: 865.576.5728  
email: <mailto:reports@adonis.osti.gov>

Available for sale to the public, in paper, from:

U.S. Department of Commerce  
National Technical Information Service  
5285 Port Royal Road  
Springfield, VA 22161  
phone: 800.553.6847  
fax: 703.605.6900  
email: [orders@ntis.fedworld.gov](mailto:orders@ntis.fedworld.gov)  
online ordering: <http://www.ntis.gov/ordering.htm>

**This publication received minimal editorial review at NREL**



# Installing Windows With Foam Sheathing on a Wood-Frame Wall

## Introduction

Residential housing design continues to move toward the development of high-performance sustainable building systems. To be sustainable, a building must not only be efficient and durable but also economically viable. For these reasons, new methods of enclosure design have been examined that provide high thermal performance and long-term durability and also reduce material use (including waste), simplify or integrate systems and details, and potentially reduce overall initial costs of construction.

One new idea relating to enclosure design is to use exterior foam insulating sheathing as the primary sheathing and drainage plane for the wall assembly. However, as with any building enclosure system, proper details for the management of water, vapor, and energy transfer is critical.

Window systems need to be installed in such a way as to be consistent with principles of building science. Window installations also require an understanding of how to maintain the continuity of the drainage plane of the wall.

## Background

As the desire to provide more thermally efficient enclosure assemblies increased, so did the problems with moisture accumulation within building enclosure assemblies. Often the problems occurred as a result of new materials being introduced into the designs for specific purposes, without adequate understanding of all of their properties and the potential impacts on the assembly as a whole. Many enclosure failures occurred because of the lack of appreciation that products and materials have other properties than the ones that they are initially designed for.

Though these lessons were hard learned, we can now use this knowledge for our benefit. Through examining and understanding materials based on all of their properties (not just what they were initially created for), we can potentially eliminate redundancies in enclosure design, making the systems simpler and more cost effective.

In cold climates the use of exterior rigid insulation sheathing boards has been a method of increasing thermal performance of the enclosure, as well as a means of reducing the condensation potential within exterior wall assemblies. This concept, while not new, has become more accepted in recent years and is being used in residential construction. While this method has proven to be effective, it was introduced as an addition to standard residential construction for a specific purpose. The base wall assembly generally remained unchanged, with other materials used for air sealing and water management.

The opportunity that presented itself was the integration of the exterior rigid insulation board into the enclosure assembly to act not only as insulation but also as the primary sheathing and drainage plane for the wall assembly. This system, combined with advanced framing concepts,

can provide cost savings from the reduction of building materials used (fewer studs, the elimination of plywood or OSB sheathing, and housewraps), and the reduction of construction waste (incorporating standard construction product dimensions in the design of the building to minimize cutting). While the use of exterior insulation was initially used in cold climates, the benefits of the integrated system from increased thermal performance and reduced costs make it potentially viable in other climates zones as well.

As with any enclosure system, proper detailing for the management of water, vapor, and energy transfer is critical. The most important of these for durability of enclosure assemblies is water management.

### **Window Installation Details**

In most wall assemblies, the connection details around windows have been the source of the most problems with water penetration into the building. The following are a set of details that describe how to install a window into a wall with insulating sheathing as an integrated drainage plane.

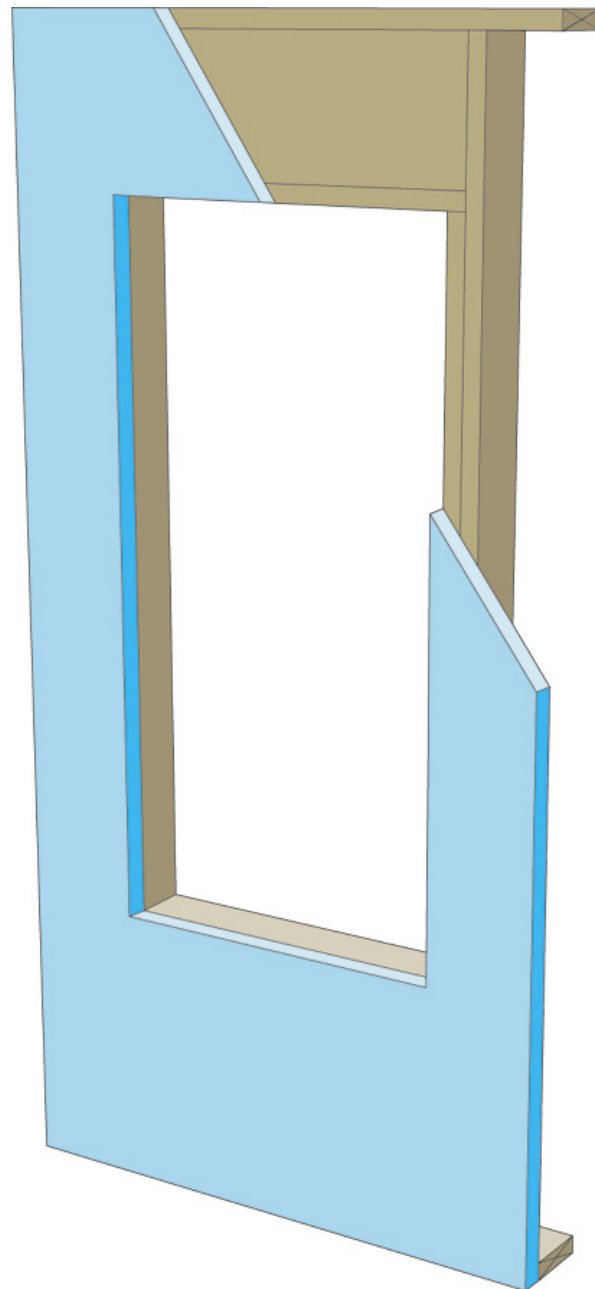
# Installing Window with Foam Sheathing on a Wood-Frame Wall

## Step 1

### Insulating sheathing on wood-frame wall

For the foam sheathing to be an effective air barrier and provide the drainage plane, the joints between the boards must be sealed.

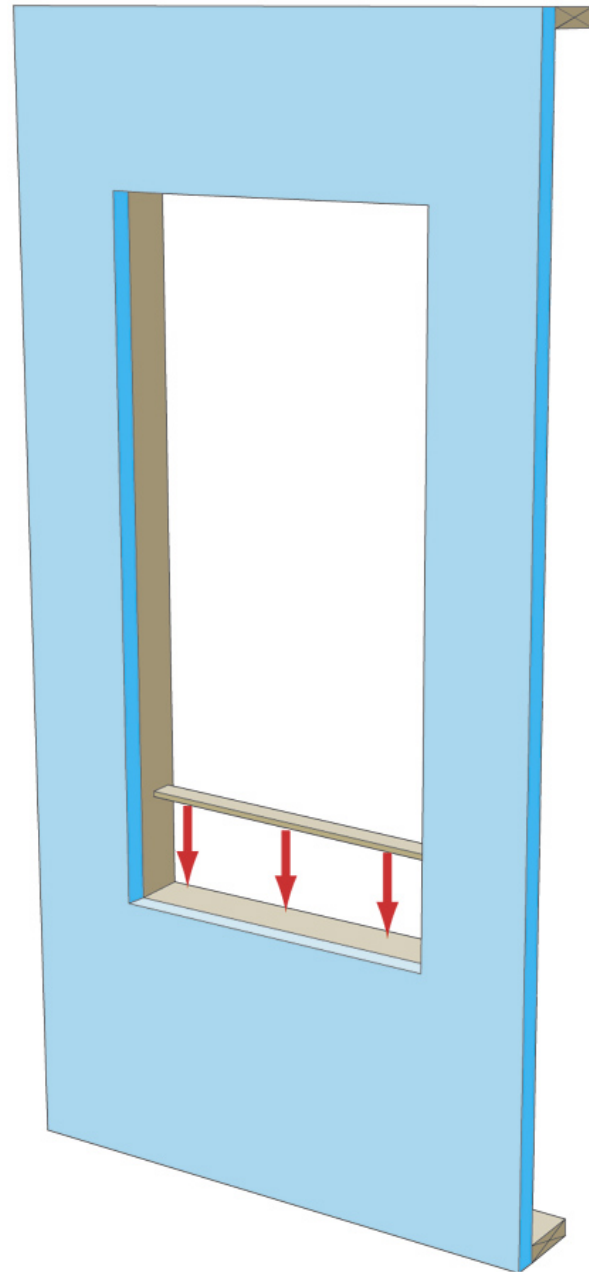
Even with all the joints sealed, it is still not recommended to have a vertical joint in the sheathing occur over a window head. The layout of the sheathing board over the wall area should be done with this in mind.



## Step 2

### Install backdam

A backdam should be installed to direct any water that may leak through or around the window back toward the exterior.



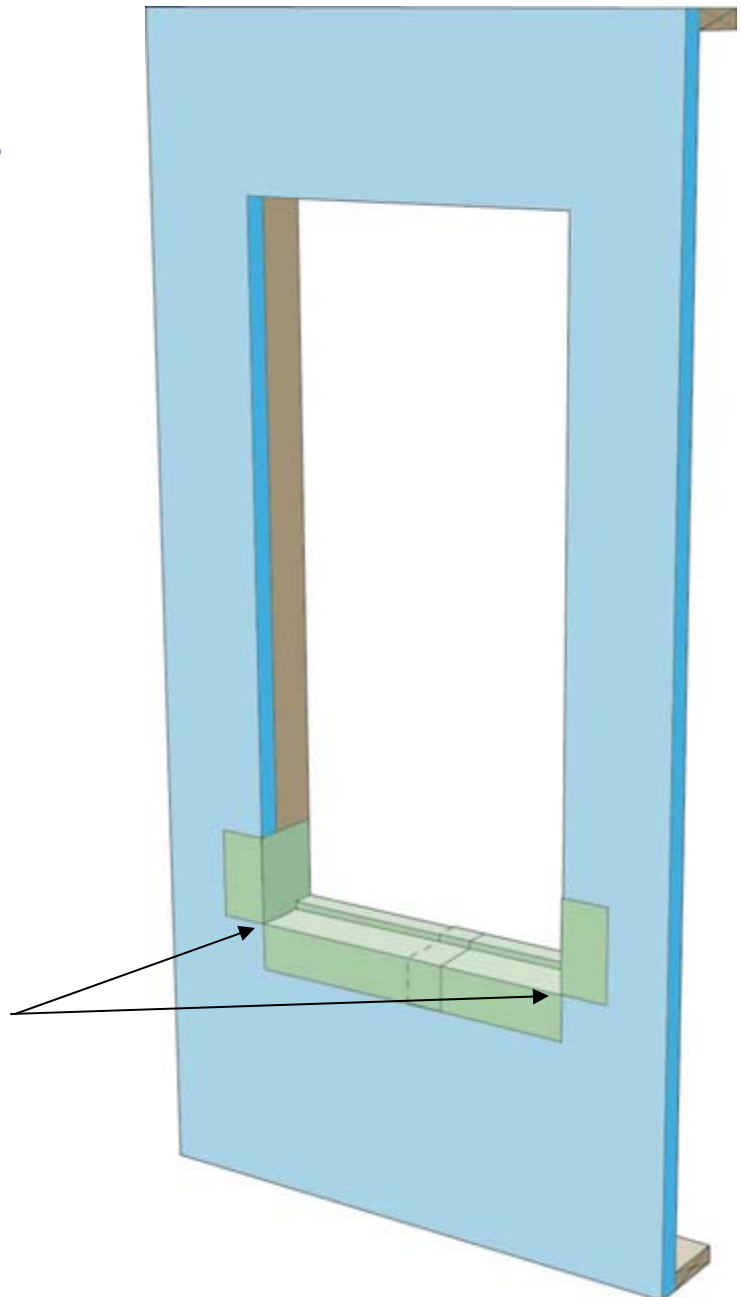
## Step 3

### Apply first piece of adhesive-backed sill flashing; apply second piece of adhesive-backed sill flashing

To protect the rough opening from moisture and to maintain the continuity of the air seal between the wood framing and the sheathing, an adhesive-backed sill flashing should be installed.

Because the exterior face of the foam insulation is also the drainage plane, the sill flashings must extend out to the exterior face of the sheathing.

The cutting and folding of the adhesive-backed flashing results in “holes” at the exterior corners of the rough opening. These holes need to be covered to prevent moisture infiltration.



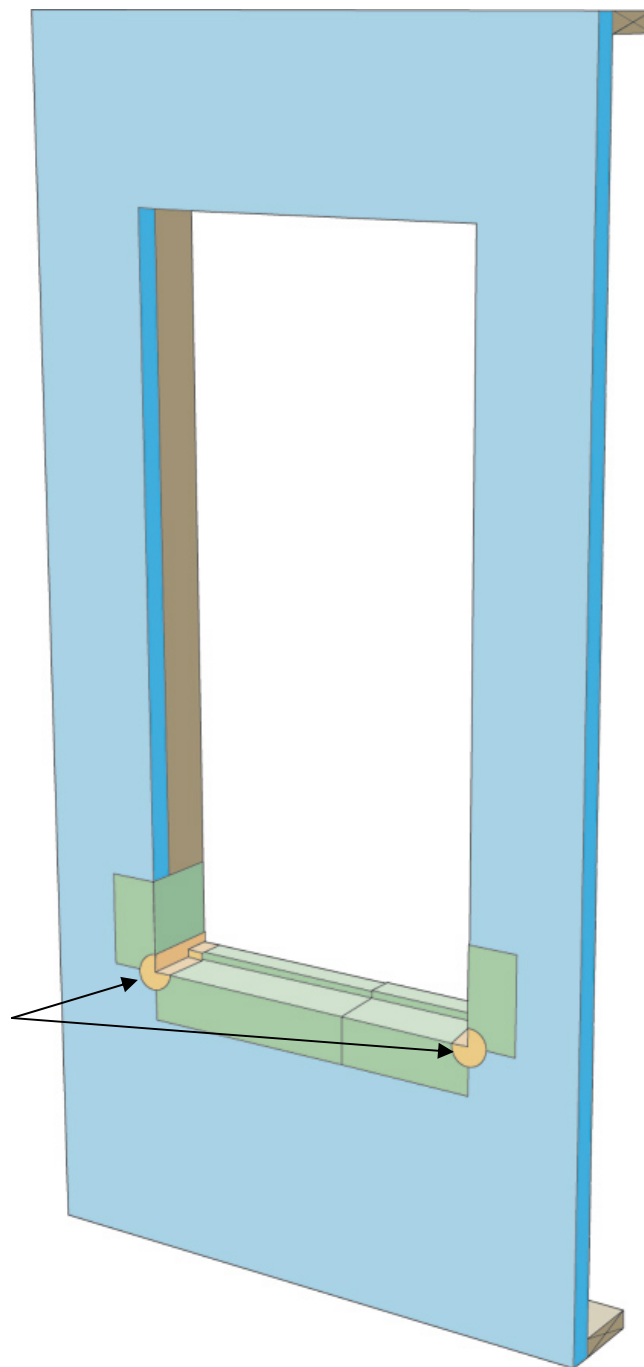


## Step 4

### Install corner flashing patches at sill

The “holes” at the exterior corners of the cut and folded flashing (from the previous step) need to be sealed with corner flashing patches.

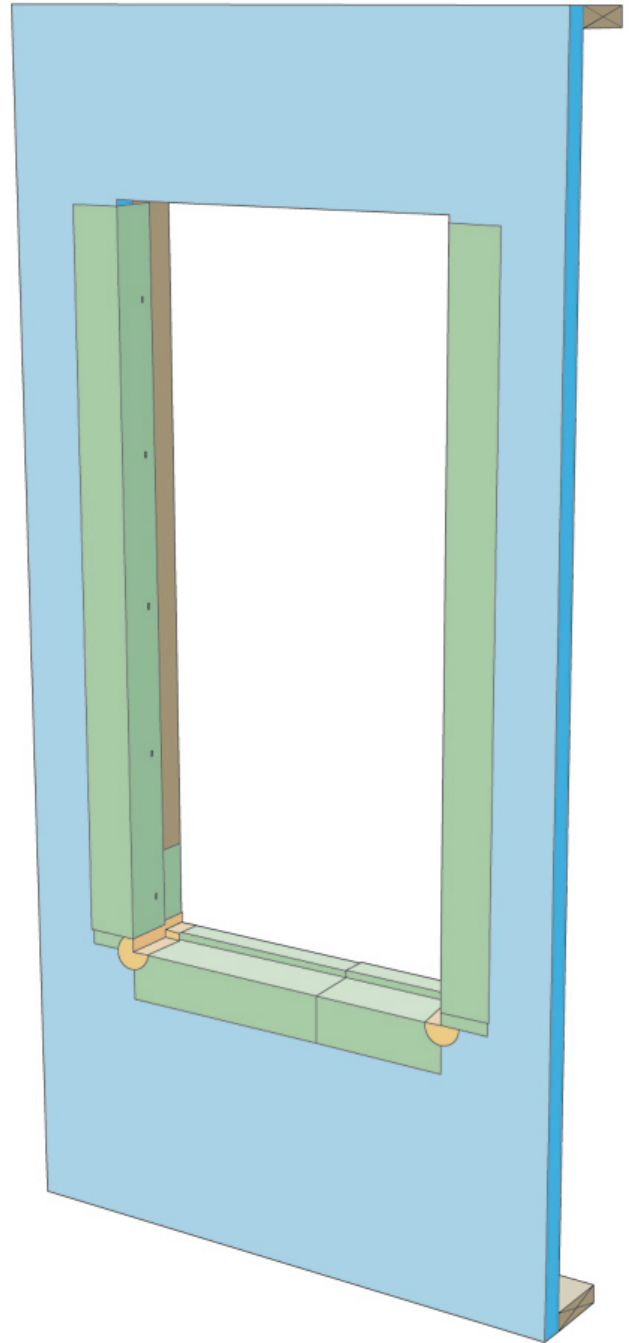
The yellow material in this illustration shows where the corner flashing patches should be applied in order to cover the holes at the folds in the underlying flashing.



## Step 5

**Install adhesive-backed jamb flashing; jamb flashing adhered to foam and stapled to frame**

The adhesive-backed jamb flashing is installed next so that the joints are shingle-lapped to prevent a reverse flashing situation.

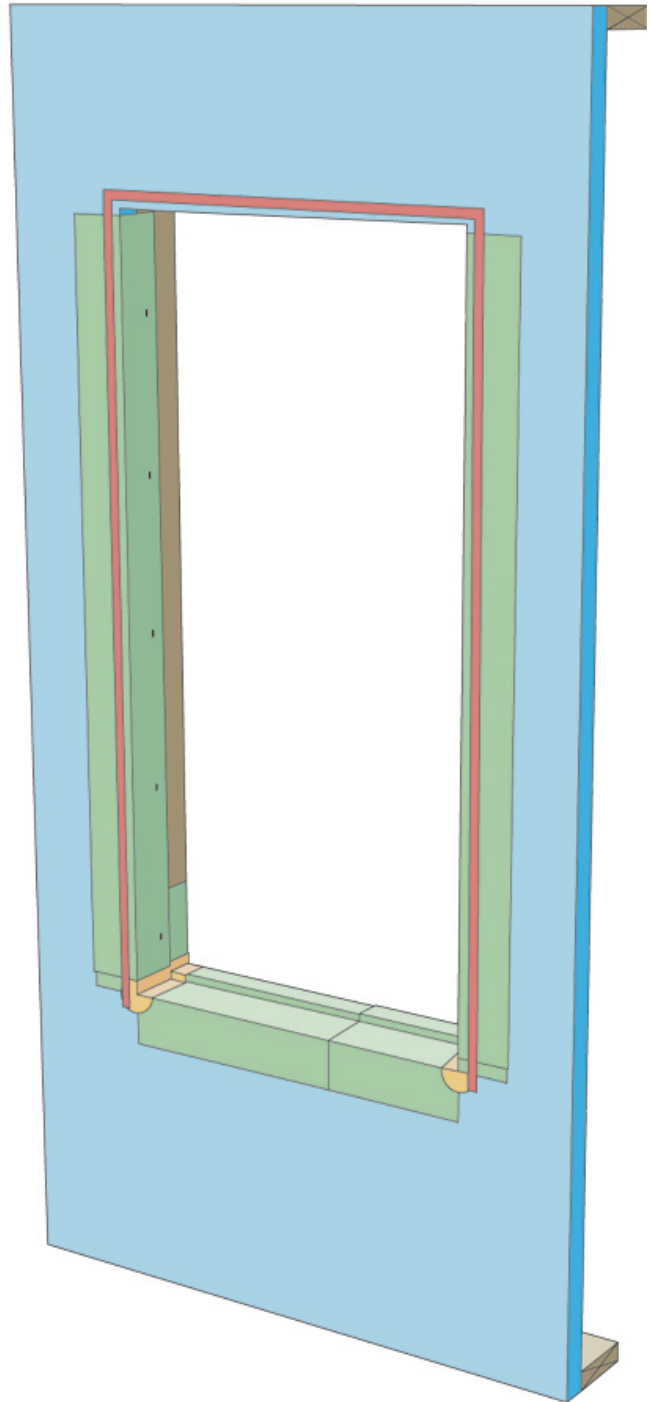


## Step 6

**Apply sealant at jambs and head; alternatively, sealant can be placed on the backside of the nailing flange (back-caulked); sealants, housewraps, and flashings must be chemically compatible**

Sealant is installed behind the nailing flange at the head and jambs to provide a seal behind the nailing flanges of the window.

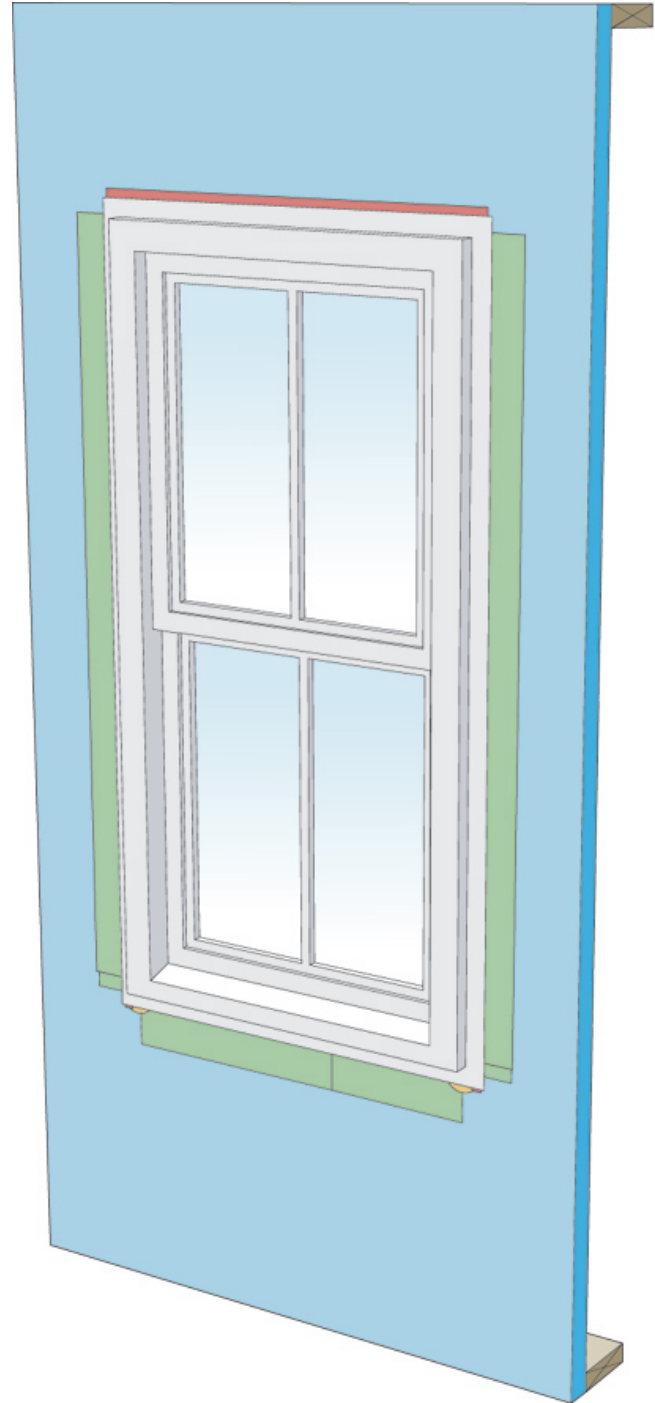
The sill is left open to allow the cavity below the window to drain to the exterior.



## Step 7

### Install window plumb, level, and square per manufacturer's instructions

The window should be installed as per the manufacturer's instructions. Setting blocks and shims should be installed between the wood rough opening and the window frame (the window should not bear on the foam sheathing). The window must be anchored to the wood rough opening.

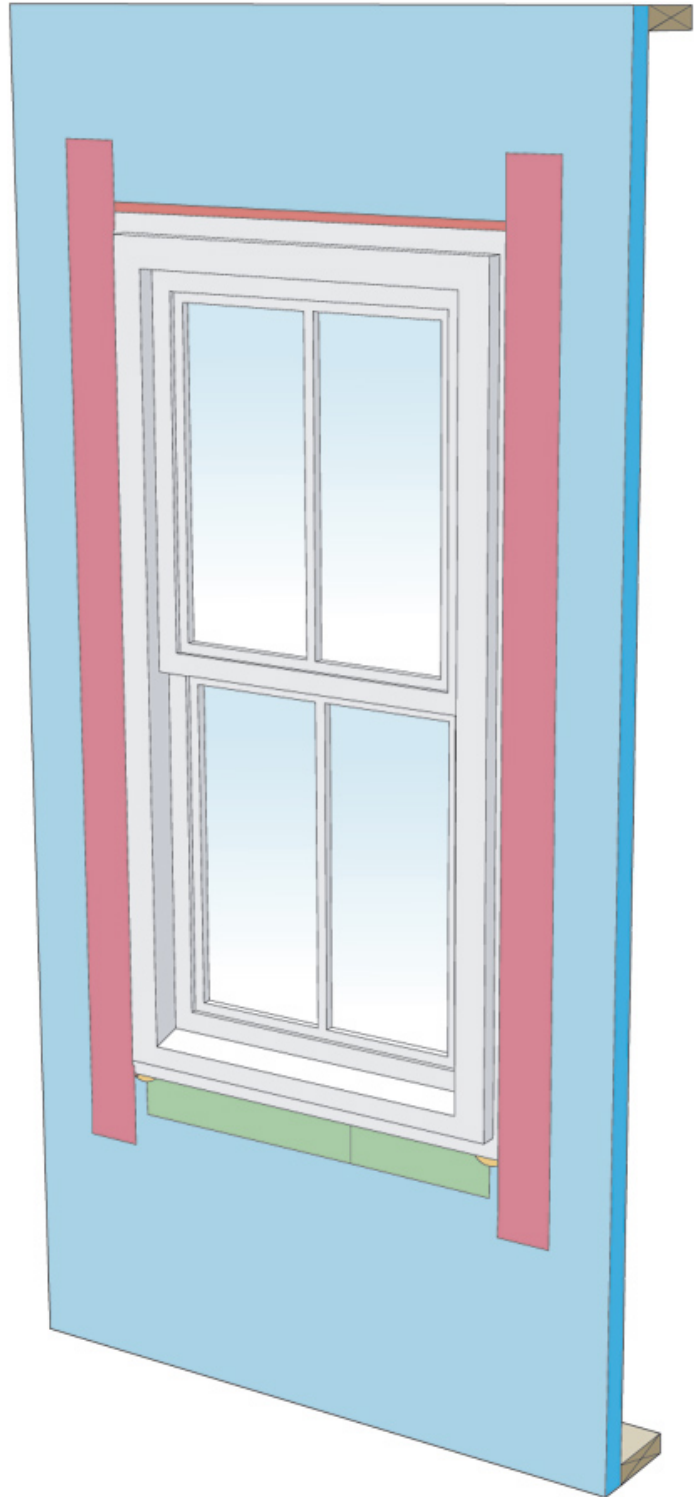


## Step 8

### Install jamb flashing

Flashing should be installed over the nailing flanges of the jambs to seal the jambs against water penetration from the exterior.

The sill is not sealed allowing for drainage of the rough opening, back to the exterior.

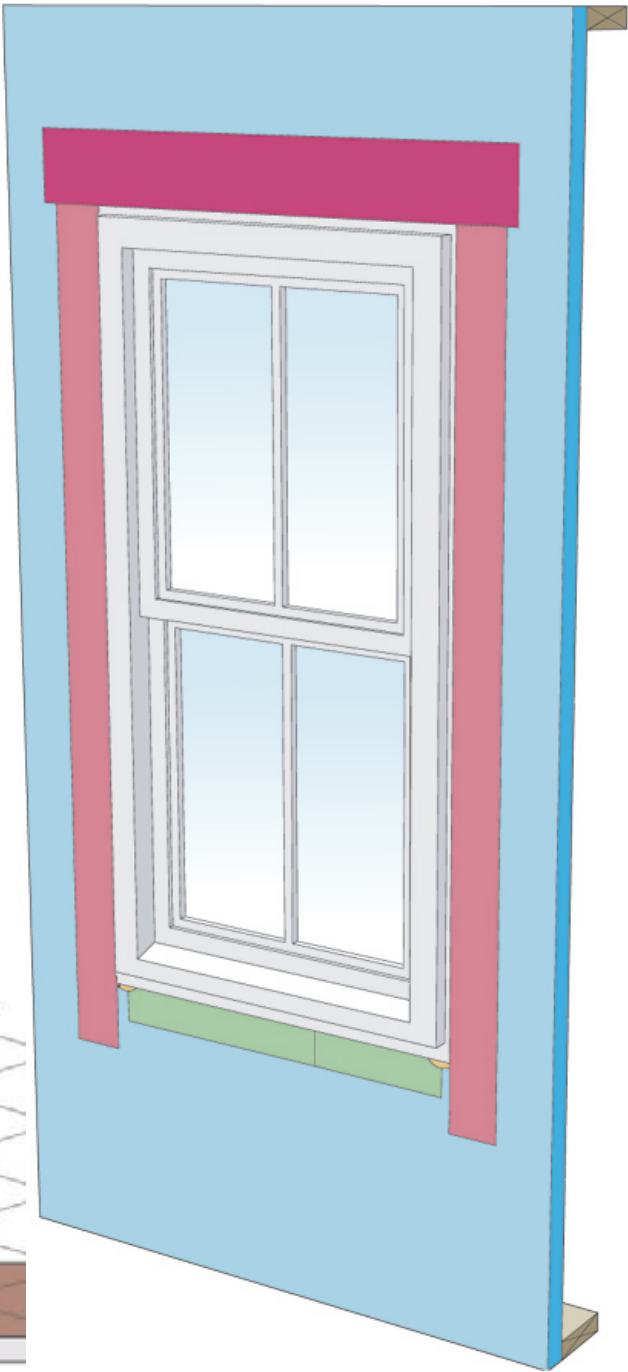
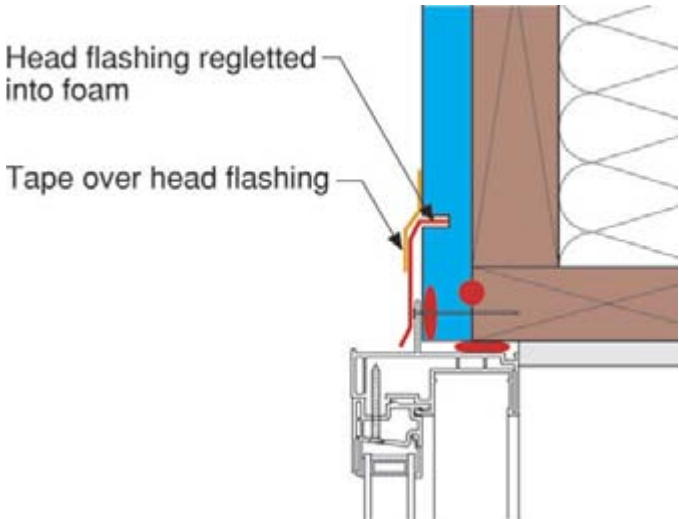


# Step 9

## Install drip cap (if applicable); install head flashing

Installation of a drip cap (if applicable) and head flashing is very important as the nailing flange at the window head can act as a reverse flashing directing water into the interior.

One method for extra protection is to create a reglet for the drip cap in the face of the sheathing above the window head.

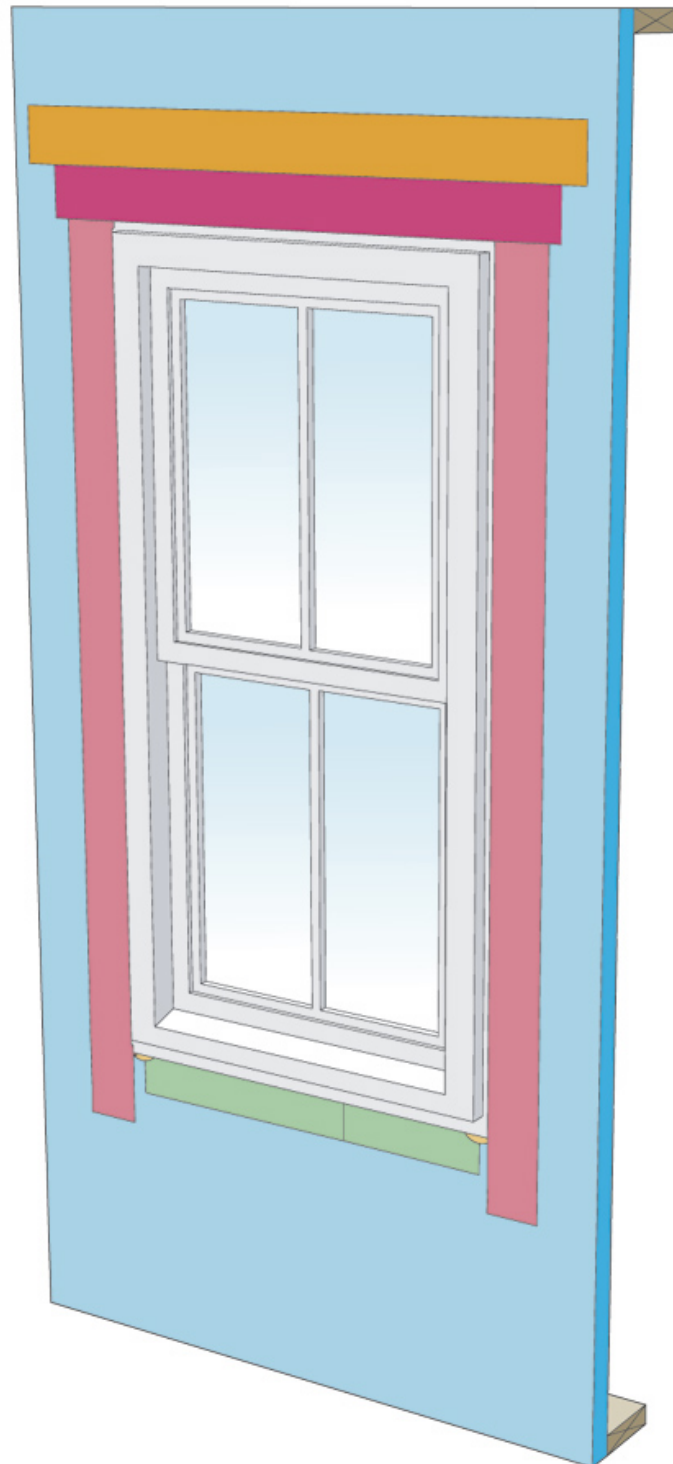


## Step 10

**Tape head flashing; air seal window around entire perimeter on the interior with sealant or non-expanding foam**

Interior sealant or non-expanding foam should be installed around the entire perimeter of the window to complete the air seal between the wall system and the window frame.

Care must be taken to ensure that the foam does not block the drainage from the sill rough opening to the exterior.



# REPORT DOCUMENTATION PAGE

*Form Approved*  
*OMB No. 0704-0188*

The public reporting burden for this collection of information is estimated to average 1 hour per response, including the time for reviewing instructions, searching existing data sources, gathering and maintaining the data needed, and completing and reviewing the collection of information. Send comments regarding this burden estimate or any other aspect of this collection of information, including suggestions for reducing the burden, to Department of Defense, Executive Services and Communications Directorate (0704-0188). Respondents should be aware that notwithstanding any other provision of law, no person shall be subject to any penalty for failing to comply with a collection of information if it does not display a currently valid OMB control number.

**PLEASE DO NOT RETURN YOUR FORM TO THE ABOVE ORGANIZATION.**

<b>1. REPORT DATE (DD-MM-YYYY)</b> May 2005		<b>2. REPORT TYPE</b> Subcontractor Report		<b>3. DATES COVERED (From - To)</b> January 1, 2004, - December 31, 2004	
<b>4. TITLE AND SUBTITLE</b> Installing Windows with Foam Sheathing on a Wood-Frame Wall: January 1, 2004 to December 31, 2004				<b>5a. CONTRACT NUMBER</b> DE-AC36-99-GO10337	
				<b>5b. GRANT NUMBER</b>	
				<b>5c. PROGRAM ELEMENT NUMBER</b>	
<b>6. AUTHOR(S)</b> Building Science Corporation				<b>5d. PROJECT NUMBER</b> NREL/SR-550-37583	
				<b>5e. TASK NUMBER</b> BET5.8004	
				<b>5f. WORK UNIT NUMBER</b>	
<b>7. PERFORMING ORGANIZATION NAME(S) AND ADDRESS(ES)</b> Building Science Corporation 70 Main St. Westford, MA 01886				<b>8. PERFORMING ORGANIZATION REPORT NUMBER</b> KAAX-3-32443-05	
<b>9. SPONSORING/MONITORING AGENCY NAME(S) AND ADDRESS(ES)</b> National Renewable Energy Laboratory 1617 Cole Blvd. Golden, CO 80401-3393				<b>10. SPONSOR/MONITOR'S ACRONYM(S)</b> NREL	
				<b>11. SPONSORING/MONITORING AGENCY REPORT NUMBER</b> NREL/SR-550-37583	
<b>12. DISTRIBUTION AVAILABILITY STATEMENT</b> National Technical Information Service U.S. Department of Commerce 5285 Port Royal Road Springfield, VA 22161					
<b>13. SUPPLEMENTARY NOTES</b> NREL Technical Monitor: R. Hendron					
<b>14. ABSTRACT (Maximum 200 Words)</b> Residential housing design continues to move toward the development of high-performance sustainable building systems. To be sustainable, a building must not only be efficient and durable but also economically viable. For these reasons, new methods of enclosure design have been examined that provide high thermal performance and long-term durability and also reduce material use (including waste), simplify or integrate systems and details, and potentially reduce overall initial costs of construction. One new idea relating to enclosure design is to use exterior foam insulating sheathing as the primary sheathing and drainage plane for the wall assembly. However, as with any building enclosure system, proper details for the management of water, vapor, and energy transfer is critical. Window systems need to be installed in such a way as to be consistent with principles of building science. Window installations also require an understanding of how to maintain the continuity of the drainage plane of the wall.					
<b>15. SUBJECT TERMS</b> Building America; Building Science Consortium; BSC; energy-efficient homes; residential housing; sustainable houses; enclosure design; exterior foam insulating sheathing; window systems					
<b>16. SECURITY CLASSIFICATION OF:</b>			<b>17. LIMITATION OF ABSTRACT</b>  UL	<b>18. NUMBER OF PAGES</b>	<b>19a. NAME OF RESPONSIBLE PERSON</b>
<b>a. REPORT</b> Unclassified	<b>b. ABSTRACT</b> Unclassified	<b>c. THIS PAGE</b> Unclassified			<b>19b. TELEPHONE NUMBER (Include area code)</b>

**Standard Form 298** (Rev. 8/98)  
Prescribed by ANSI Std. Z39.18



## A Strong Energy Portfolio for a Strong America

Energy efficiency and clean, renewable energy will mean a stronger economy, a cleaner environment, and greater energy independence for America. Working with a wide array of state, community, industry, and university partners, the U.S. Department of Energy's Office of Energy Efficiency and Renewable Energy invests in a diverse portfolio of energy technologies.

## Research and Development of Buildings

Our nation's buildings consume more energy than any other sector of the U.S. economy, including transportation and industry. Fortunately, the opportunities to reduce building energy use—and the associated environmental impacts—are significant.

DOE's Building Technologies Program works to improve the energy efficiency of our nation's buildings through innovative new technologies and better building practices. The program focuses on two key areas:

### • Emerging Technologies

Research and development of the next generation of energy-efficient components, materials, and equipment

### • Technology Integration

Integration of new technologies with innovative building methods to optimize building performance and savings

For more information contact:

EERE Information Center  
1-877-EERE-INF (1-877-337-3463)  
[www.eere.energy.gov](http://www.eere.energy.gov)



U.S. Department of Energy  
**Energy Efficiency  
and Renewable Energy**

An electronic copy of this publication is available on the Building America Web site at [www.buildingamerica.gov](http://www.buildingamerica.gov)

## Visit our Web sites at:

[www.buildingamerica.gov](http://www.buildingamerica.gov)

[www.pathnet.org](http://www.pathnet.org)

[www.energystar.gov](http://www.energystar.gov)



### Building America Program

George S. James • New Construction • 202-586-9472 • fax: 202-586-8134 • e-mail: [George.James@ee.doe.gov](mailto:George.James@ee.doe.gov)  
Terry Logee • Existing Homes • 202-586-1689 • fax: 202-586-4617 • e-mail: [terry.logee@ee.doe.gov](mailto:terry.logee@ee.doe.gov)  
Lew Pratsch • Integrated Onsite Power • 202-586-1512 • fax: 202-586-8185 • e-mail: [Lew.Pratsch@hq.doe.gov](mailto:Lew.Pratsch@hq.doe.gov)  
Building America Program • Office of Building Technologies, EE-2J • U.S. Department of Energy • 1000 Independence Avenue, S.W. • Washington, D.C. 20585-0121 • [www.buildingamerica.gov](http://www.buildingamerica.gov)

### Building Industry Research Alliance (BIRA)

Robert Hammon • ConSol • 7407 Tam O'Shanter Drive #200 • Stockton, CA 95210-3370 • 209-473-5000 • fax: 209-474-0817 • e-mail: [Rob@consol.ws](mailto:Rob@consol.ws) • [www.bira.ws](http://www.bira.ws)

### Building Science Consortium (BSC)

Betsy Pettit • Building Science Consortium (BSC) • 70 Main Street • Westford, MA 01886 • 978-589-5100 • fax: 978-589-5103 • e-mail: [Betsy@building-science.com](mailto:Betsy@building-science.com) • [www.buildingscience.com](http://www.buildingscience.com)

### Consortium for Advanced Residential Buildings (CARB)

Steven Winter • Steven Winter Associates, Inc. • 50 Washington Street • Norwalk, CT 06854 • 203-857-0200 • fax: 203-852-0741 • e-mail: [swinter@swinter.com](mailto:swinter@swinter.com) • [www.carb-swa.com](http://www.carb-swa.com)

### Davis Energy Group

David Springer • Davis Energy Group • 123 C Street • Davis, CA 95616 • 530-753-1100 • fax: 530-753-4125 • e-mail: [springer@davisenergy.com](mailto:springer@davisenergy.com) • [deg@davisenergy.com](mailto:deg@davisenergy.com) • [www.davisenergy.com/index.html](http://www.davisenergy.com/index.html)

### IBACOS Consortium

Brad Oberg • IBACOS Consortium • 2214 Liberty Avenue • Pittsburgh, PA 15222 • 412-765-3664 • fax: 412-765-3738 • e-mail: [boberg@ibacos.com](mailto:boberg@ibacos.com) • [www.ibacos.com](http://www.ibacos.com)

### Industrialized Housing Partnership (IHP)

Subrato Chandra • Florida Solar Energy Center • 1679 Clearlake Road • Cocoa, FL 32922 • 321-638-1412 • fax: 321-638-1439 • e-mail: [subrato@fsec.ucf.edu](mailto:subrato@fsec.ucf.edu) • [www.baihp.org](http://www.baihp.org)

### National Association of Home Builders (NAHB) Research Center

Tom Kenney • National Association of Home Builders (NAHB) Research Center • 400 Prince George's Boulevard • Upper Marlboro, MD 20774 • 301-430-6246 • fax: 301-430-6180 • toll-free: 800-638-8556 • [www.nahbrc.org/](http://www.nahbrc.org/)

### National Renewable Energy Laboratory

Ren Anderson • 1617 Cole Boulevard, MS-2722 • Golden, CO 80401 • 303-384-7433 • fax: 303-384-7540 • e-mail: [ren\\_anderson@nrel.gov](mailto:ren_anderson@nrel.gov) • [www.nrel.gov](http://www.nrel.gov)

Tim Merrigan • 1617 Cole Boulevard, MS-2722 • Golden, CO 80401 • 303-384-7349 • fax: 303-384-7540 • e-mail: [tim\\_merrigan@nrel.gov](mailto:tim_merrigan@nrel.gov) • [www.nrel.gov](http://www.nrel.gov)

### Oak Ridge National Laboratory

Pat M. Love • P.O. Box 2008 • One Bethel Valley Road • Oak Ridge, TN 37831 • 865-574-4346 • fax: 865-574-9331 • e-mail: [lovepm@ornl.gov](mailto:lovepm@ornl.gov) • [www.ornl.gov](http://www.ornl.gov)

Produced for the U.S. Department of Energy (DOE) by the National Renewable Energy Laboratory, a DOE national laboratory.

May 2005 • NREL/SR-550-37583

Printed with a renewable-source ink on paper containing at least 50% wastepaper, including 20% postconsumer waste.

Bringing you a prosperous future where energy is clean, abundant, reliable, and affordable