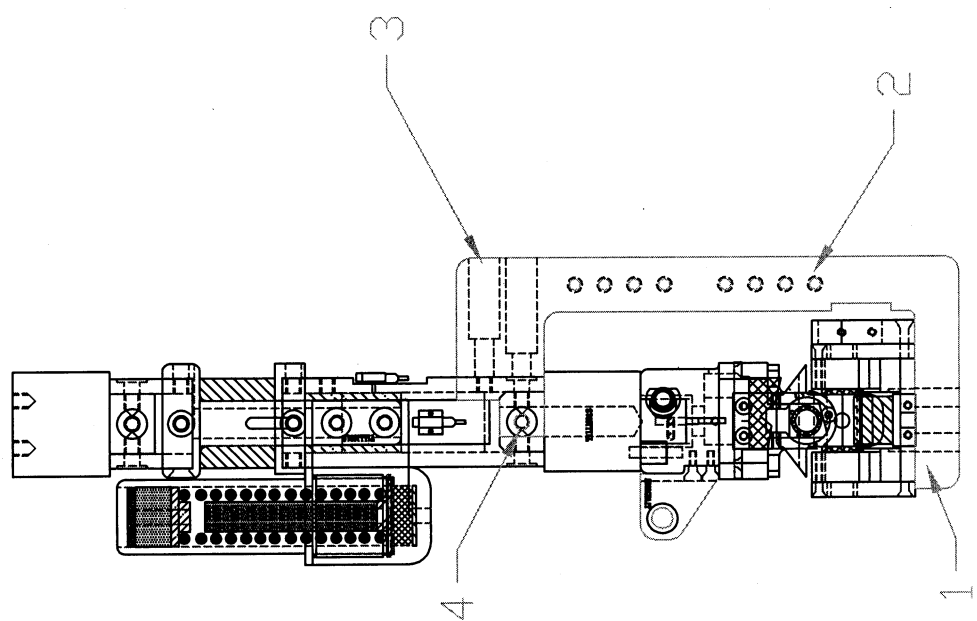


16	15	14	13	12	11	10	9	8	7	6	5	4	3	2	1		
J	I	H	G	F	E	D	C	B	A								



REV. #	ZONE	DESCRIPTION	DATE	BY
1	GENERAL	UPDATED WITH NEW CAL FIXTURE	1/9/01	D. BEACH

4	2	MCM # 912514440	1/4-28 x 3/4" SECS (ALLOY)	PURCHASED
3	2	TICEM421	CALIBRATION FIXTURE SHOULDER BOLT	SEE DWG.
2	1	TICEM420	ANKLE - ROTARY POT CAL FIXTURE	SEE DWG.
1	4	TICEM422	CALIBRATION FIXTURE SHOULDER BOLT #2	SEE DWG.
1	1	QTY DWG/PART NUMBER	DESCRIPTION	MATERIAL

UNLESS OTHERWISE SPECIFIED		ADDITIONAL HARDWARE NEEDED FOR ASSEMBLY	
ENGINEERED:	D. BEACH	DATE:	10/26/00
DRAWN:	D. BEACH	DATE:	10/26/00
APPROVED:	D. DELBRIDGE	DATE:	10/16/01
SCALE:	1=1	SIZE:	D
FINISH:	N/A	REVISION:	1

DEPARTMENT OF TRANSPORTATION	
NHTSA	
CONTRACT NO.:	DTMB 99-04-C-0000
DESIGNED BY:	CESAC, INC.
ASTC 1001 W. 10th St. # 8 BLAKE, OK 77603-5003	
DRAWING TITLE:	THOR-IX
DRAWING NUMBER:	TH1XC000
QUANTITY FOR AN ASSEMBLY:	1
QUANTITY FOR ENTIRE DUMMY:	1
SEE NOTES	

16	15	14	13	12	11	10	9	8	7	6	5	4	3	2	1																																																																																										
J	I	H	G	F	E	D	C	B	A																																																																																																
<p>NOTES:</p> <p>REFER TO THE THOR-LX (MID-MALE) USER'S MANUAL FOR WIRE ROUTING AND STRAIN RELIEF INFORMATION.</p> <p>STATIC INTERNAL / EXTERNAL ROTATION REQUIREMENTS: TORQUE RANGE: 4-7 N-m AT ±15° ROTATION</p> <p>LX SERIAL NUMBER LABEL MUST BE APPLIED TO A MINIMUM OF ONE ASSEMBLY ON THE THOR LX. RECOMMENDED FORMAT LX-### WHERE ### IS A THREE DIGIT SERIAL NUMBER UNIQUE TO EACH LX ASSEMBLY. LABEL MAY BE SELF ADHESIVE AND MAY CONTAIN ADDITIONAL INFORMATION</p>																																																																																																									
<table border="1"> <thead> <tr> <th>REV. #</th> <th>ZONE</th> <th>REASON</th> <th>DESCRIPTION</th> <th>DATE</th> <th>BY</th> </tr> </thead> <tbody> <tr> <td>1</td> <td>ITEM C</td> <td></td> <td>ADDED TIBIA GUARD AND HARDWARE</td> <td>4/21/98</td> <td>D. BEACH</td> </tr> <tr> <td>2</td> <td>ITEM B</td> <td></td> <td>ADDED KNEE ASSEMBLY AND HARDWARE</td> <td>4/21/98</td> <td>D. BEACH</td> </tr> <tr> <td>3</td> <td>NOTE 3</td> <td></td> <td>ADDED NOTE 3</td> <td></td> <td></td> </tr> <tr> <td>4</td> <td>NAME</td> <td></td> <td>CHANGED NAME AND DRAWING NUMBER</td> <td>12/9/98</td> <td>D. BEACH</td> </tr> <tr> <td>5</td> <td>GLOBAL</td> <td></td> <td>UPDATED KNEE BUMPER PROFILE</td> <td>12/22/98</td> <td>D. BEACH</td> </tr> <tr> <td>6</td> <td>GLOBAL</td> <td></td> <td>RELOCATION OF TIBIA TRIAXIAL ACCEL.</td> <td>5/17/00</td> <td>D. BEACH</td> </tr> <tr> <td>7</td> <td>GLOBAL</td> <td></td> <td>DESIGN FOR DUAL UNIAXIAL ACCELEROMETERS</td> <td>6/1/00</td> <td>D. BEACH</td> </tr> <tr> <td>8</td> <td>NOTE 3</td> <td></td> <td>MOVED NOTE #3 TO TILX000</td> <td>10/6/00</td> <td>D. BEACH</td> </tr> <tr> <td>9</td> <td>NOTE 3</td> <td></td> <td>ADDED NOTE #3 REGARDING STATIC Z-ROTATION</td> <td>11/15/00</td> <td>D. BEACH</td> </tr> <tr> <td>10</td> <td>GLOBAL</td> <td></td> <td>UPDATED KNEE CLEVIS</td> <td>1/9/01</td> <td>D. BEACH</td> </tr> <tr> <td>11</td> <td>GLOBAL</td> <td></td> <td>UPDATED NOTES AND FOOT ACCELEROMETER DRAWING</td> <td>6/28/01</td> <td>D. BEACH</td> </tr> <tr> <td>12</td> <td>GLOBAL</td> <td></td> <td>DELETED NOTE LOCATION IDENTIFIERS</td> <td>7/16/01</td> <td>C. SPAHR</td> </tr> <tr> <td>13</td> <td>NOTE 3</td> <td></td> <td>ADDED NOTE 3 REGARDING LX SERIAL NUMBER</td> <td>9/14/01</td> <td>D. BEACH</td> </tr> <tr> <td>14</td> <td>PARTS LIST</td> <td></td> <td>REMOVED TIBIA GUARD AND FASTENERS AND KNEE CLEVIS AND FASTENERS</td> <td>1/19/06</td> <td>Z. McDONALD</td> </tr> </tbody> </table>																REV. #	ZONE	REASON	DESCRIPTION	DATE	BY	1	ITEM C		ADDED TIBIA GUARD AND HARDWARE	4/21/98	D. BEACH	2	ITEM B		ADDED KNEE ASSEMBLY AND HARDWARE	4/21/98	D. BEACH	3	NOTE 3		ADDED NOTE 3			4	NAME		CHANGED NAME AND DRAWING NUMBER	12/9/98	D. BEACH	5	GLOBAL		UPDATED KNEE BUMPER PROFILE	12/22/98	D. BEACH	6	GLOBAL		RELOCATION OF TIBIA TRIAXIAL ACCEL.	5/17/00	D. BEACH	7	GLOBAL		DESIGN FOR DUAL UNIAXIAL ACCELEROMETERS	6/1/00	D. BEACH	8	NOTE 3		MOVED NOTE #3 TO TILX000	10/6/00	D. BEACH	9	NOTE 3		ADDED NOTE #3 REGARDING STATIC Z-ROTATION	11/15/00	D. BEACH	10	GLOBAL		UPDATED KNEE CLEVIS	1/9/01	D. BEACH	11	GLOBAL		UPDATED NOTES AND FOOT ACCELEROMETER DRAWING	6/28/01	D. BEACH	12	GLOBAL		DELETED NOTE LOCATION IDENTIFIERS	7/16/01	C. SPAHR	13	NOTE 3		ADDED NOTE 3 REGARDING LX SERIAL NUMBER	9/14/01	D. BEACH	14	PARTS LIST		REMOVED TIBIA GUARD AND FASTENERS AND KNEE CLEVIS AND FASTENERS	1/19/06	Z. McDONALD
REV. #	ZONE	REASON	DESCRIPTION	DATE	BY																																																																																																				
1	ITEM C		ADDED TIBIA GUARD AND HARDWARE	4/21/98	D. BEACH																																																																																																				
2	ITEM B		ADDED KNEE ASSEMBLY AND HARDWARE	4/21/98	D. BEACH																																																																																																				
3	NOTE 3		ADDED NOTE 3																																																																																																						
4	NAME		CHANGED NAME AND DRAWING NUMBER	12/9/98	D. BEACH																																																																																																				
5	GLOBAL		UPDATED KNEE BUMPER PROFILE	12/22/98	D. BEACH																																																																																																				
6	GLOBAL		RELOCATION OF TIBIA TRIAXIAL ACCEL.	5/17/00	D. BEACH																																																																																																				
7	GLOBAL		DESIGN FOR DUAL UNIAXIAL ACCELEROMETERS	6/1/00	D. BEACH																																																																																																				
8	NOTE 3		MOVED NOTE #3 TO TILX000	10/6/00	D. BEACH																																																																																																				
9	NOTE 3		ADDED NOTE #3 REGARDING STATIC Z-ROTATION	11/15/00	D. BEACH																																																																																																				
10	GLOBAL		UPDATED KNEE CLEVIS	1/9/01	D. BEACH																																																																																																				
11	GLOBAL		UPDATED NOTES AND FOOT ACCELEROMETER DRAWING	6/28/01	D. BEACH																																																																																																				
12	GLOBAL		DELETED NOTE LOCATION IDENTIFIERS	7/16/01	C. SPAHR																																																																																																				
13	NOTE 3		ADDED NOTE 3 REGARDING LX SERIAL NUMBER	9/14/01	D. BEACH																																																																																																				
14	PARTS LIST		REMOVED TIBIA GUARD AND FASTENERS AND KNEE CLEVIS AND FASTENERS	1/19/06	Z. McDONALD																																																																																																				
<table border="1"> <thead> <tr> <th>QTY</th> <th>DWG/PART NUMBER</th> <th>DESCRIPTION</th> <th>MATERIAL</th> </tr> </thead> <tbody> <tr> <td>C 1</td> <td>TILX000</td> <td>LOWER LEG - MECHANICAL ASSEMBLY</td> <td>SEE DWG.</td> </tr> <tr> <td>B 1</td> <td>TILX000</td> <td>ANGLE - MECHANICAL ASSEMBLY</td> <td>SEE DWG.</td> </tr> <tr> <td>A 1</td> <td>TILX000</td> <td>FOOT - MECHANICAL ASSEMBLY</td> <td>SEE DWG.</td> </tr> </tbody> </table>																QTY	DWG/PART NUMBER	DESCRIPTION	MATERIAL	C 1	TILX000	LOWER LEG - MECHANICAL ASSEMBLY	SEE DWG.	B 1	TILX000	ANGLE - MECHANICAL ASSEMBLY	SEE DWG.	A 1	TILX000	FOOT - MECHANICAL ASSEMBLY	SEE DWG.																																																																										
QTY	DWG/PART NUMBER	DESCRIPTION	MATERIAL																																																																																																						
C 1	TILX000	LOWER LEG - MECHANICAL ASSEMBLY	SEE DWG.																																																																																																						
B 1	TILX000	ANGLE - MECHANICAL ASSEMBLY	SEE DWG.																																																																																																						
A 1	TILX000	FOOT - MECHANICAL ASSEMBLY	SEE DWG.																																																																																																						
<table border="1"> <thead> <tr> <th colspan="2">UNLESS OTHERWISE SPECIFIED</th> <th>DATE:</th> <th>12/9/97</th> </tr> <tr> <th colspan="2">DIMENSIONS ARE IN INCHES</th> <th>ENGINEER:</th> <th>D. BEACH</th> </tr> <tr> <th colspan="2">Tolerances</th> <th>DATE:</th> <th>12/9/97</th> </tr> <tr> <td>Assemblies</td> <td>± 1/4</td> <td>DRAWN: <td>D. BEACH</td> </td></tr> <tr> <td>Fractional</td> <td>± 1/64</td> <td>APPROVED: <td></td> </td></tr> <tr> <td>Decimials</td> <td>± .01</td> <td>D. DELBRIDGE <td>10/9/01</td> </td></tr> <tr> <td></td> <td>± .005</td> <td>SCALE <td>1=1 D</td> </td></tr> <tr> <td></td> <td></td> <td>SIZE <td>D</td> </td></tr> <tr> <td></td> <td></td> <td>REVISION <td>14</td> </td></tr> <tr> <td></td> <td></td> <td>QUANTITY FOR AN ASSEMBLY <td>1</td> </td></tr> <tr> <td></td> <td></td> <td>FINISH <td>N/A</td> </td></tr> </thead> </table>																UNLESS OTHERWISE SPECIFIED		DATE:	12/9/97	DIMENSIONS ARE IN INCHES		ENGINEER:	D. BEACH	Tolerances		DATE:	12/9/97	Assemblies	± 1/4	DRAWN: <td>D. BEACH</td>	D. BEACH	Fractional	± 1/64	APPROVED: <td></td>		Decimials	± .01	D. DELBRIDGE <td>10/9/01</td>	10/9/01		± .005	SCALE <td>1=1 D</td>	1=1 D			SIZE <td>D</td>	D			REVISION <td>14</td>	14			QUANTITY FOR AN ASSEMBLY <td>1</td>	1			FINISH <td>N/A</td>	N/A																																														
UNLESS OTHERWISE SPECIFIED		DATE:	12/9/97																																																																																																						
DIMENSIONS ARE IN INCHES		ENGINEER:	D. BEACH																																																																																																						
Tolerances		DATE:	12/9/97																																																																																																						
Assemblies	± 1/4	DRAWN: <td>D. BEACH</td>	D. BEACH																																																																																																						
Fractional	± 1/64	APPROVED: <td></td>																																																																																																							
Decimials	± .01	D. DELBRIDGE <td>10/9/01</td>	10/9/01																																																																																																						
	± .005	SCALE <td>1=1 D</td>	1=1 D																																																																																																						
		SIZE <td>D</td>	D																																																																																																						
		REVISION <td>14</td>	14																																																																																																						
		QUANTITY FOR AN ASSEMBLY <td>1</td>	1																																																																																																						
		FINISH <td>N/A</td>	N/A																																																																																																						
<table border="1"> <thead> <tr> <th colspan="2">ADDITIONAL HARDWARE NEEDED FOR ASSEMBLY</th> <th>DEPARTMENT OF TRANSPORTATION</th> </tr> <tr> <th colspan="2"></th> <th>NHTSA</th> </tr> <tr> <th colspan="2"></th> <th>CONTRACT NO.: DTRC 88-04-C-0700</th> </tr> <tr> <th colspan="2"></th> <th>DESIGNED BY: GESSAC, INC.</th> </tr> <tr> <th colspan="2"></th> <th>ASTC</th> </tr> <tr> <th colspan="2"></th> <th>10710 HWY 98</th> </tr> <tr> <th colspan="2"></th> <th>HOUSTON, TX 77060</th> </tr> <tr> <th colspan="2"></th> <th>DRAWING TITLE: THOR-LX</th> </tr> <tr> <th colspan="2"></th> <th>LOWER MECHANICAL ASSEMBLY</th> </tr> <tr> <th colspan="2"></th> <th>DRAWING NUMBER: TILX0001</th> </tr> <tr> <th colspan="2"></th> <th>Page 1/1</th> </tr> </thead> </table>																ADDITIONAL HARDWARE NEEDED FOR ASSEMBLY		DEPARTMENT OF TRANSPORTATION			NHTSA			CONTRACT NO.: DTRC 88-04-C-0700			DESIGNED BY: GESSAC, INC.			ASTC			10710 HWY 98			HOUSTON, TX 77060			DRAWING TITLE: THOR-LX			LOWER MECHANICAL ASSEMBLY			DRAWING NUMBER: TILX0001			Page 1/1																																																									
ADDITIONAL HARDWARE NEEDED FOR ASSEMBLY		DEPARTMENT OF TRANSPORTATION																																																																																																							
		NHTSA																																																																																																							
		CONTRACT NO.: DTRC 88-04-C-0700																																																																																																							
		DESIGNED BY: GESSAC, INC.																																																																																																							
		ASTC																																																																																																							
		10710 HWY 98																																																																																																							
		HOUSTON, TX 77060																																																																																																							
		DRAWING TITLE: THOR-LX																																																																																																							
		LOWER MECHANICAL ASSEMBLY																																																																																																							
		DRAWING NUMBER: TILX0001																																																																																																							
		Page 1/1																																																																																																							