



U.S. Department
of Transportation
Federal Highway

Administration

400 Seventh St., S.W.
Washington, D.C.
20590

Refer to: HSA-10/WZ-92

MR. HENRY A. ROSS, DIRECTOR
SALES AND MARKETING
UNITED RENTALS HIGHWAY TECHNOLOGIES
880 NORTH ADDISON ROAD
P.O. BOX 7050
VILLA PARK, IL 60181-7050

Dear Mr. Ross:

THANK YOU FOR YOUR LETTER OF JUNE 6 REQUESTING FEDERAL HIGHWAY ADMINISTRATION (FHWA) ACCEPTANCE OF YOUR COMPANY'S AX BARRICADES WITH LIGHTS AS CRASHWORTHY TRAFFIC CONTROL DEVICES FOR USE IN WORK ZONES ON THE NATIONAL HIGHWAY SYSTEM (NHS). Accompanying your letter was a report of crash testing conducted by E-Tech Testing Services along with a video of the test. You requested that we find this device acceptable for use on the NHS under the provisions of National Cooperative Highway Research Program (NCHRP) Report 350 "Recommended Procedures for the Safety Performance Evaluation of Highway Features."

Introduction

The FHWA guidance on crash testing of work zone traffic control devices is contained in two memoranda. The first, dated July 25, 1997, titled "INFORMATION: Identifying Acceptable Highway Safety Features," established four categories of work zone devices: Category I devices were those lightweight devices which could be self-certified by the vendor, Category II devices were other lightweight devices which needed individual crash testing, Category III devices were barriers and other fixed or massive devices also needing crash testing, and Category IV devices were trailer mounted lighted signs, arrow panels, etc. The second guidance memorandum was issued on August 28, 1998, and is titled "INFORMATION: Crash Tested Work Zone Traffic Control Devices." This later memorandum lists devices that are acceptable under Categories I, II, and III.

A brief description of the device for which you are requesting acceptance follows:

The AX Barricade is a MUTCD Type I barricade featuring a single 203 mm wide by 1220 mm long and 13 mm thick hollow extruded polypropylene plastic panel. The panel, with retroreflective sheeting, is supported by four 19 mm nominal size Electrical Metallic Tubing (EMT) legs. The legs are connected to the panel with 9.5 mm diameter ASTM A307 hex bolts and locknuts using an arrangement of springs and steel channels that allow each leg to be pivoted up for storage and transport. The steel channels in the pivot arrangement fasten to the panel with

6.35 mm diameter ASTM Grade 5 hex bolts and lock washers. When deployed the top edge of the panel is a nominal 914 mm above the ground. The tested AX barricades were tested with ToughLite 2000 warning lights using a standard tamper-proof warning light bolt. A flat washer was used between the head of the bolt and the panel. The mass of the barricade with light was 6.1 kg.

TESTING

FULL-SCALE AUTOMOBILE TESTING WAS CONDUCTED ON YOUR COMPANY'S DEVICES. TWO STAND-ALONE EXAMPLES OF THE DEVICE WERE TESTED IN TANDEM, ONE HEAD-ON AND THE NEXT PLACED SIX METERS DOWNSTREAM TURNED AT 90 DEGREES, AS CALLED FOR IN OUR GUIDANCE MEMORANDA. THE COMPLETE DEVICE AS TESTED IS SHOWN IN ENCLOSURE 1.

THE CRASH TEST IS SUMMARIZED IN THE TABLE BELOW:

TEST NUMBER	05-3721-010
TEST ARTICLE	AX BARRICADE
HEIGHT TO BOTTOM OF PANEL	711 MM
HEIGHT TO TOP OF PANEL	914 MM
FLAGS OR LIGHTS	ONE TOUGHLITE 2000
TEST ARTICLE MASS (EACH)	6.1 KG
VEHICLE INERTIAL MASS	825 KG
IMPACT SPEED, HEAD-ON	104.7
IMPACT SPEED, 90 DEG.	103.9
VELOCITY CHANGE, HEAD-ON	0.2 M/S
VELOCITY CHANGE, 90 DEG.	0.25 M/S
VEHICLE CRUSH	MODERATE DAMAGE TO BUMPER, GRILLE, AND HOOD
OCCUPANT COMPART. INTRUSION	NONE
WINDSHIELD DAMAGE	NONE

Findings

Damage was limited to moderate damage to the bumper, grille, and hood. Although the light separated from the barricade it either glanced off the windshield or did not contact it at all. The results of the testing met the FHWA requirements and, therefore, the devices described above and shown in the enclosed drawings for reference are acceptable for use as Test Level 3 devices on the NHS under the range of conditions tested, when proposed by a State.

Please note the following standard provisions which apply to FHWA letters of acceptance:

- Our acceptance is limited to the crashworthiness characteristics of the devices and does not cover their structural features, nor conformity with the Manual on Uniform Traffic Control Devices.
- Any changes that may adversely influence the crashworthiness of the device will require a new acceptance letter.
- Should the FHWA discover that the qualification testing was flawed, that in-service performance reveals unacceptable safety problems, or that the device being marketed is significantly different from the version that was crash tested, it reserves the right to modify or revoke its acceptance.
- You will be expected to supply potential users with sufficient information on design and installation requirements to ensure proper performance.
- You will be expected to certify to potential users that the hardware furnished has essentially the same chemistry, mechanical properties, and geometry as that submitted for acceptance, and that they will meet the crashworthiness requirements of FHWA and NCHRP Report 350.
- To prevent misunderstanding by others, this letter of acceptance, designated as number WZ-92 shall not be reproduced except in full. This letter, and the test documentation upon which this letter is based, is public information. All such letters and documentation may be reviewed at our office upon request.
- United Rentals work zone traffic control devices may include patented components and if so are considered "proprietary." The use of proprietary work zone traffic control devices in Federal-aid projects is generally of a temporary nature. They are selected by the contractor for use as needed and removed upon completion of the project. Under such conditions they can be presumed to meet requirement "a" given below for the use of proprietary products on Federal-aid projects. On the other hand, if proprietary devices are specified for use on Federal-aid projects, except exempt, non-NHS projects, they: (a) must be supplied through competitive bidding with equally suitable unpatented items; (b) the highway agency must certify that they are essential for synchronization with existing highway facilities or that no equally suitable alternative exists or; (c) they must be used for research or for a distinctive type of construction on relatively short sections of road for experimental purposes. Our regulations concerning proprietary products are contained in Title 23, Code of Federal Regulations, Section 635.411, a copy of which is enclosed.

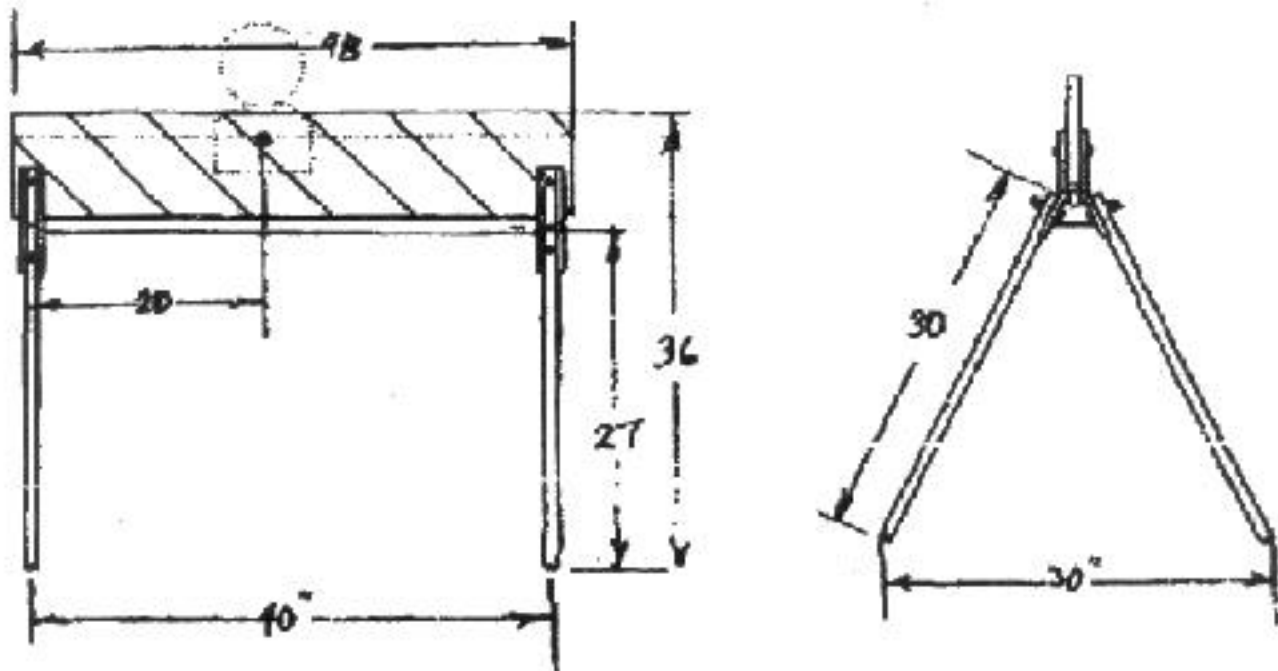
Sincerely yours,

Frederick G. Wright, Jr.
Program Manager, Safety

Enclosure



C. Illustrations



1	Each	4' x 8' x 1/2" Polypropylene Panel
2	Each	80 Reflective Strapping 4' x 8"
4	Each	Leg Brackets - 1/8" steel channel x 1" x 1/2" flange x 8" long
2	Each	1" x 1/2" x 3-3/4" Steel
1	Each	40' W' Conduit (Cross Piece)
4	Each	30' W' Conduit (Legs)
4	Each	Straps (Legs)
4	Each	3/8" x 2-3/4" Hex Head Bolts - Grade 2
4	Each	3/8" Locknuts
2	Each	1/2" x 1-1/4" Hex Head Bolts - Grade 5
2	Each	1/2" Locknuts
2	Each	Spacers
2	Each	1/2" x 1-1/4" Hex Head Bolts (Light Support System)
2	Each	1/2" Locknuts (Light Support System)
4	Each	1/2" Flat Washers (Light Support System)

Illustration 1. United Rentals AX Barricade (1 of 1)