



US Army Corps
of Engineers ®



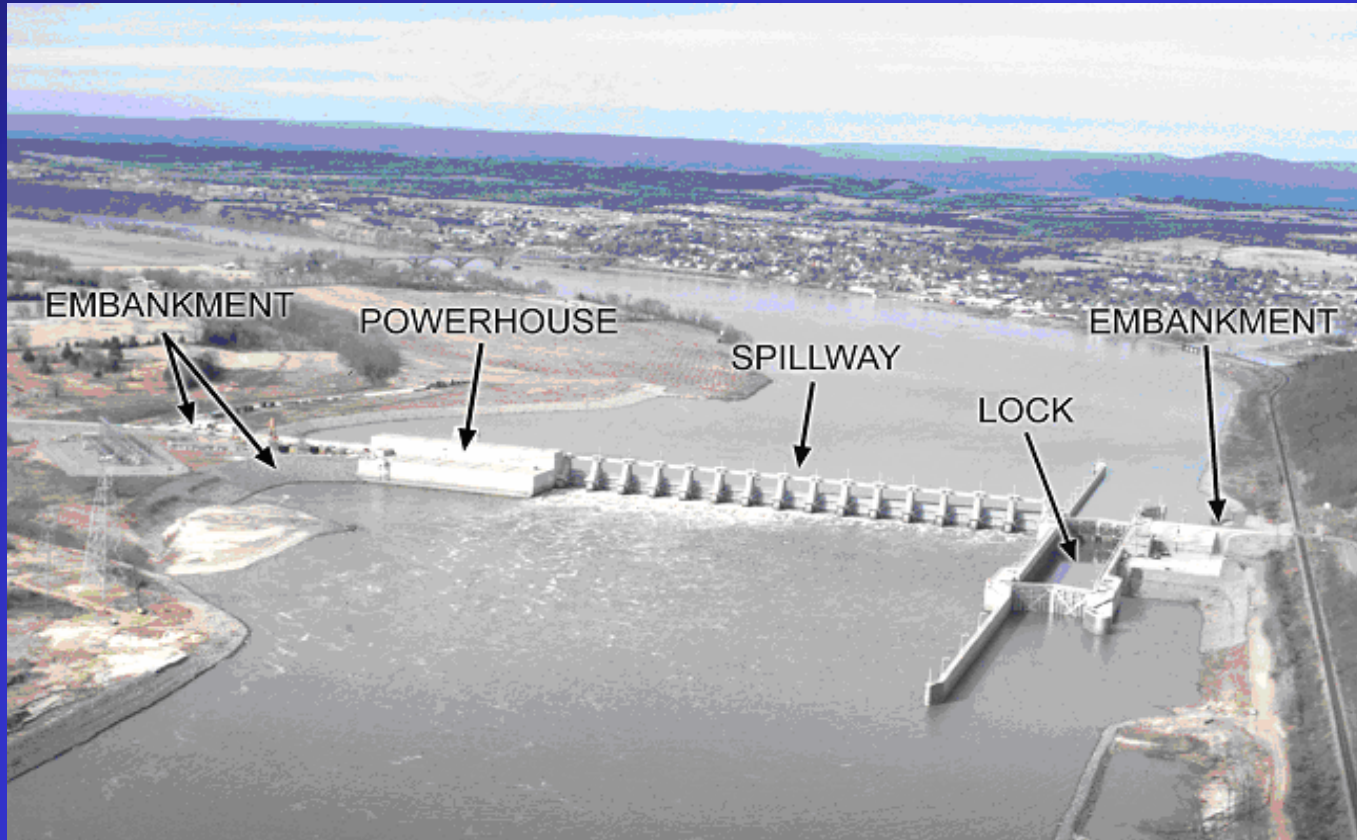
OZARK MAJOR REHABILITATION PROJECT

Mark Dixon
Little Rock District

One Corps Serving The Army and the Nation



US Army Corps
of Engineers ®

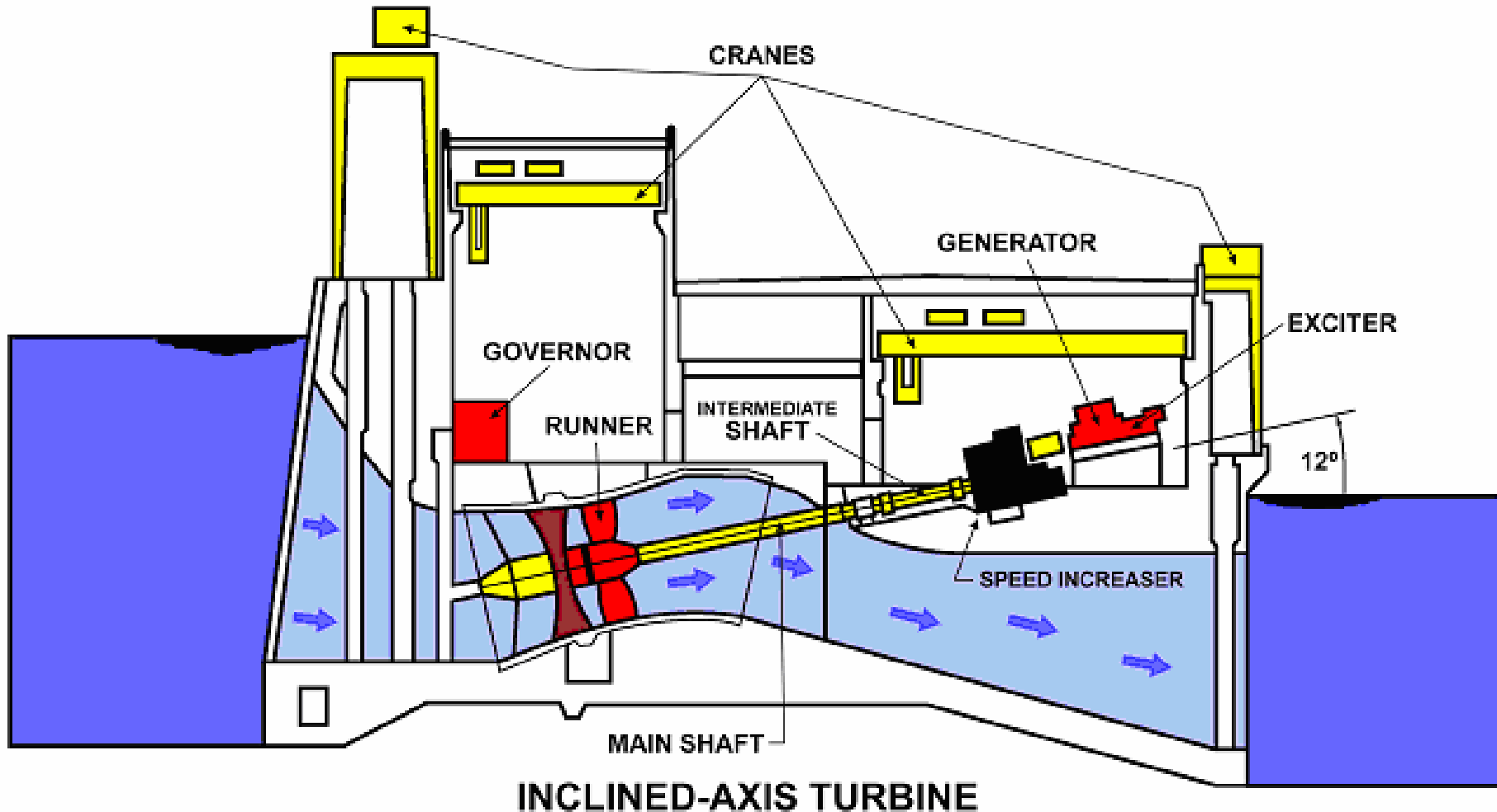


***Ozark Jeta Taylor
Lock, Dam and Powerhouse
One Corps Serving The Army and the Nation***



US Army Corps
of Engineers ®

Ozark Major Rehabilitation





US Army Corps
of Engineers ®

Turbine Replacement Contract



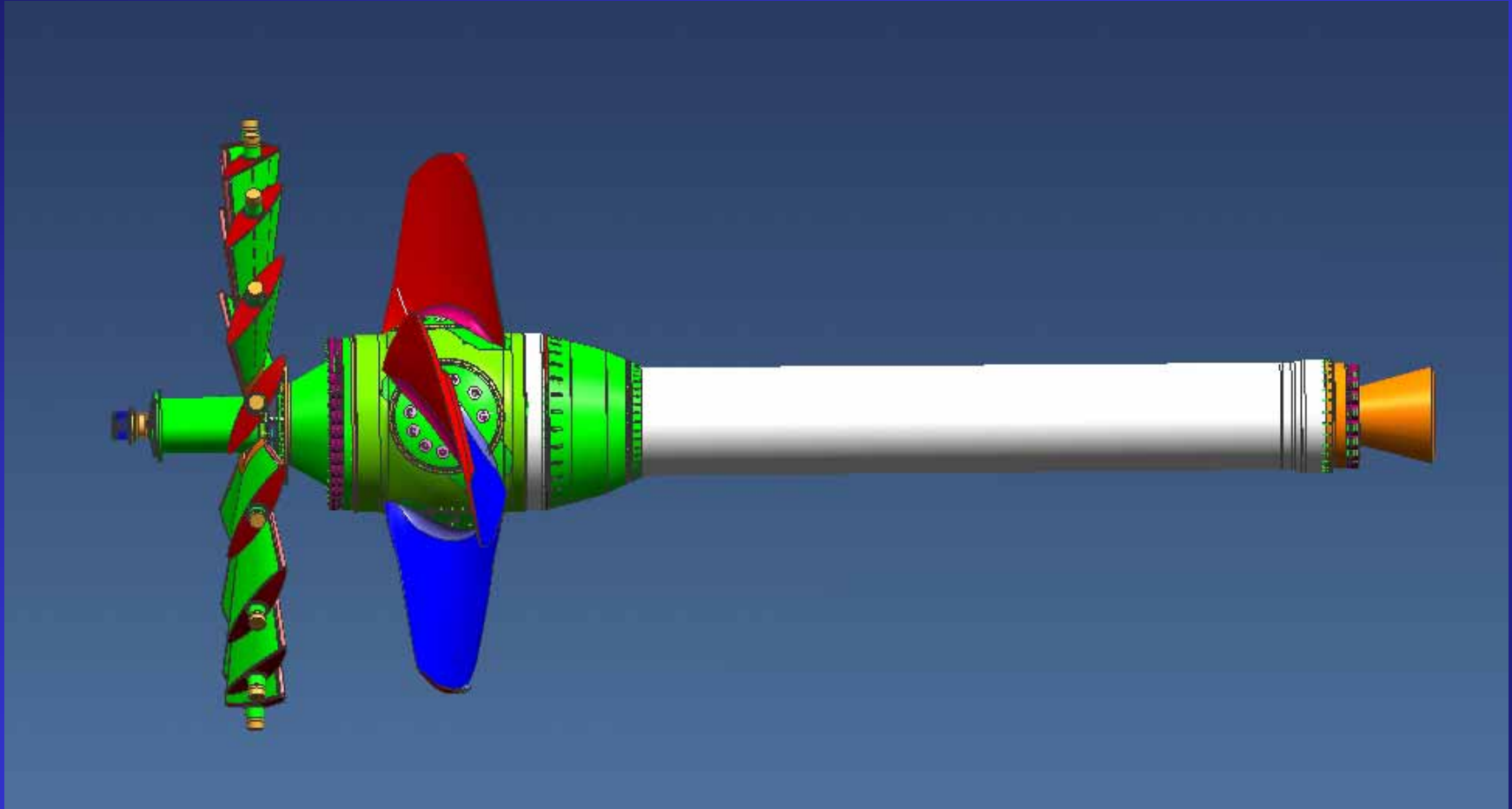
- **Contract Award 3 May 2005**
- **Contract Notice to Proceed Issued 6 July 2005**
- **Contractor- VA Tech Hydro Inc.**
- **Model Testing Completed 11 April 2006**
- **Design Review Meeting Held 23 May 2006**
- **Procurement and Fabrication is Proceeding**

One Corps Serving The Army and the Nation



US Army Corps
of Engineers ®

New Runner Design

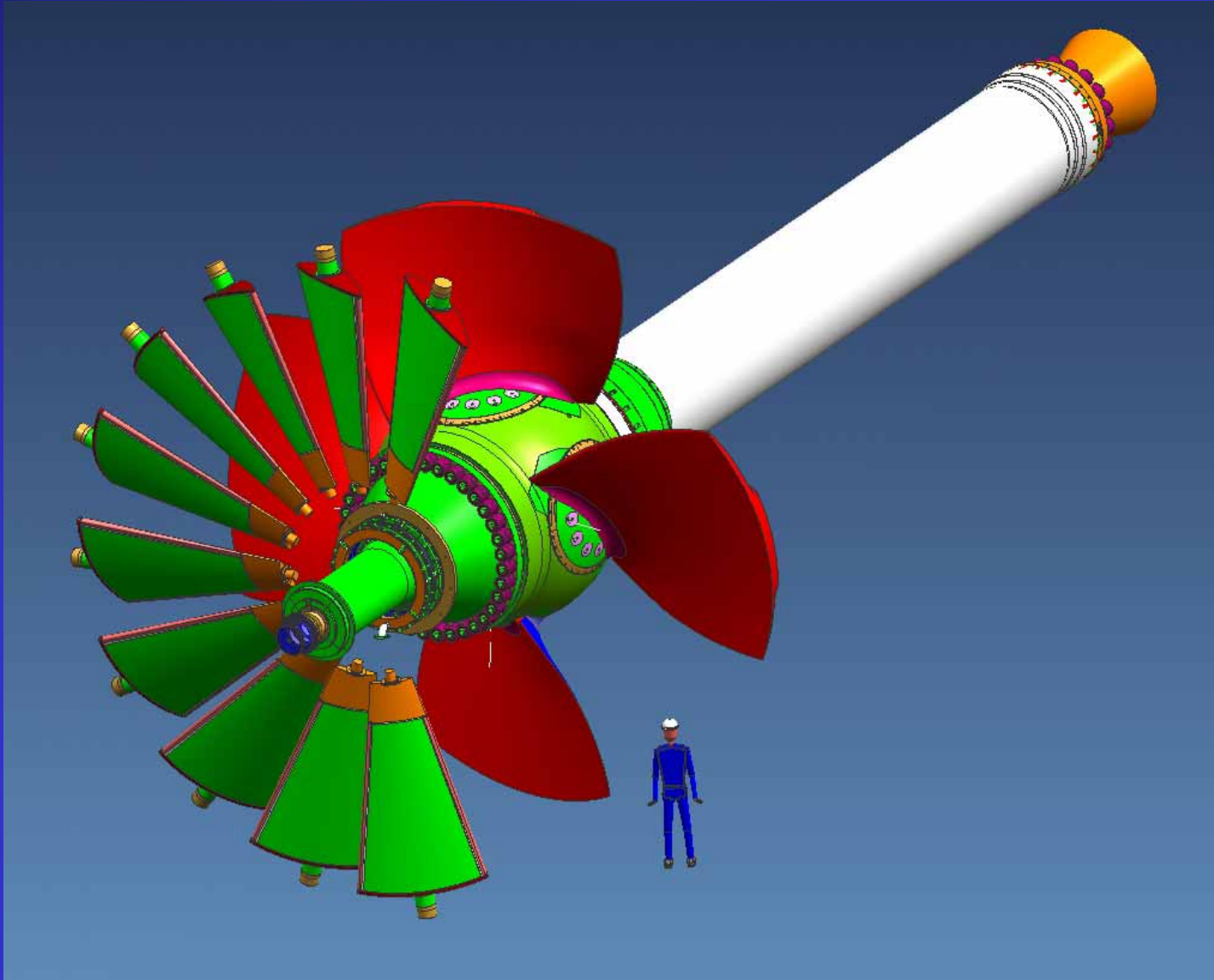


One Corps Serving The Army and the Nation



US Army Corps
of Engineers ®

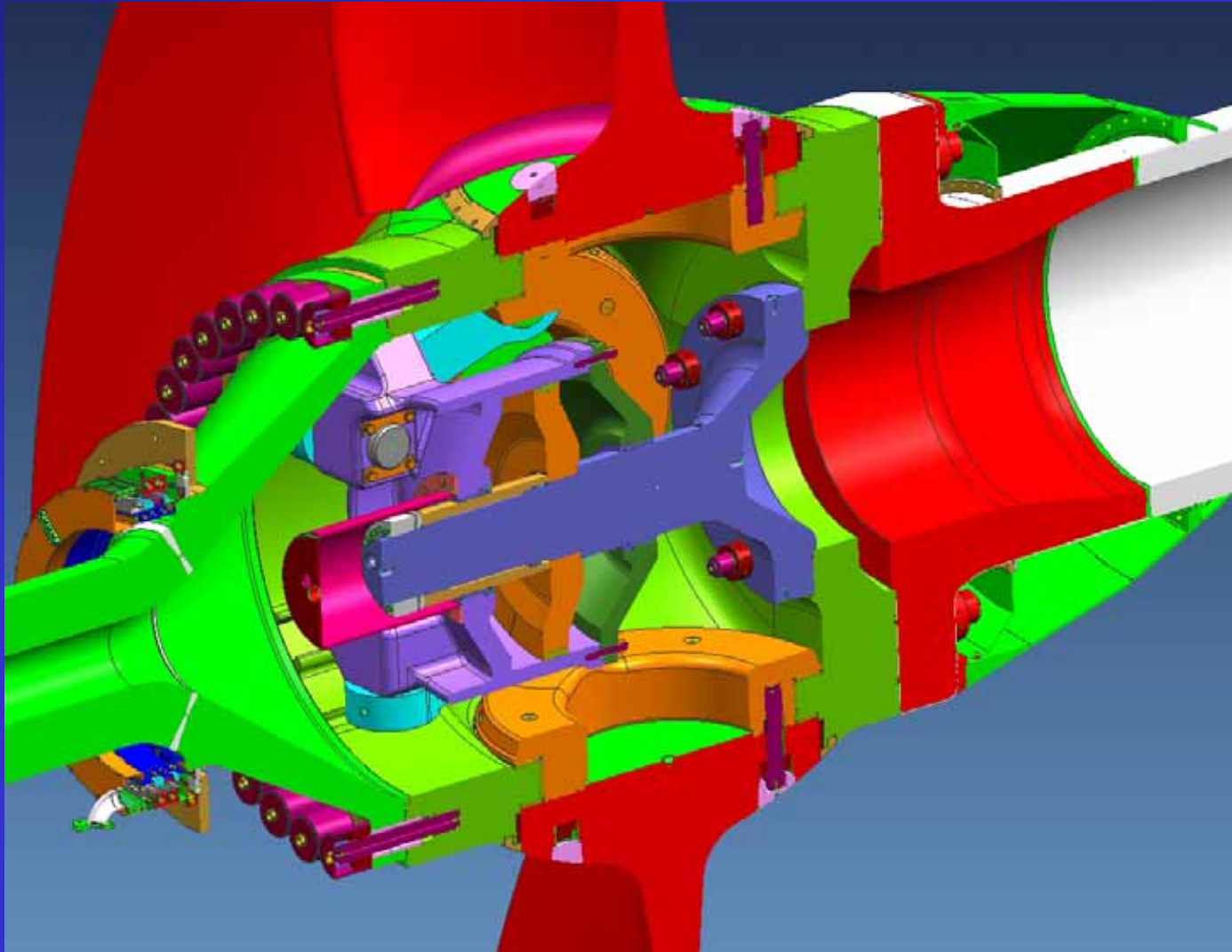
New Runner Design





US Army Corps
of Engineers ®

Hub Internals





US Army Corps
of Engineers ®

Turbine Model



One Corps Serving The Army and the Nation



US Army Corps
of Engineers ®





US Army Corps
of Engineers ®





US Army Corps
of Engineers ®





US Army Corps
of Engineers ®





US Army Corps
of Engineers ®



One Corps Serving The Army and the Nation



US Army Corps
of Engineers ®





US Army Corps
of Engineers ®

Turbine Replacement Contract



- **Unit 4 Dissassembly begins** **April 2007**
- **Unit 4 Back In Service** **April 2008**
- **Last Unit Back in Service** **September 2012**

One Corps Serving The Army and the Nation



US Army Corps
of Engineers ®

Ozark Major Rehabilitation



- **Current Project Estimate** **\$84.6 M**
- **Estimated Expenses thru Sep 2007** **\$24.0 M**
- **Federal Appropriations to Date** **\$5.4 M**
- **Customer Commitments to Date** **\$14.4 M**

One Corps Serving The Army and the Nation



US Army Corps
of Engineers ®

Ozark Major Rehab



- Current Issues
 - No Funding in FY 2007 President's Budget
 - Project competed with other projects as a "New Start"
 - Hydro Projects Competed Poorly with other Business Lines
 - House Conference Report Does not Include 2007 Funding

One Corps Serving The Army and the Nation



US Army Corps
of Engineers ®

Ozark Major Rehabilitation



- Funding Outlook for FY 2008 is more hopeful
- Renewed Administration Interest in Alternative Energy Supplies May Help Boost Hydro Funding

One Corps Serving The Army and the Nation