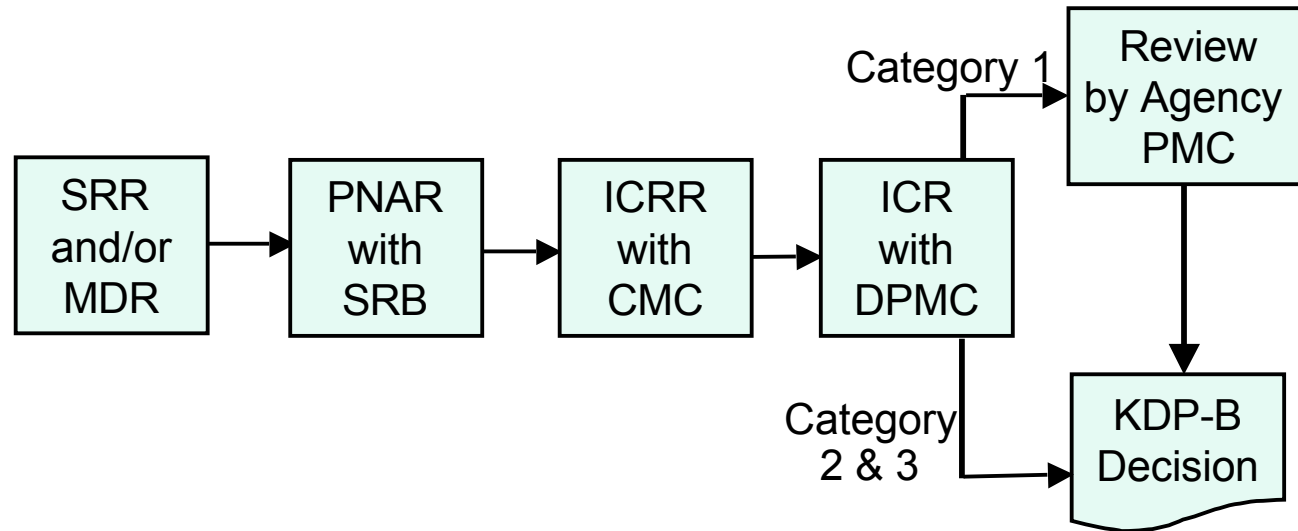


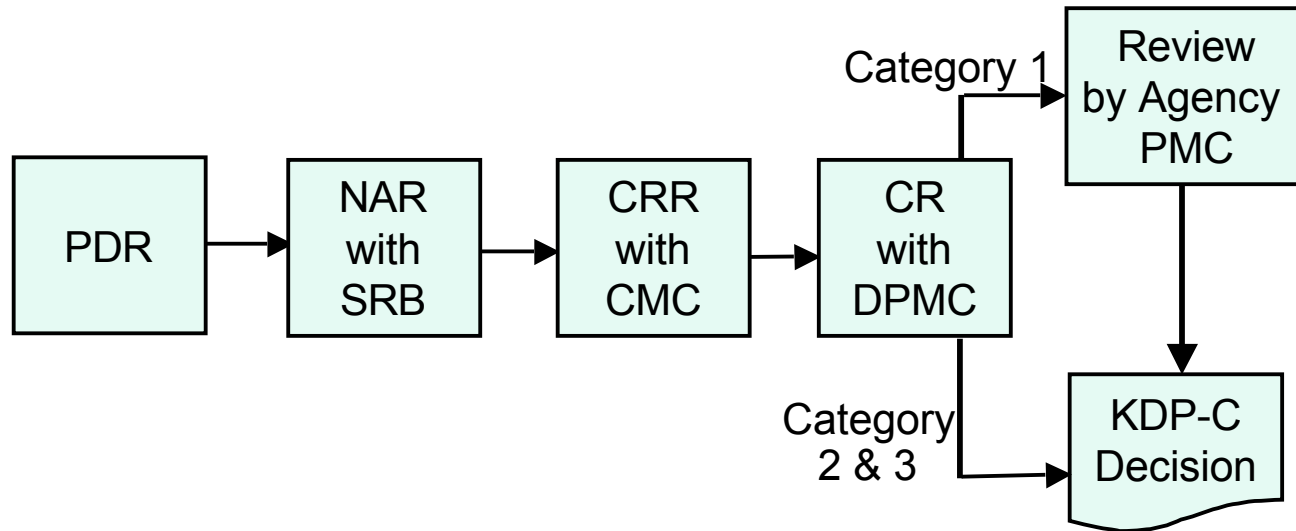
SMD Initial Confirmation Process for KDP-B



Acronyms:

CMC = Center Management Council
DPMC = Directorate Program Mgmt Council
ICR = Initial Confirmation Review
ICRR = Initial Confirmation Readiness Review
KDP = Key Decision Point
MDR = Mission Definition Review
PMC = Program Management Council
PNAR = Preliminary Non-Advocate Review
SRB = Standing Review Board
SRR = Systems Requirements Review

SMD Confirmation Process for KDP-C



Acronyms:

CMC = Center Management Council
CR = Confirmation Review
CRR = Initial Confirmation Readiness Review
DPMC = Directorate Program Mgmt Council
KDP = Key Decision Point
NAR = Non-Advocate Review
PDR = Preliminary Design Review
PMC = Program Management Council
SRB = Standing Review Board