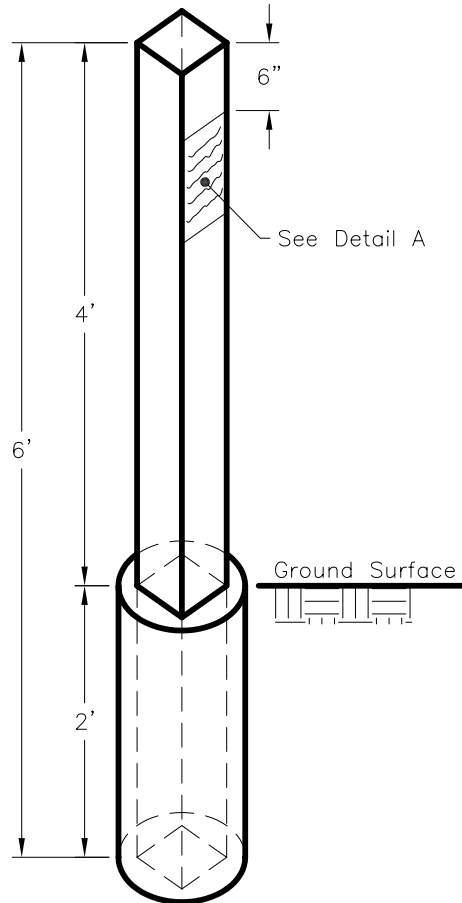


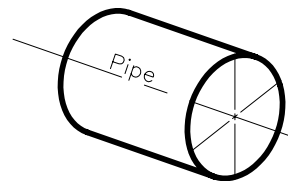
DETAIL A



Notes:

1. Posts to be 4"x4" foundation grade Redwood or pressure treated Douglas Fir
2. Posts to be encased in concrete - 8" diameter x 2' deep
3. Posts shall be painted white using 2 coats
4. Use 1/2" block black lettering on both sides of the post in line with the pipe
5. Posts shall state diameter and type of pipe as follows:

Examples: 1) 8-INCH WATER MAIN    2) 24-INCH WASTE WATER    3) 12-INCH STORM DRAIN



Dr. KT	No.	Date	Revision	Appr.	Approved By: <i>F. Wally Sandelin</i>	12/28/00 Date	STD PLAN <b>505</b>
Ch. WS					F. Wally Sandelin City Engineer R.C.E. 39895		
Date 12/00							