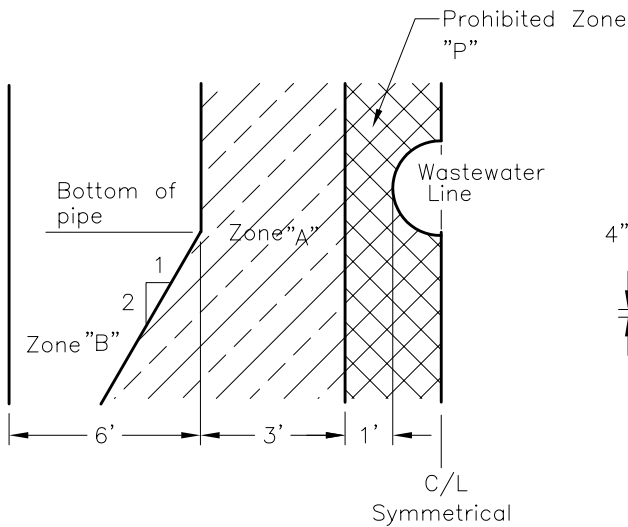




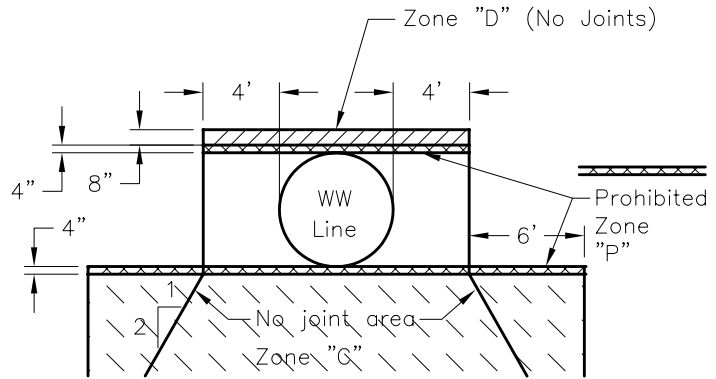
# CITY OF LODI

PUBLIC WORKS DEPARTMENT

## Water Main Separation from Sanitary Hazard—New Water Main Construction



CASE 2  
New Water Line  
Parallel Construction



CASE 2  
New Water Line  
Crossing

### WATER MAIN CONSTRUCTION REQUIREMENTS

**ZONE**

A	B	C	D	P
Requires specific approval of the City Engineer with details shown on the plans.	Pipe: Ductile Iron pipe; PVC, Class 200.  Normal pipe standards apply if wastewater line meets Zone B requirements per Std. Plan 415A.	Pipe: Per Zone B Note "no joint" area under Wastewater line.  Normal pipe standards apply if wastewater line meets Zone B requirements per Std. Plan 415A.	Pipe: Per Zone B No joint allowed.  Normal pipe standards apply if wastewater line meets Zone B requirements per Std. Plan 415A.	Prohibited – No new water mains in this area.

Notes:

1. This Standard Plan shows normal construction requirements/options for reduced separation of new water mains from sanitary sewers (including services, see Note 3) and storm drains (including mains & laterals). It does not apply to pipes over 24 inches in diameter or to force mains. See State Dept. of Health Services Standards for other situations and additional alternatives.
2. Plans shall reference this Standard for specific locations and shall note the zone and construction requirement, or provide details on the plans.
3. Water mains crossing over services shall maintain 4" min. clearance.
4. All pipe materials and installation shall be per City of Lodi Design Standards and Construction Specifications.

Dr. KT	No.	Date	Revision	Appr.	Approved By:	 F. Wally Sandelin City Engineer R.C.E. 39895	12/28/00 Date	STD PLAN			
Ch. WS					 F. Wally Sandelin City Engineer R.C.E. 39895			12/28/00 Date	<b>415B</b>		
Date										12/28/00 Date	<b>415B</b>
12/00											