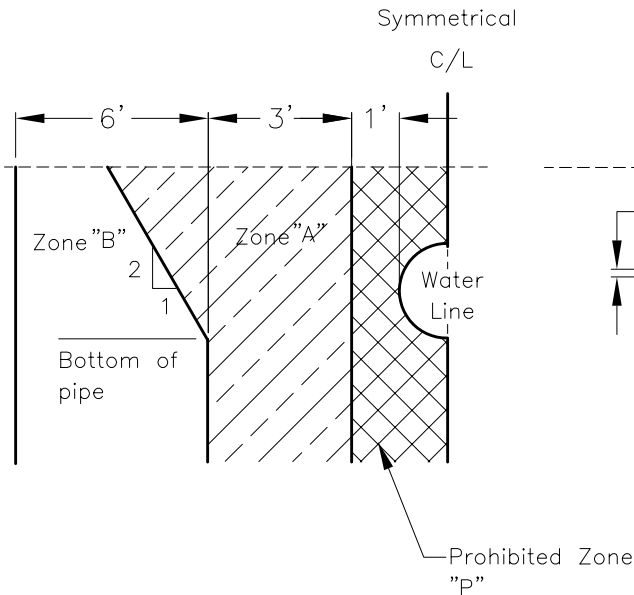




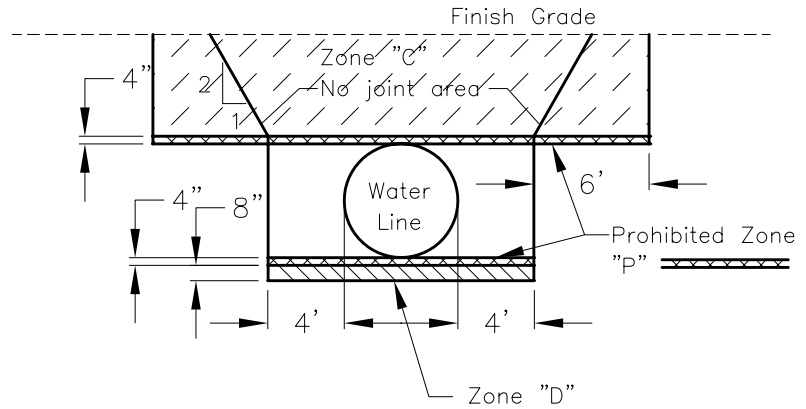
CITY OF LODI

PUBLIC WORKS DEPARTMENT

Water Main Separation from Sanitary Hazard—New Wastewater Line Construction



CASE 1
New Wastewater Line
Parallel Construction



CASE 1
New Wastewater Line
Crossing

WASTEWATER LINE CONSTRUCTION REQUIREMENTS

ZONE

A	B	C	D	P
Requires specific approval of the City Engineer details on plans	Pipe: ESVCV, bell & spigot joint only; PVC water pipe; Ductile Iron pipe. (Storm Drain only—Conc. Pipe)	Pipe: Ductile Iron or Class 200 PVC water pipe centered over water main. Note the "No Joint" area over water main	Pipe: Same as Zone C, no joints allowed	Prohibited—No new wastewater line in this area

Notes:

1. This Standard Plan shows normal construction requirements/options for reduced separation of existing water mains from new sanitary sewers and storm drains (including mains & laterals). It does not apply to pipes over 24 inches in diameter, to force mains or to services crossing under a water main (see Note 3). See State Dept. of Health Services Standards for other situations and additional alternatives.
2. Plans shall reference this Standard for specific locations and shall note the zone and construction requirement, or provide details on the plans.
3. Sanitary sewer services crossing under water mains shall maintain 4" minimum clearance.
4. All pipe materials and installation shall be per City of Lodi Design Standards and Construction Specifications.

Dr. KT	No.	Date	Revision	Appr.	Approved By:	 F. Wally Sandelin City Engineer R.C.E. 39895	12/28/00 Date	STD PLAN	
Ch. WS					 F. Wally Sandelin City Engineer R.C.E. 39895			12/28/00 Date	415A
Date 12/00									