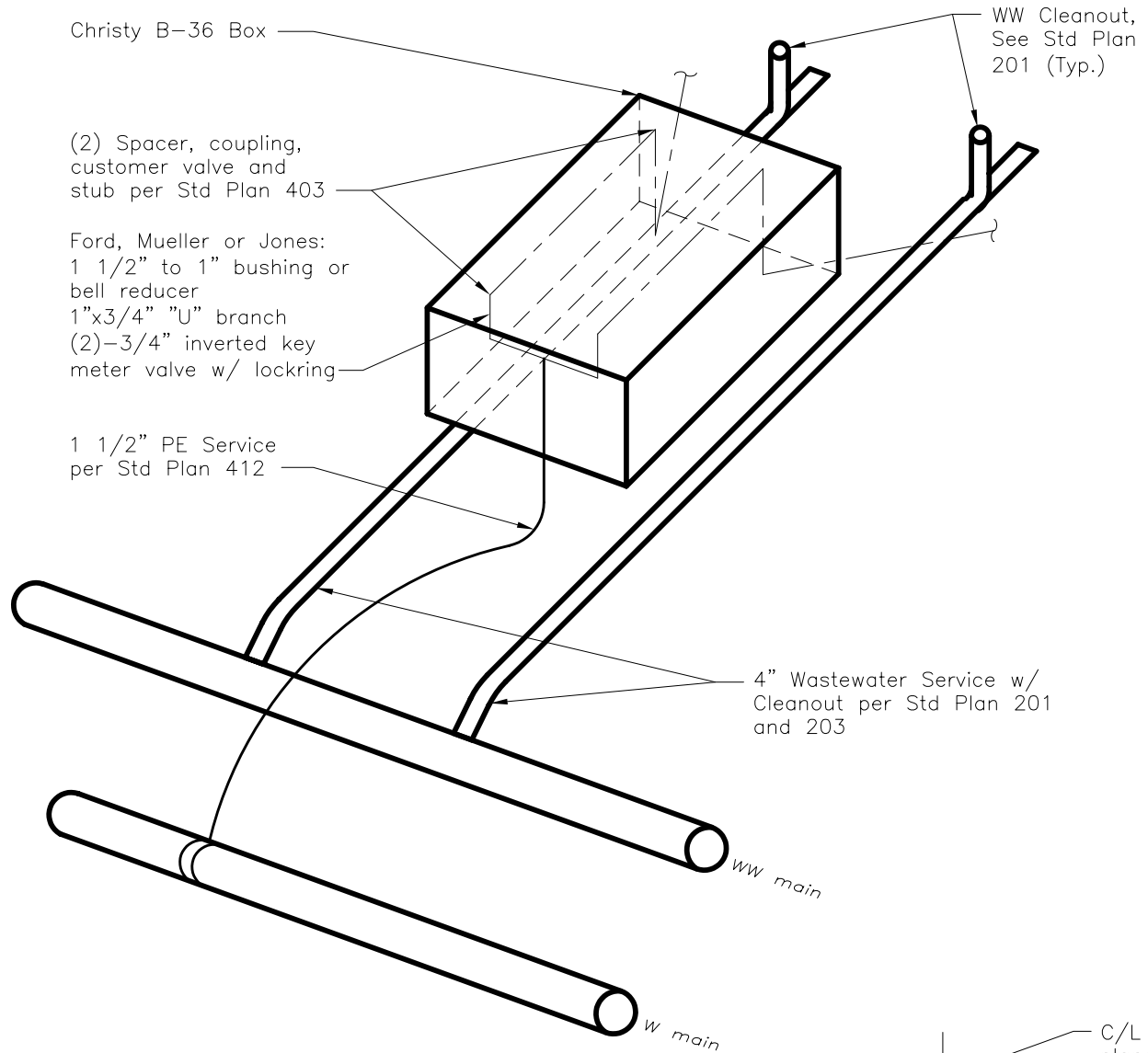




CITY OF LODI

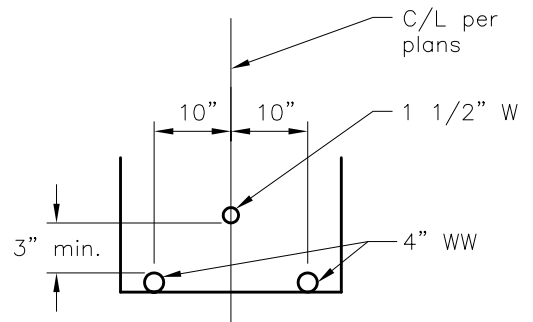
PUBLIC WORKS DEPARTMENT

Dual Water & Wastewater Service



Notes:

1. This Std plan is to be used primarily in residential subdivisions on lot lines opposite the utility joint trench. A utility coordination plan showing service locations is required.
2. See Std Plans 201, 203, 403, and 412 for materials and installation details.



Trench Section

Dr. KT	No.	Date	Revision	Appr.	Approved By:	STD PLAN
Ch. WS					<i>F. Wally Sandelin</i>	414
Date 12/00					F. Wally Sandelin City Engineer R.C.E. 39895	12/28/00 Date