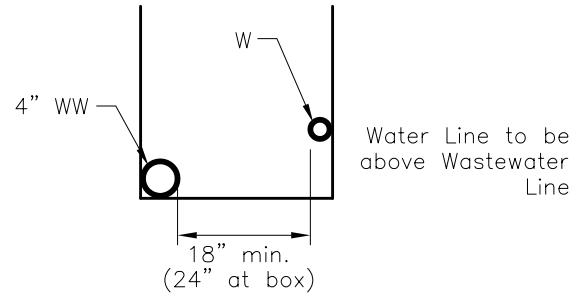
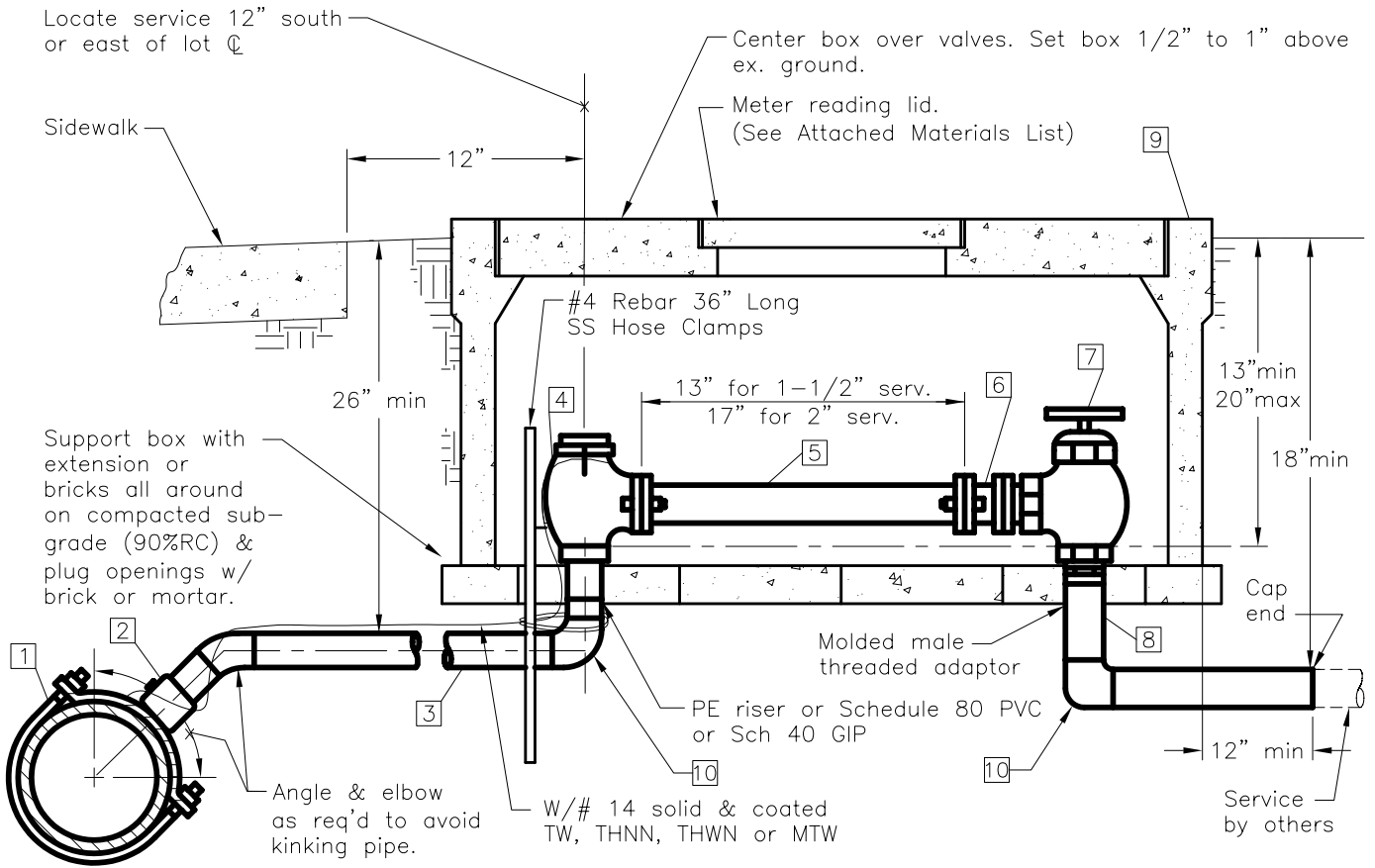




CITY OF LODI

PUBLIC WORKS DEPARTMENT

1-1/2" & 2" Water Service



Trench Section

Notes:

- Maintain 24" clearance between tap and any coupling, fitting or adjacent tap. Plastic services shall be installed with slack in the line. If the service is installed in the same trench as sanitary service, the water service shall be installed without splices and the trench section shown applies:
- S.S. liners required on PE pipe fittings.
- Backfill shall conform to Std Plan 501.

Dr.	No.	Date	Revision	Appr.	Approved By:	
KT	1	9/03	ADDED END CAP		<i>F. Wally Sandelin</i> F. Wally Sandelin City Engineer R.C.E. 39895	2/2/05 Date
WS	2	2/04	REVISED PAGE 4			
	3	2/05	REVERSED TRENCH SECTION			
Date	12/00					

STD PLAN
412