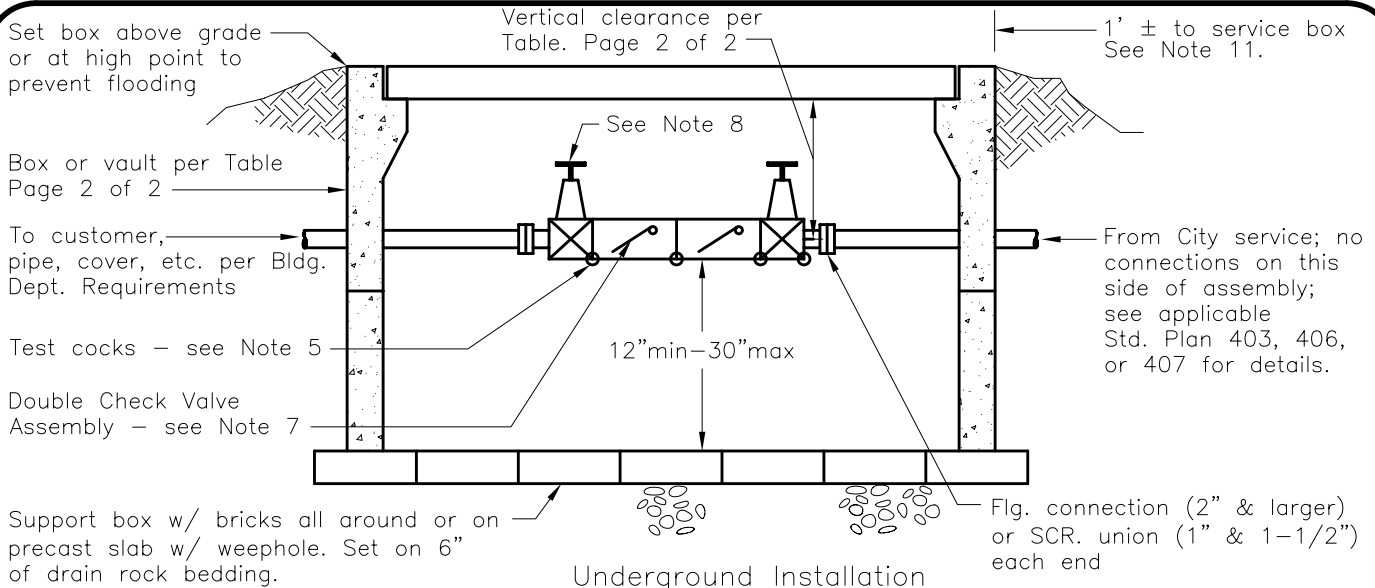




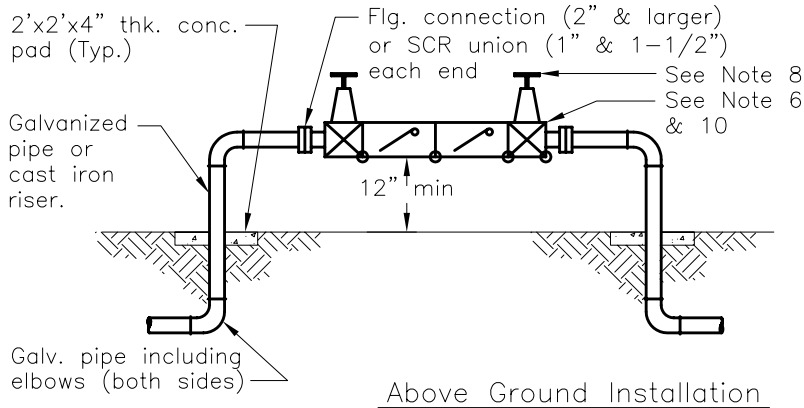
CITY OF LODI

PUBLIC WORKS DEPARTMENT

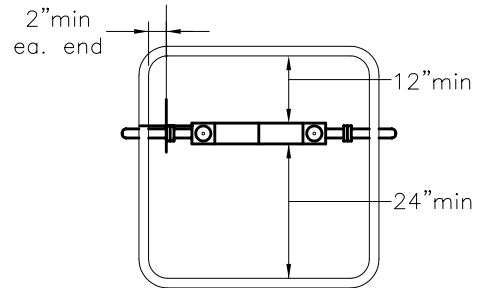
Double Check Valve Assembly



Underground Installation



Above Ground Installation



Plan

Notes:

1. It is the customer's responsibility to have the assembly tested prior to acceptance and annually by a State Certified Backflow Prevention Tester and report the results to the Public Works Department.
2. Plug all openings in box.
3. Traffic lids shall be used where applicable.
4. Vertical clearance may be increased for OS&Y valves.
5. Offset box over assembly to provide testing clearance per plan.
6. Assembly installed above ground may be enclosed with clearances similar to underground installation.
7. Use FEBCO 850 or approved equal per State Standards.
8. Valve handles may be chained & padlocked for security.
9. This plan for domestic service only. Design for fire service applications to have approval of Public Works Director and Fire Marshal.
10. Install guard posts where device is installed in paved areas accessible to traffic or in planters less than 3' behind the curb or when directed by City.
11. Locate immediately downstream of water service box.

Sheet 1 of 2

Dr. KT	No. 1	Date 2/04	Revision REVISED MODEL NUMBER ON NOTE #7	Appr.	Approved By: <i>F. Wally Sandelin</i> F. Wally Sandelin City Engineer R.C.E. 39895	2/12/04 Date	STD PLAN 411
Ch. WS							
Date 12/00							