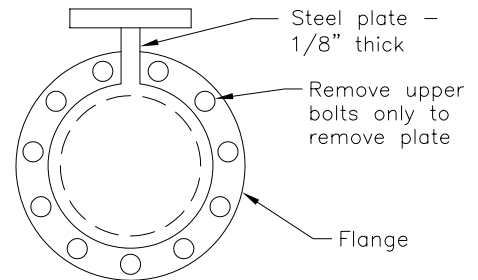
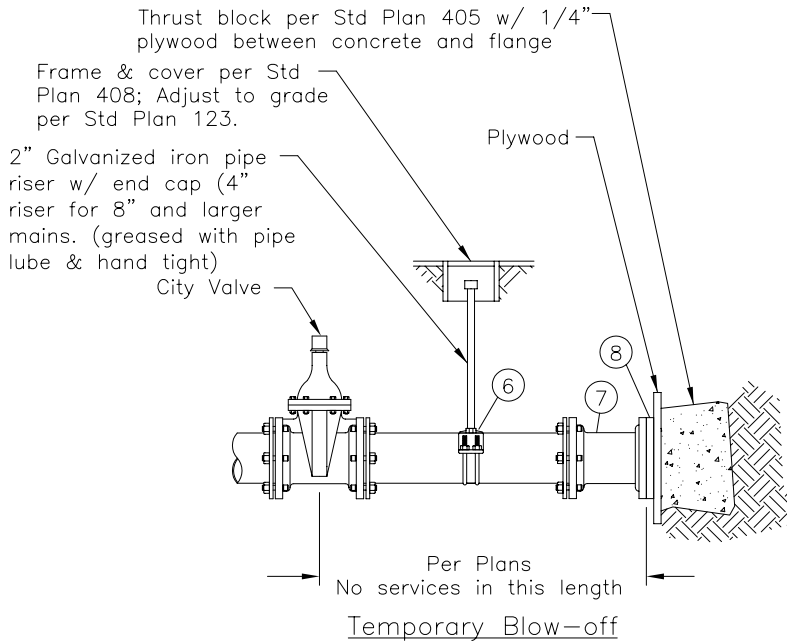




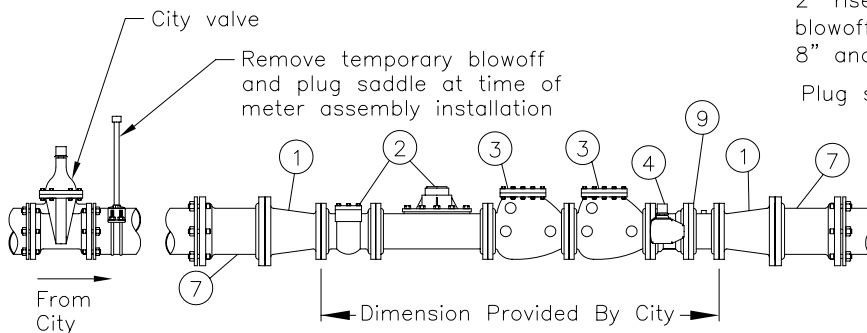
CITY OF LODI

PUBLIC WORKS DEPARTMENT

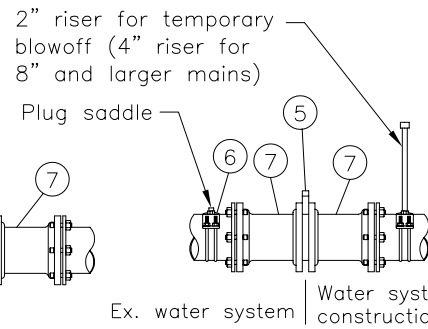
Temporary Water Blow-off and Connection Details



Removable Steel Plate



Detail A: Temporary Connection with Meter Assembly



Detail B: Temporary Connection without Meter Assembly

Notes:

1. The Contractor shall not operate any City valves. 24 hours notice is required for operation by City.
2. All connections to the existing system shall be made per Details A or B. Upon acceptance of the new system, the Contractor shall remove the riser, plug the saddles and remove the steel plate. Contractor shall also remove the meter assembly and install a flanged spool. Meter assembly shall be returned to the City.
3. Contractor shall supply and install reducers on meter assembly where main is larger than 6".
4. City shall furnish meter assembly upon receipt of deposit. Meter assembly to be installed by Contractor.

| | | | | | | | | | | | |
|--------|-----|------|---------------------|-------|--|--|----------------|----------------|------------|--|--|
| Dr. SN | No. | Date | Revision | Appr. | Approved By: | F. Wally Sandelin City Engineer R.C.E. 39895 | 2/2/05 Date | STD PLAN | | | |
| Ch. WS | 1 | 9/03 | REDRAWN | | F. Wally Sandelin City Engineer R.C.E. 39895 | | | 2/2/05 Date | 409 | | |
| | 2 | 2/05 | REVISED METER SPOOL | | | | | | | | |
| Date | | | ASSEMBLY DIMENSION | | | | | | | | |
| 02/02 | | | | | | | | | | | |