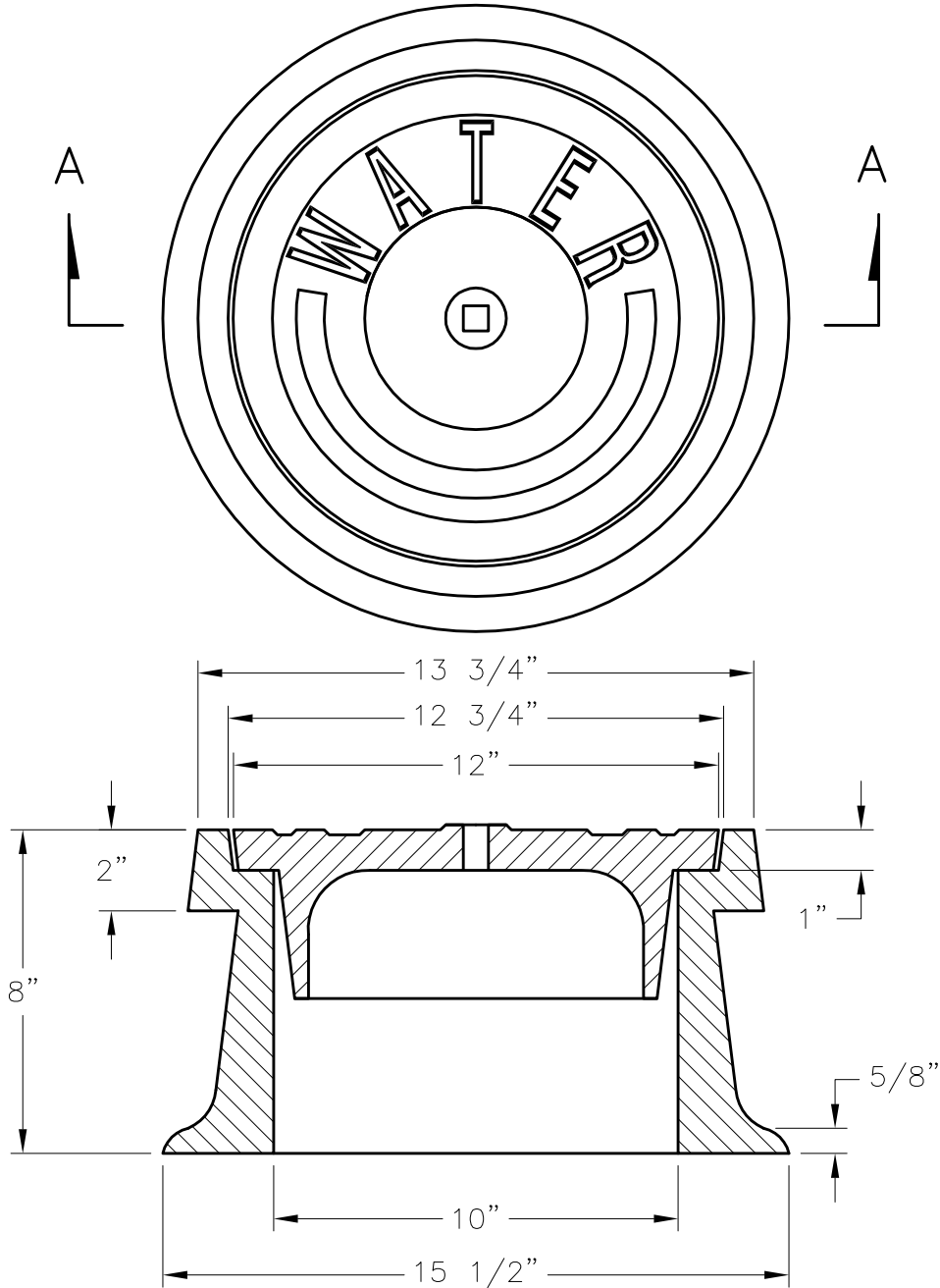




CITY OF LODI

PUBLIC WORKS DEPARTMENT

Water Valve Frame & Cover



Section A-A

Notes:

1. Frame - Wt 85 Lbs.
2. Cover - Wt 40 Lbs.
3. Material - Cast Iron
4. Castings shall be dipped in black, bituminous paint.
5. Frame and cover must be H-20 wheel loading rated.

Dr.	No.	Date	Revision	Appr.	Approved By:	STD PLAN
KT					 F. Wally Sandelin City Engineer R.C.E. 39895	408
Ch.				5/28/08		
Date				Date		
7/08						