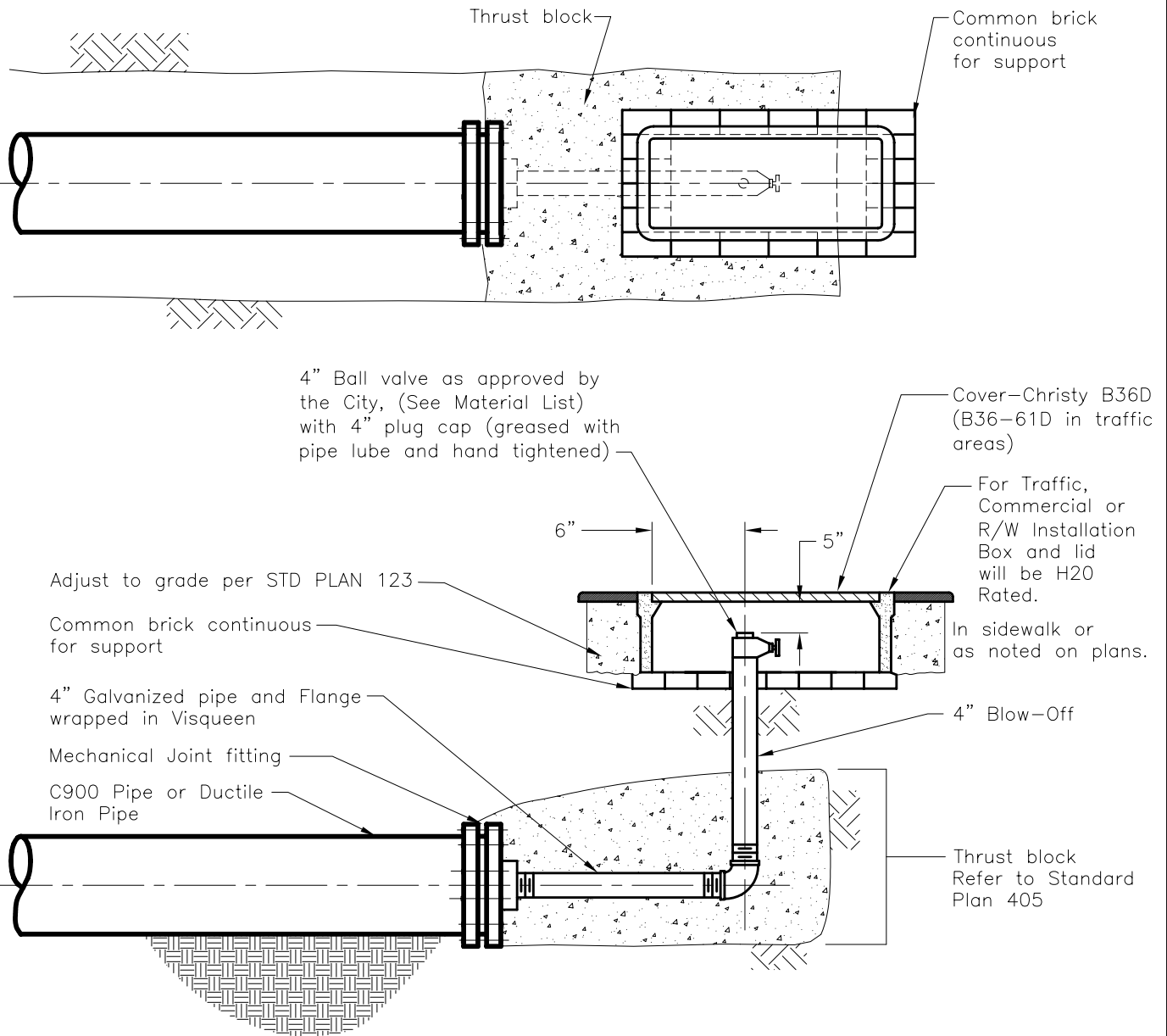




# CITY OF LODI

PUBLIC WORKS DEPARTMENT

## Water Blow-off Permanent



Notes:

1. No services within 3' of blow-off.

Sheet 1 of 2

Dr.	KT	No.	Date	Revision	Appr.	Approved By:	STD PLAN
Ch.	WS	1	9/03	REVISED APPROVED BALL VALVE		<i>F. Wally Sandelin</i>	404
		2	2/05	ADDED PLUG FOR BALL VALVE			
Date	12/00					F. Wally Sandelin City Engineer R.C.E. 39895	2/2/05 Date