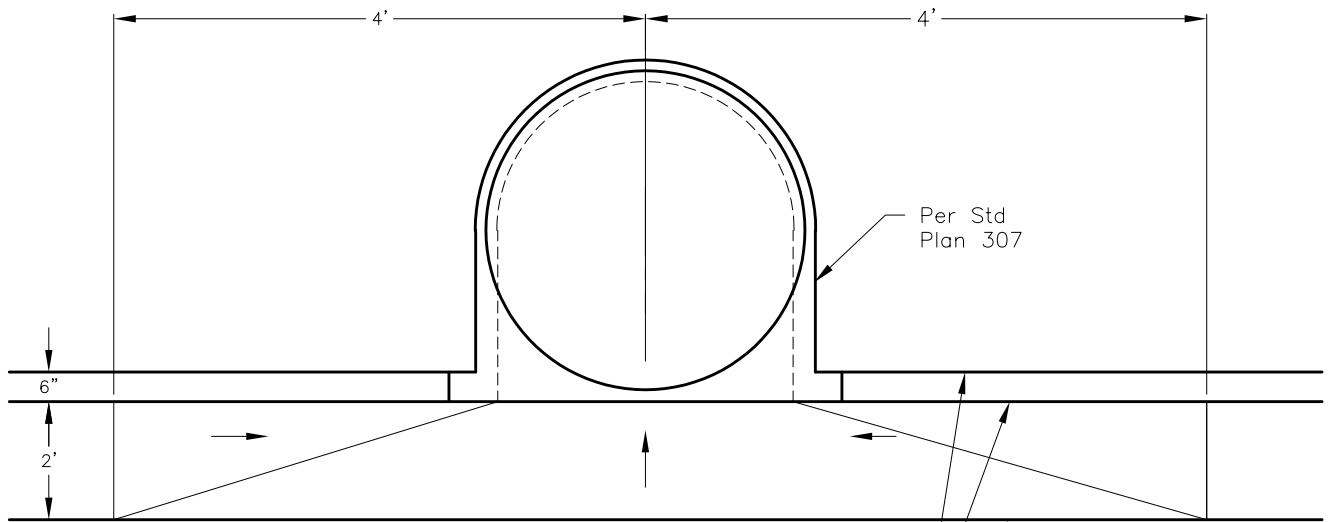


Left side for  
4-1/2" Curb Height

Gutter Transition Detail

Right side for  
6" Curb Height



Plan View

Back of Curb  
Face of Curb  
Lip of Gutter

Dr. KT	No.	Date	Revision	Appr.	Approved By:	STD PLAN
Ch. WS					<i>F. Wally Sandelin</i>	314
Date 12/00					12/28/00 City Engineer R.C.E. 39895	Date