



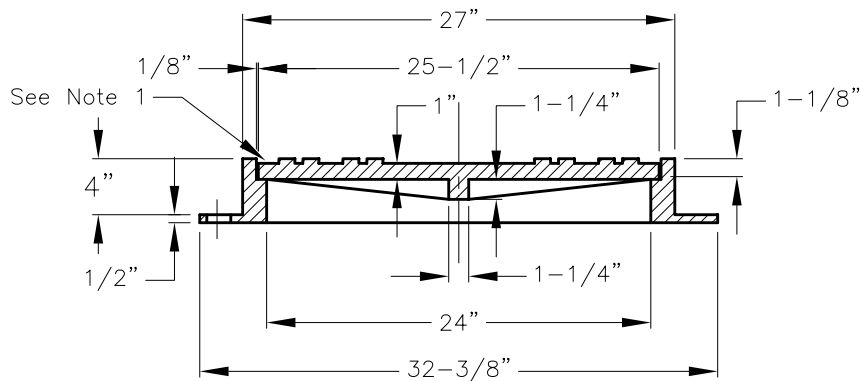
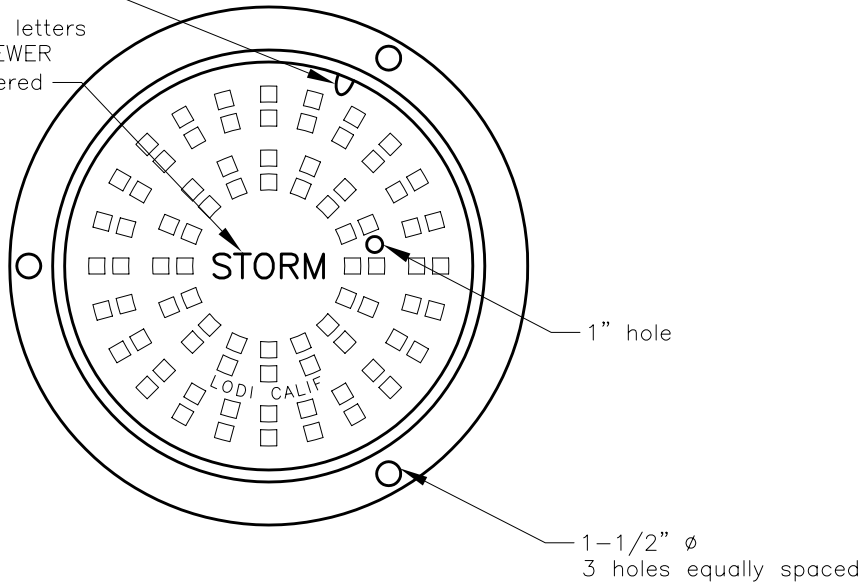
CITY OF LODI

PUBLIC WORKS DEPARTMENT

Manhole Assembly (24")

Side pick hole
1"x1-1/4"

STORM 1-1/2" letters
or SANITARY SEWER
1" letters centered



Notes:

1. Frame—Approx. wt. 140 lbs.
2. Cover—Approx. wt. 136 lbs.
3. Manhole cover shall be marked "STORM" or "SANITARY SEWER" as appropriate.
4. Material—Cast Iron per ASTM A-48 Class 30
5. See Std. Plan 123 for adjustment to grade.

Dr.	No.	Date	Revision	Appr.	Approved By:	STD PLAN
KT					<i>F. Wally Sandelin</i>	
Ch.	WS				F. Wally Sandelin City Engineer R.C.E. 39895	
Date					12/28/00 Date	
12/00						309